

# PRODUCT INFORMATION PACKET



Model No: 2743  
Catalog No: 2743  
1/8 HP OEM Replacement Motor, 1650 RPM, 200-230 Volts, 42 Frame, TEAO  
HVAC/R OEM Replacement Motors



Regal and Genteq are trademarks of Regal Beloit Corporation or one of its affiliated companies.  
©2019 Regal Beloit Corporation, All Rights Reserved. MC017097E





**Nameplate Specifications**

Output HP	1/8 Hp	Frequency	60 Hz
Voltage	200-230 V	Current	0.83 A
Speed	1650 rpm	Service Factor	1
Phase	1	Duty	Continuous Air Over
Insulation Class	B	Frame	42
Enclosure	Totally Enclosed Air Over	Thermal Protection	Thermally Protected
Ambient Temperature	40 °C	UL	Recognized
CSA	Y	CE	N

**Technical Specifications**

Electrical Type	Permanent Split Capacitor	Poles	4
Rotation	Counterclockwise	Mounting	Round
Motor Orientation	Horizontal	Drive End Bearing	Sleeve
Opp Drive End Bearing	Sleeve	Frame Material	Rolled Steel
Shaft Type	Flat	Overall Length	6.09 in
Frame Length	3.16 in	Shaft Diameter	0.500 in
Shaft Extension	2.00 in		

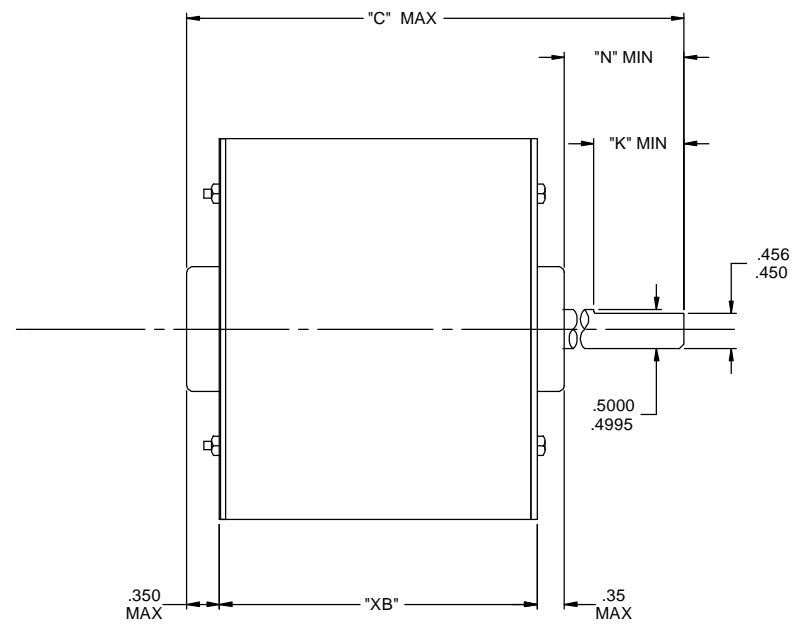
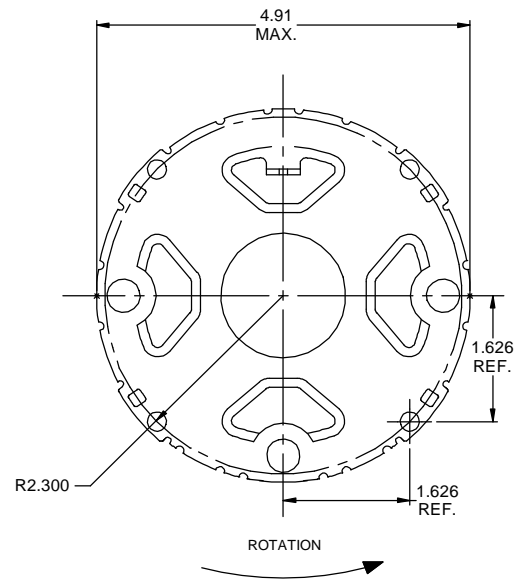
This is an uncontrolled document once printed or downloaded and is subject to change without notice. Date Created:25/10/2019

RBC PROPRIETARY AND CONFIDENTIAL INFORMATION  
 This document is the property of REGAL BELOIT CORPORATION ("RBC") including its subsidiaries and divisions and contains proprietary information of RBC. This document is loaned on the express condition that neither it nor the information contained therein shall be disclosed to others without the express written consent of RBC, and that the information shall be used by the recipient only as approved expressly by RBC. This document shall be returned to RBC upon its request. This document may be subject to certain restrictions under U.S. export control laws and regulations.

ENCLOSURES	
END SHIELDS:	O.E.: CLOSED P.E.: CLOSED
SHELL:	O.E.: CLOSED P.E.: CLOSED

NAMEPLATE DATA	
MODEL	5KCP29BK8219S
CUST P/N	STOCK NO 2743
HP	1/8
RPM	1650
VOLTS	200-230
HZ	60
SPEEDS	1
AMPS	0.83
CAP REQ'D-1	4.00/370
CAP REQ'D-2	N/R
CONN DRW	24X327082
ROTATION	CCW
BEARING	SLEEVE

LEAD	CONNECTION	COLOR	EXIT TYPE	EXIT LOC	GAGE	MATERIAL	WALL THICKNESS	LENGTH	TERMINATION
1	COMMON	PURPLE	ES LEAD HOLE	3:00	18	THERMO	4/64	35.50	.25 FQC
2	HIGH	BLACK	ES LEAD HOLE	3:00	18	THERMO	4/64	35.50	.25 FQC
3	CAP	BROWN	ES LEAD HOLE	3:00	18	THERMO	4/64	35.50	.25 FQC
4	GRD LD	GRN/YEL	CSCREW NUT	4:00	18	THERMO	2/64	9.00	.25 EYELET



**SPECIAL FEATURES**

DUST AND WATER SEAL ON PE

"C"	"N"	"K"	"XB"
6.14	2.00	1.25	3.26

TOLERANCES UNLESS SPECIFIED		REGAL BELOIT CORPORATION		DRAWN
DEC	INCHES			GFS 9/28/12
X	±.1			CHK
XX	±.01			TITLE
XXX	±.005			29 FR OUTLINE
00	DRAWN IN SW	GFS 9/28/12	GFS XXXX ±.0005	MATL
NO	REVISION	BY & DATE	CHK LANG ±1/2"	FINISH
THIRD ANGLE PROJECTION		RFP		PREV
		NETWORK FILE NAME		5KCP29BK8219S
				SIZE
				B
				DRAWING NO
				5KCP29BK8219S
				REV
				00

**RBC PROPRIETARY STATEMENT**

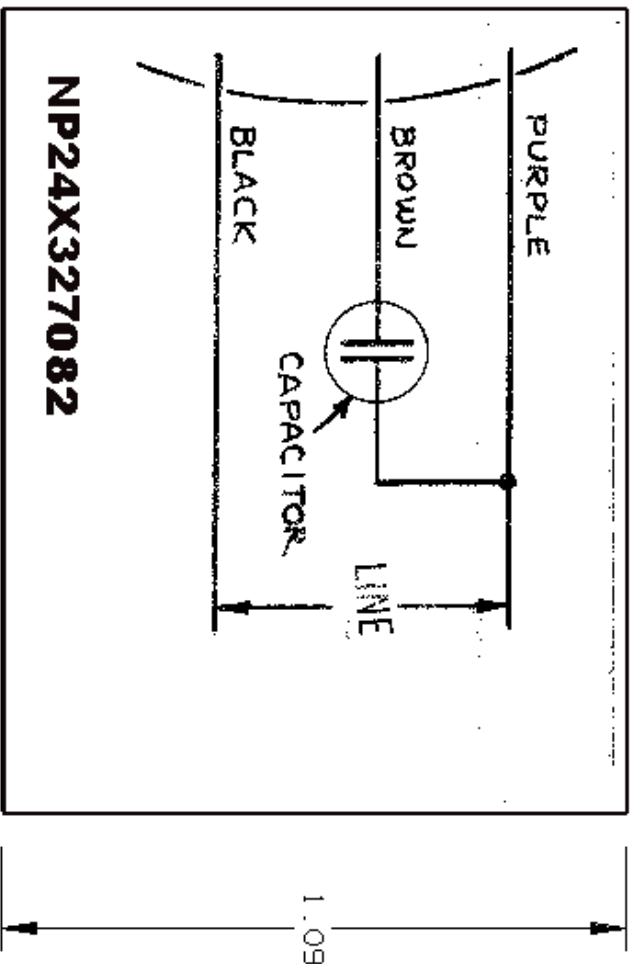
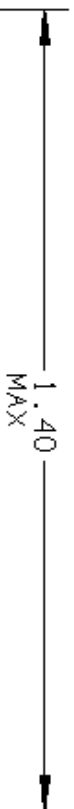
The document is the property of REGAL-BELOIT Corporation ("RBC"), including its subsidiaries and divisions and contains proprietary information of RBC. The document is loaned on the express condition that neither it nor the information contained therein shall be disclosed to others without the express written consent of RBC and that the information shall be used by the recipient only as approved expressly by RBC. The document shall be returned to RBC upon its request. The document may be subject to certain restrictions under the U.S. export control law and regulations.

REV	DESCRIPTION
1	Convert to RBC Format JAR 8-2005

**REV1510NS**

DESCRIPTION

**1 Convert to RBC Format JAR 8-2005**



**TYPE FACE:** COLORS OR NUMBERS DENOTING LEAD IDENTIFICATION AND N.P. NUMBER ARE TO BE 18 POINT NEWS GOTHIC CONDENSED. OTHER INFORMATION SHOULD BE 18 POINT IF SPACE ALLOWS, OTHERWISE USE 14 POINT.

**MATERIALS:** 4 MIL WHITE VINYL ADHESIVE STOCK GE SPEC 450FG41-S1

BLACK INK GE SPEC A50FM448

**NOTE:** THE BOX LINES AND DIMENSIONS REPRESENT THE SIZE OF THE TAPE TO BE USED. DO NOT INCLUDE THESE IN STAMP FORMAT.



**REGAL**  
BELOIT  
REGAL-BELOIT CORPORATION

**CONNECTION DIAGRAM**

**NP24X327082**

1 ISSUED  
**KRK 6-72**

SCALE  
NO

FILE:

DPC #