

PRODUCT INFORMATION PACKET



Model No: 2S004
Catalog No: 2S004
1/6 HP OEM Replacement Motor, 1625 RPM, 208-230 Volts, 42 Frame, TEAO
HVAC/R OEM Replacement Motors



Regal and Genteq are trademarks of Regal Beloit Corporation or one of its affiliated companies.
©2019 Regal Beloit Corporation, All Rights Reserved. MC017097E





Nameplate Specifications

Output HP	1/6 Hp	Frequency	60 Hz
Voltage	208-230 V	Current	0.98 A
Speed	1625 rpm	Service Factor	1
Phase	1	Duty	Continuous Air Over
Insulation Class	B	Frame	42
Enclosure	Totally Enclosed Air Over	Thermal Protection	Thermally Protected
Ambient Temperature	40 °C	UL	Recognized
CSA	Y	CE	N

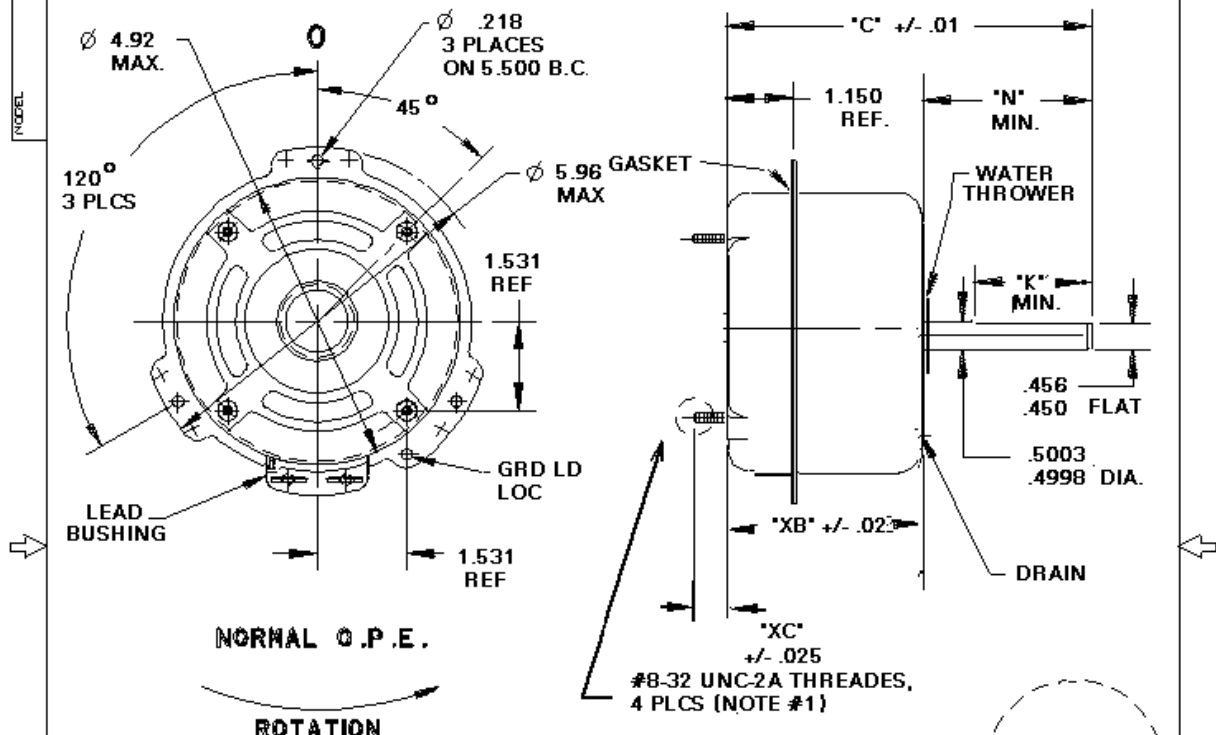
Technical Specifications

Electrical Type	Permanent Split Capacitor	Poles	4
Rotation	Counterclockwise	Mounting	Extended Studs
Motor Orientation	Vertical Shaft Down	Drive End Bearing	Ball
Opp Drive End Bearing	Ball	Shaft Type	Flat
Overall Length	5.36 in	Shaft Diameter	0.500 in
Shaft Extension	2.000 in		

This is an uncontrolled document once printed or downloaded and is subject to change without notice. Date Created:25/10/2019

RBC PROPRIETARY STATEMENT
 This document is the property of REGAL-BELOIT Corporation ("RBC") including its subsidiaries and divisions and contains proprietary information of RBC. This document is loaned on the express condition that neither it nor the information contained here is to be disclosed to others without the express written consent of RBC, and that the information shall be used by the recipient only as approved expressly by RBC. This document shall be returned to RBC upon its request. This document may be subject to certain restrictions under the U.S. export control laws and regulations.

REVISIONS			
REV	DESCRIPTION	DATE	APPROVED



NOTE 1. (4) STUDS TO FIT INTO A GAGE WITH
 (4) .174 DIA. HOLES EQUALLY SPACED ON 4.330 B.C.

LEAD DESCRIPTION (3) #18 S'COND 4/64 THERMO 34" / 32" LONG W / .25 SQ PU, BA, BR OUT OPE LEAD BUSHING 180°	2.00	1.25	3.36	.585	5.36		
	N	K	XB	XC	C		
CAPACITOR: BY CUSTOMER							
END SHIELDS	O.E.	CLOSED	GROUND LEAD:		NONE		
	P.E.	CLOSED					
SPECIAL FEATURES	<p>REGAL-BELOIT CORPORATION FT. WAYNE, IN</p>						
FMF: DEF PUR MOTOR OUTLINE		MODEL 5KCP29BCA427 S				ISSUED G.SHONK DATE 9/25/08	SCALE .4

CAD NO. F29; VOLDM

CAD NO. F29; VOLDM

RBC PROPRIETARY STATEMENT

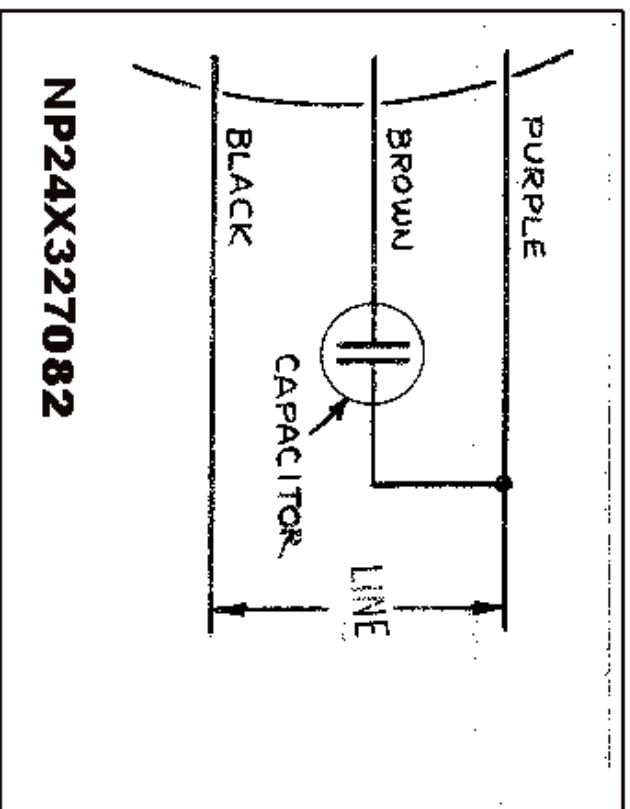
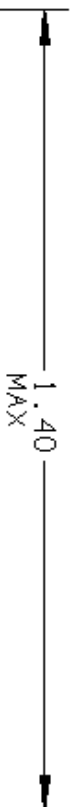
The document is the property of REGAL-BELOIT Corporation ("RBC"), including its subsidiaries and divisions and contains proprietary information of RBC. The document is loaned on the express condition that neither it nor the information contained therein shall be disclosed to others without the express written consent of RBC and that the information shall be used by the recipient only as approved expressly by RBC. The document shall be returned to RBC upon its request. The document may be subject to certain restrictions under the U.S. export control law and regulations.

REV	DESCRIPTION
1	Convert to RBC Format JAR 8-2005

REV1510NS

DESCRIPTION

1 Convert to RBC Format JAR 8-2005



TYPE FACE: COLORS OR NUMBERS DENOTING LEAD IDENTIFICATION AND N.P. NUMBER ARE TO BE 18 POINT NEWS GOTHIC CONDENSED. OTHER INFORMATION SHOULD BE 18 POINT IF SPACE ALLOWS, OTHERWISE USE 14 POINT.

MATERIALS: 4 MIL WHITE VINYL ADHESIVE STOCK GE SPEC 450FG41-S1

BLACK INK GE SPEC 450FM448

NOTE: THE BOX LINES AND DIMENSIONS REPRESENT THE SIZE OF THE TAPE TO BE USED. DO NOT INCLUDE THESE IN STAMP FORMAT.



REGAL
BELOIT
REGAL-BELOIT CORPORATION

CONNECTION DIAGRAM

NP24X327082

1 ISSUED
KRK 6-72

SCALE
NO

FILE:

DPC #