

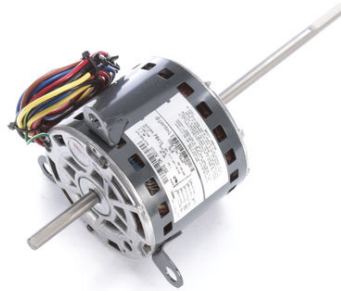
# PRODUCT INFORMATION PACKET



Model No: 3166

Catalog No: 3166

1/2 HP OEM Replacement Motor, 1075 RPM, 3 speed, 208-230 Volts, 48 Frame, Semi Enclosed  
HVAC/R OEM Replacement Motors



Regal and Genteq are trademarks of Regal Beloit Corporation or one of its affiliated companies.  
©2019 Regal Beloit Corporation, All Rights Reserved. MC017097E

The word "REGAL" is written in a bold, uppercase, sans-serif font. The text is white and is set against a dark gray, rectangular background that has a slight 3D effect with a shadow on the right side. The logo is positioned on a blue background with a halftone dot pattern that tapers to the right.

REGAL



**Nameplate Specifications**

|                     |               |                    |                     |
|---------------------|---------------|--------------------|---------------------|
| Output HP           | 1/2 Hp        | Frequency          | 60 Hz               |
| Voltage             | 208-230 V     | Current            | 2.90 A              |
| Speed               | 1075 rpm      | Service Factor     | 1                   |
| Phase               | 1             | Duty               | Continuous Air Over |
| Insulation Class    | B             | Frame              | 48                  |
| Enclosure           | Open Air Over | Thermal Protection | Thermally Protected |
| Ambient Temperature | 40 °C         | UL                 | Recognized          |
| CSA                 | Y             | CE                 | N                   |

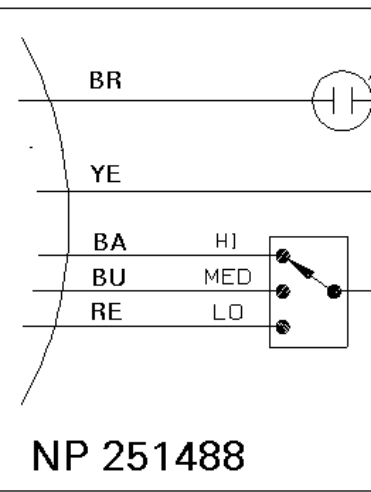
**Technical Specifications**

|                       |                           |                   |                |
|-----------------------|---------------------------|-------------------|----------------|
| Electrical Type       | Permanent Split Capacitor | Poles             | 6              |
| Rotation              | Counterclockwise          | Mounting          | Resilient Ring |
| Motor Orientation     | Horizontal                | Drive End Bearing | Sleeve         |
| Opp Drive End Bearing | Sleeve                    | Frame Material    | Rolled Steel   |
| Shaft Type            | Flat                      | Overall Length    | 15.25 in       |
| Frame Length          | 4.32 in                   | Shaft Diameter    | 0.500 in       |
| Shaft Extension       | 7.00 in                   |                   |                |

This is an uncontrolled document once printed or downloaded and is subject to change without notice. Date Created:25/10/2019

SIZE A  
DWG NO

1.40  
MAX



NOTE: THIS DRAWING WILL BE ELECTRIC MOTOR NAMEPLATE SYSTEM.

| UNLESS OTHERWISE SPECIFIED | SIGNATURES              | DATE           |
|----------------------------|-------------------------|----------------|
| DIMENSIONS ARE IN INCHES   | DRAWN <b>TGB ISSELL</b> | <b>3/25/68</b> |
| TOLERANCES ON:             | CHECKED                 |                |
| 2 PL DECIMALS ±            | ENGRD                   |                |
| 3 PL DECIMALS ±            | ISSUED                  |                |
| ANGLES ±                   |                         |                |
| FRACTIONS ±                |                         |                |
| MATERIAL:                  | CAD NO                  |                |
| APPLIED PRACTICES:         |                         |                |

F39: XNP8