

PRODUCT INFORMATION PACKET



Model No: 3204HS
Catalog No: 3204HS
1/4 HP Condenser Fan Motor, 825 RPM, 208-230 Volts, 48 Frame, TEAO
Condenser Fans Motors



Regal and Genteq are trademarks of Regal Beloit Corporation or one of its affiliated companies.
©2019 Regal Beloit Corporation, All Rights Reserved. MC017097E





Nameplate Specifications

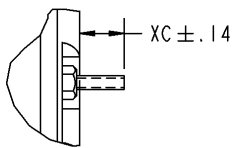
Output HP	1/4 Hp	Frequency	60 Hz
Voltage	208-230 V	Current	1.30 A
Speed	825 rpm	Service Factor	1
Phase	1	Duty	Continuous Air Over
Insulation Class	B	Frame	48
Enclosure	Totally Enclosed Air Over	Thermal Protection	Thermally Protected
Ambient Temperature	70 °C	UL	Recognized
CSA	Y	CE	N

Technical Specifications

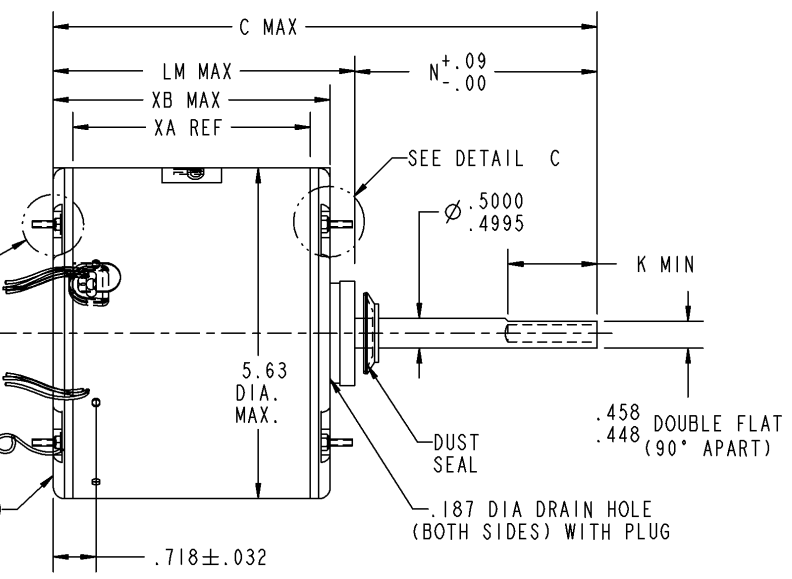
Electrical Type	Permanent Split Capacitor	Poles	8
Rotation	Reversible	Mounting	Round Belly Band
Motor Orientation	Any	Drive End Bearing	Ball
Opp Drive End Bearing	Ball	Frame Material	Rolled Steel
Shaft Type	Double Flat	Overall Length	11.96 in
Frame Length	4.32 in	Shaft Diameter	0.500 in
Shaft Extension	6.50 in	Thru-bolts Extension	1 in

This is an uncontrolled document once printed or downloaded and is subject to change without notice. Date Created:25/10/2019

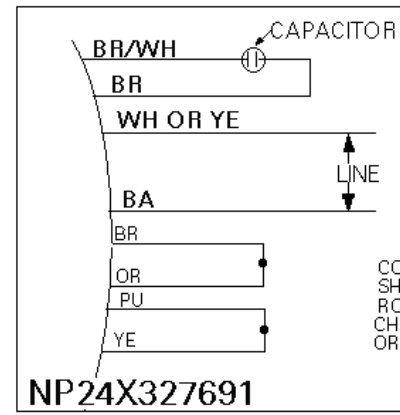
Uncontrolled Copy	SIZE	DRAWING NO.	REV	SHEET
	B	5KCP39JFBA83S	1	1
PROPRIETARY AND CONFIDENTIAL INFORMATION <small> This document is the property of REGAL BELOIT CORPORATION ("RBC") including its subsidiaries and divisions and contains proprietary information of RBC. It is loaned on the express condition that neither it nor the information contained therein shall be disclosed to others without the express consent of RBC, and that the information shall be used by the recipient only for the purposes expressly provided by RBC. This document shall be returned to RBC upon request. This document may be subject to certain restrictions under U.S. export control laws and regulations. </small>			REVISIONS	
REV.		DESCRIPTION	DATE	APPROVED
1		RELEASED TO PROD PER IS:08-0084	1/23/08	S.KARTHIK



DETAIL C
SCALE .800



1.00	.75
XC	XD



FILE:	DPC #
-------	-------