

PRODUCT INFORMATION PACKET



Model No: 3208
Catalog No: 3208
1/4 HP Unit Heater Motor, 1075 RPM, 115 Volts, 48 Frame, TEAO
Unit Heater Motors



Regal and Genteq are trademarks of Regal Beloit Corporation or one of its affiliated companies.
©2019 Regal Beloit Corporation, All Rights Reserved. MC017097E





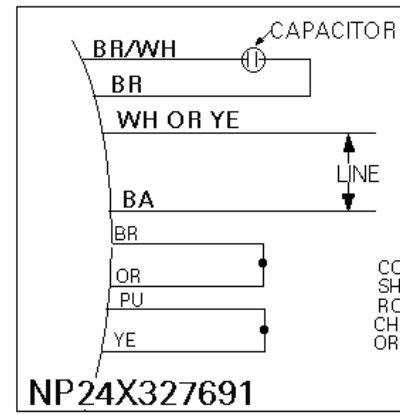
Nameplate Specifications

| | | | |
|---------------------|---------------------------|--------------------|---------------------|
| Output HP | 1/4 Hp | Frequency | 60 Hz |
| Voltage | 115 V | Current | 3.30 A |
| Speed | 1075 rpm | Service Factor | 1 |
| Phase | 1 | Duty | Continuous Air Over |
| Insulation Class | B | Frame | 48 |
| Enclosure | Totally Enclosed Air Over | Thermal Protection | Thermally Protected |
| Ambient Temperature | 40 °C | UL | Recognized |
| CSA | Y | CE | N |

Technical Specifications

| | | | |
|-----------------------|---------------------------|----------------------|-----------------|
| Electrical Type | Permanent Split Capacitor | Poles | 6 |
| Rotation | Reversible | Mounting | Resilient Rings |
| Motor Orientation | Any | Drive End Bearing | Ball |
| Opp Drive End Bearing | Ball | Frame Material | Rolled Steel |
| Shaft Type | Flat | Overall Length | 10.15 in |
| Frame Length | 3.82 in | Shaft Diameter | 0.500 in |
| Shaft Extension | 5.00 in | Thru-bolts Extension | 1.00 in |

This is an uncontrolled document once printed or downloaded and is subject to change without notice. Date Created:25/10/2019



| | |
|-------|-------|
| FILE: | DPC # |
|-------|-------|