

# PRODUCT INFORMATION PACKET



Model No: 3584  
Catalog No: 3584  
1/4 HP Fan & Blower Motor, 1075 RPM, 3 Speed, 208-230 Volts, 48 Frame, OAO  
Direct Drive Motors



Regal and Genteq are trademarks of Regal Beloit Corporation or one of its affiliated companies.  
©2019 Regal Beloit Corporation, All Rights Reserved. MC017097E





**Nameplate Specifications**

Output HP	1/4 Hp	Frequency	60 Hz
Voltage	208-230 V	Current	2.00 A
Speed	1075 rpm	Service Factor	1
Phase	1	Duty	Continuous Air Over
Insulation Class	B	Frame	48
Enclosure	Open Air Over	Thermal Protection	Thermally Protected
Ambient Temperature	40 °C	UL	Recognized
CSA	Y	CE	N

**Technical Specifications**

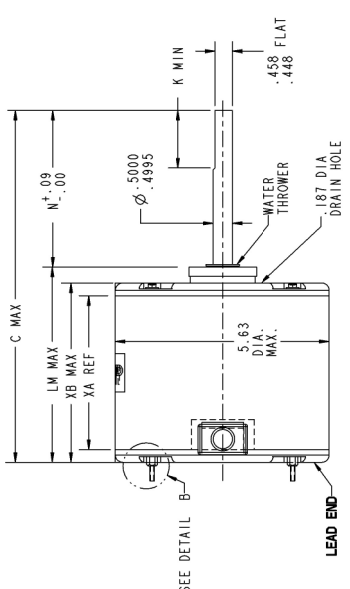
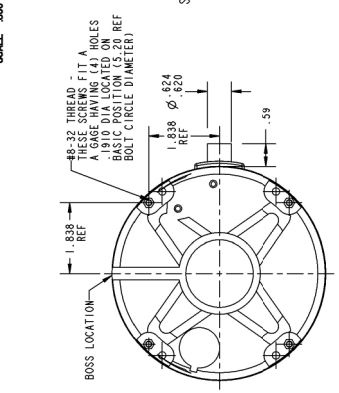
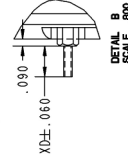
Electrical Type	Permanent Split Capacitor	Poles	6
Rotation	Reversible	Mounting	Resilient Rings
Motor Orientation	Any	Drive End Bearing	Sleeve
Opp Drive End Bearing	Sleeve	Frame Material	Rolled Steel
Shaft Type	Flat	Overall Length	9.14 in
Frame Length	3.57 in	Shaft Diameter	0.500 in
Shaft Extension	4.00 in	Thru-bolts Extension	0.71 in

This is an uncontrolled document once printed or downloaded and is subject to change without notice. Date Created:25/10/2019

REV		SHEET	
1	1	1	1
5KCP39EGY8235			
REV. DESCRIPTION		REVISIONS	
1	CPM ADDED: REL TO PROD IS 08-1083		DATE 03/16/08

**UNCONTROLLED COPY**  
 RBC PROPRIETARY AND CONFIDENTIAL INFORMATION  
 This information contains RBC's proprietary information and is intended for use only by the recipient. It is not to be distributed, copied, or otherwise used without the express written consent of RBC. This document shall be returned to RBC upon request. This document may be subject to certain restrictions under U.S. Export Control laws and regulations.

VENTILATION SYSTEM	
SHELL VENTS	CLOSED
ENDSHIELD (OPP. LEAD END)	CLOSED
ENDSHIELD (LEAD END)	CLOSED



NOTE:  
 1. DIMENSIONS SHOWN ARE NOMINAL UNLESS OTHERWISE SPECIFIED.

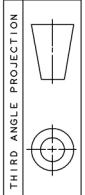
5.96	1.50	1.25	N/A	N/A	4.39
C	N	K	XN	XK	LM



TITLE  
**MOTOR OUTLINE**  
 (CUSTOMER NAME : DEF PUR )

MATERIAL DATA	
MODEL	5KCP39EGY8235
CUST P/N	STOCK NO 3805
IP	1/4
PH	1100
VOLTS	208-230
Hz	60
WINDINGS	1-40
WINDING CAPACITANCE	5.00µF±30VAC115
WINDING CAPACITANCE	N/R
CONV. LEV	NP24327056
ROTATION	CCW (VIEWED FROM LE)

LEAD EXIT THRU SHELL AT 90 +/ - 3 DEG



REV	DESCRIPTION	COLOR	DATE	BY	CHK	DATE	BY	CHK	
1	COMMON LEAD	YELLOW	3-00	18	THERMOPLASTIC	4/74	41-00	25	50C
2	CAPACITOR LEAD	BROWN	3-00	18	THERMOPLASTIC	4/74	41-00	25	50C
3	HIGH SPEED LEAD	BLACK	3-00	18	THERMOPLASTIC	4/74	41-00	25	50C

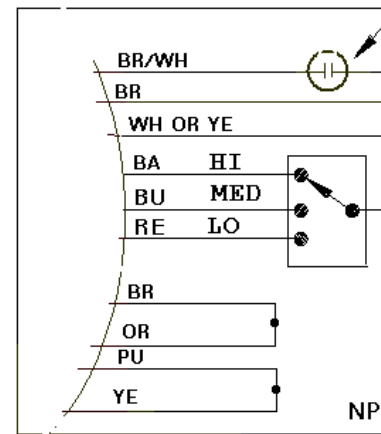
SIZE DRAWING  
 B  
 5KCP39EGY8235

SCALE: NO  
 (VIEWED FROM LE)

ISSUED: 9/20/07

SIZE A  
 2/16 NO

1.40  
 MAX



NOTE: THIS DRAWING WILL BE ELECTRIC MOTOR NAMEPLATE SYSTEM.

UNLESS OTHERWISE SPECIFIED	SIGNATURES	DATE
DIMENSIONS ARE IN INCHES	DRAWN	CAS 12/14/94
TOLERANCES ON:	CHECKED	
2 PL DECIMALS ±	ENG'D	
3 PL DECIMALS ±	ISSUED	
ANGLES ±		
FRACTIONS ±		
MATERIAL:	CAD NO	
APPLIED PRACTICES:		

F39: XNP8