

PRODUCT INFORMATION PACKET



Model No: 3672
Catalog No: 3672
1/4 HP Fan & Blower Motor, 1075 RPM, 3 Speed, 208-230 Volts, 48 Frame, OAO
Direct Drive Motors



Regal and Genteq are trademarks of Regal Beloit Corporation or one of its affiliated companies.
©2019 Regal Beloit Corporation, All Rights Reserved. MC017097E





Nameplate Specifications

| | | | |
|---------------------|---------------|--------------------|---------------------|
| Output HP | 1/4 Hp | Frequency | 60 Hz |
| Voltage | 208-230 V | Current | 1.70 A |
| Speed | 1075 rpm | Service Factor | 1 |
| Phase | 1 | Duty | Continuous Air Over |
| Insulation Class | A | Frame | 48 |
| Enclosure | Open Air Over | Thermal Protection | Thermally Protected |
| Ambient Temperature | 40 °C | UL | No |
| CSA | N | CE | N |

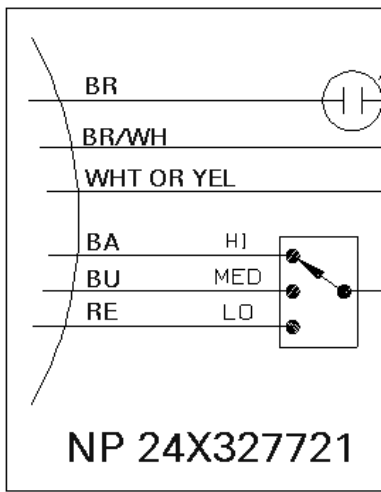
Technical Specifications

| | | | |
|-----------------------|---------------------------|-------------------|----------------|
| Electrical Type | Permanent Split Capacitor | Poles | 6 |
| Rotation | Counterclockwise | Mounting | Resilient Ring |
| Motor Orientation | Horizontal | Drive End Bearing | Sleeve |
| Opp Drive End Bearing | Sleeve | Frame Material | Rolled Steel |
| Shaft Type | Flat | Overall Length | 20.00 in |
| Frame Length | 3.32 in | Shaft Diameter | 0.500 in |
| Shaft Extension | 8.00 in | | |

This is an uncontrolled document once printed or downloaded and is subject to change without notice. Date Created:25/10/2019

SIZE A
DWG NO

1.40
MAX



NOTE: THIS DRAWING WILL BE ELECTRIC MOTOR NAMEPLATE SYSTEM.

| UNLESS OTHERWISE SPECIFIED | SIGNATURES | DATE |
|----------------------------|-----------------------|-----------------|
| DIMENSIONS ARE IN INCHES | DRAWN CASCHUTT | 12/14/94 |
| TOLERANCES ON: | CHECKED | |
| 2 PL DECIMALS ± | ENGRG | |
| 3 PL DECIMALS ± | ISSUED | |
| ANGLES ± | | |
| FRACTIONS ± | | |
| MATERIAL: | CAD NO | |
| APPLIED PRACTICES: | | |

F39: XNP8