

# PRODUCT INFORMATION PACKET



Model No: 3725HS  
Catalog No: 3725HS  
1/8 HP Condenser Fan Motor, 825 RPM, 208-230 Volts, 48 Frame, TEAO  
Condenser Fans Motors



Regal and Genteq are trademarks of Regal Beloit Corporation or one of its affiliated companies.  
©2019 Regal Beloit Corporation, All Rights Reserved. MC017097E





**Nameplate Specifications**

Output HP	1/8 Hp	Frequency	60 Hz
Voltage	208-230 V	Current	0.85 A
Speed	825 rpm	Service Factor	1
Phase	1	Duty	Continuous Air Over
Insulation Class	B	Frame	48
Enclosure	Totally Enclosed Air Over	Thermal Protection	Thermally Protected
Ambient Temperature	70 °C	UL	Recognized
CSA	Y	CE	N

**Technical Specifications**

Electrical Type	Permanent Split Capacitor	Poles	8
Rotation	Reversible	Mounting	Round Belly Band
Motor Orientation	Any	Drive End Bearing	Sleeve
Opp Drive End Bearing	Sleeve	Frame Material	Rolled Steel
Shaft Type	Double Flat	Overall Length	11.21 in
Frame Length	3.57 in	Shaft Diameter	0.500 in
Shaft Extension	6.50 in	Thru-bolts Extension	0.75 in

This is an uncontrolled document once printed or downloaded and is subject to change without notice. Date Created:25/10/2019

NAME: 100003107 OBJECT: 5KCP39DFAD06S DATE: 03-Jan-08 9:34:23

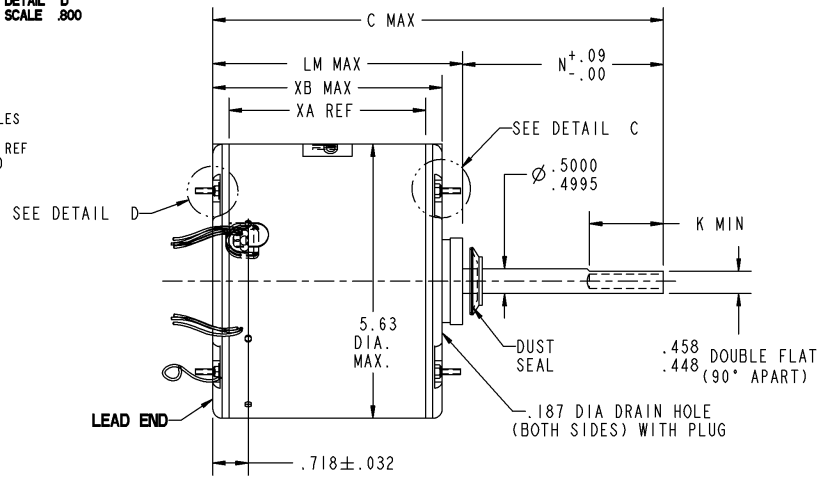
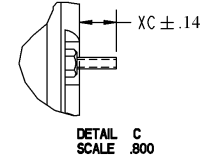
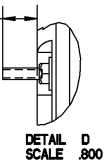
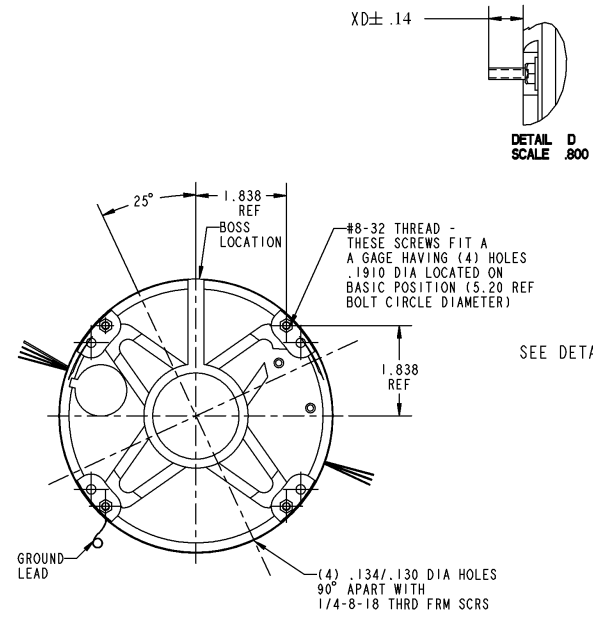
SIZE DRAWING NO. **5KCP39DFAD06S** REV 1 SHEET 1

VENTILATION SYSTEM	
SHELL VENTS	CLOSED
ENDSHIELD (OPP. LEAD END)	CLOSED
ENDSHIELD (LEAD END)	CLOSED

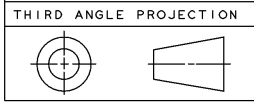
**RBC PROPRIETARY AND CONFIDENTIAL INFORMATION**

This document is the property of REGAL BELOIT CORPORATION ("RBC") including its subsidiaries and divisions and contains proprietary information of RBC. This document is loaned on the express condition that neither it nor the information contained therein shall be disclosed to others without the express written consent of RBC, and that the information shall be used by the recipient only as approved expressly by RBC. This document shall be returned to RBC upon its request. This document may be subject to certain restrictions under U.S. export control laws and regulations.

REVISIONS			
REV.	DESCRIPTION	DATE	APPROVED
1	RELEASED TO PROD PER IS:08-0008	1/3/08	S.KARTHIK



NOTE:  
1. DIMENSIONS SHOWN ARE NOMINAL UNLESS OTHERWISE SPECIFIED.



S/N	CONNECTION	COLOR	EXIT TYPE	EXIT LOC (OVERS/LB)	GAGE	MATERIAL	WALL THK	LENGTH	TERMINATION
1	COMMON LEAD	YELLOW	4-5 LD BUSHING	3:40	18	THERMOPLASTIC	4/64	48.00	.50 BWS
2	REV LEAD	YELLOW	2-3 LD BUSHING	9:40	18	VULKENE	2/64	4.00	MALE REVERSING PLUG
3	CAPACITOR LEAD	BRN/WHT	4-5 LD BUSHING	3:40	18	THERMOPLASTIC	4/64	48.00	.25 FOC
4	REV LEAD	ORANGE	2-3 LD BUSHING	9:40	18	VULKENE	2/64	4.00	MALE REVERSING PLUG
5	CAPACITOR LEAD	BROWN	4-5 LD BUSHING	3:40	18	THERMOPLASTIC	4/64	48.00	.25 FOC
6	REV LEAD	BROWN	2-3 LD BUSHING	9:40	18	VULKENE	2/64	4.00	FEMALE REVERSING PLUG
7	HIGH SPEED LEAD	BLACK	4-5 LD BUSHING	3:40	18	THERMOPLASTIC	4/64	48.00	.50 BWS
8	REV LEAD	PURPLE	2-3 LD BUSHING	9:40	18	VULKENE	2/64	4.00	FEMALE REVERSING PLUG
9	GROUND	GRN-YEL	CLAMPSCREW	7:30	18	THERMOPLASTIC	2/64	12.00	#10 EYELET

NAMEPLATE DATA	
MODEL	5KCP39DFAD06S
CUST P/N	STOCK NO 3725 HS
HP	1/8
RPM	825
VOLTS	208-230
HZ	60
* SPEEDS	1
AMPS	0.85
CAP RECD-1	5.00µfd/370Volts
CAP RECD-2	N/R
CONN DRW#	NP24X327691
ROTATION	CCW/CW (VIEWED FROM LEAD END)

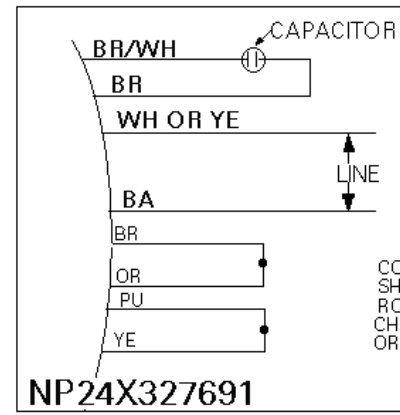
.75	.75						
XC	XD						
11.21	6.50	5.50	N/A	N/A	4.64	3.57	4.23
C	N	K	XN	XK	LM	XA	XB

REGAL-BELOIT CORPORATION  
FORTWAYNE, INDIANA

TITLE **MOTOR OUTLINE**  
(CUSTOMER NAME : DEF PUR)

SIZE DRAWING **5KCP39DFAD06S** REV 1

SCALE: NO ISSUED: 1/3/08 SHEET 1 of 1



FILE:	DPC #
-------	-------