

# PRODUCT INFORMATION PACKET



Model No: 3727HS  
Catalog No: 3727HS  
1/6 HP Condenser Fan Motor, 1075 RPM, 208-230 Volts, 48 Frame, TEAO  
Condenser Fans Motors



Regal and Genteq are trademarks of Regal Beloit Corporation or one of its affiliated companies.  
©2019 Regal Beloit Corporation, All Rights Reserved. MC017097E





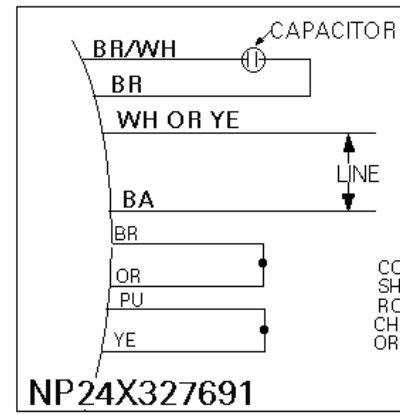
**Nameplate Specifications**

|                     |                           |                    |                     |
|---------------------|---------------------------|--------------------|---------------------|
| Output HP           | 1/6 Hp                    | Frequency          | 60 Hz               |
| Voltage             | 208-230 V                 | Current            | 1.00 A              |
| Speed               | 1075 rpm                  | Service Factor     | 1                   |
| Phase               | 1                         | Duty               | Continuous Air Over |
| Insulation Class    | B                         | Frame              | 48                  |
| Enclosure           | Totally Enclosed Air Over | Thermal Protection | Thermally Protected |
| Ambient Temperature | 70 °C                     | UL                 | Recognized          |
| CSA                 | Y                         | CE                 | N                   |

**Technical Specifications**

|                       |                           |                      |                  |
|-----------------------|---------------------------|----------------------|------------------|
| Electrical Type       | Permanent Split Capacitor | Poles                | 6                |
| Rotation              | Reversible                | Mounting             | Round Belly Band |
| Motor Orientation     | Any                       | Drive End Bearing    | Sleeve           |
| Opp Drive End Bearing | Sleeve                    | Frame Material       | Rolled Steel     |
| Shaft Type            | Double Flat               | Overall Length       | 10.96 in         |
| Frame Length          | 3.32 in                   | Shaft Diameter       | 0.500 in         |
| Shaft Extension       | 6.50 in                   | Thru-bolts Extension | 1 in             |

This is an uncontrolled document once printed or downloaded and is subject to change without notice. Date Created:25/10/2019



FILE:                      DPC #