

PRODUCT INFORMATION PACKET



Model No: 3905
Catalog No: 3905
1/4 HP OEM Replacement Motor, 1100 RPM, 208-230 Volts, 48 Frame, TEAO
HVAC/R OEM Replacement Motors



Regal and Genteq are trademarks of Regal Beloit Corporation or one of its affiliated companies.
©2019 Regal Beloit Corporation, All Rights Reserved. MC017097E





Nameplate Specifications

Output HP	1/4 Hp	Frequency	60 Hz
Voltage	208-230 V	Current	1.40 A
Speed	1100 rpm	Service Factor	1
Phase	1	Duty	Continuous Air Over
Insulation Class	B	Frame	48
Enclosure	Totally Enclosed Air Over	Thermal Protection	Thermally Protected
Ambient Temperature	40 °C	UL	Recognized
CSA	Y	CE	N

Technical Specifications

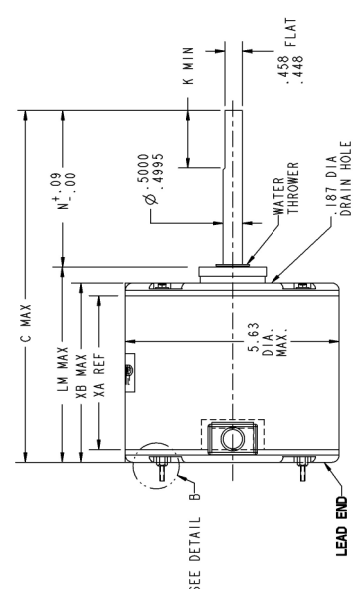
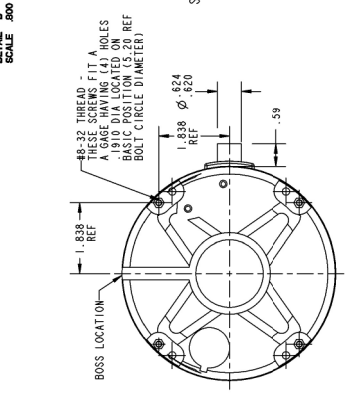
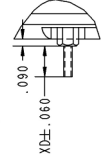
Electrical Type	Permanent Split Capacitor	Poles	6
Rotation	Clockwise	Mounting	Extended Studs
Motor Orientation	Vertical Shaft Down	Drive End Bearing	Sleeve
Opp Drive End Bearing	Sleeve	Frame Material	Rolled Steel
Shaft Type	Flat	Overall Length	5.96 in
Frame Length	3.32 in	Shaft Diameter	0.500 in
Shaft Extension	1.50 in		

This is an uncontrolled document once printed or downloaded and is subject to change without notice. Date Created:25/10/2019

REV		SHEET	
1	1	1	1
5KCP39EGY8235			
REV. DESCRIPTION		REVISIONS	
1	CPM ADDED: REL TO PROD IS 08-1083		DATE 03/16/08

UNCONTROLLED COPY
 RBC PROPRIETARY AND CONFIDENTIAL INFORMATION
 This information contains RBC's proprietary information and is intended for use only by the recipient. It is not to be distributed, copied, or otherwise used in any way without the express written consent of RBC. This document shall be returned to RBC upon request. This document may be subject to certain restrictions under U.S. Export Control laws and regulations.

VENTILATION SYSTEM	
SHELL VENTS	CLOSED
ENDSHIELD (OPP. LEAD END)	CLOSED
ENDSHIELD (LEAD END)	CLOSED



NOTE:
 1. DIMENSIONS SHOWN ARE NOMINAL UNLESS OTHERWISE SPECIFIED.

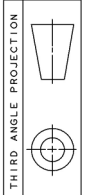
5.96	1.50	1.25	N/A	N/A	4.39
C	N	K	XN	XK	LM



TITLE
MOTOR OUTLINE
 (CUSTOMER NAME : DEF PUR)

MATERIAL DATA	
MODEL	5KCP39EGY8235
CUST P/N	STOCK NO 3805
IP	1/4
PH	1100
VOLTS	208-230
Hz	60
WINDINGS	80
WINDINGS	1.40
CAPac	5.00µF/370VAC115
CAPac	N/R
CONV. LEV	NP24327056
ROTATION	CCW (VIEWED FROM LE)

LEAD EXIT THRU SHELL AT 90 +/ - 3 DEG

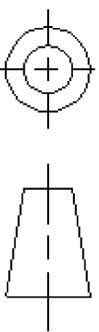


REV	DESCRIPTION	COLOR	DATE	BY	CHKD	DATE	BY	CHKD
1	COMMON LEAD	YELLOW	3-00			4/74	41.00	25.00C
2	CAPACITOR LEAD	BROWN	3-00			4/74	41.00	25.00C
3	HIGH SPEED LEAD	BLACK	3-00			4/74	41.00	25.00C

SIZE DRAWING
 B

SCALE:	NO
ISSUED:	9/20/07

5KCP39EGY8235



THIRD ANGLE PROJECTION

Uncontrolled Copy

REV1SIONS

REV

DESCRIPTION

DATE

APPROVED

1 CAS 2/11/99 ELECTRONIC FORMAT

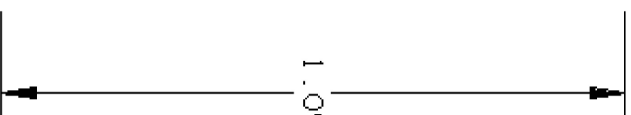
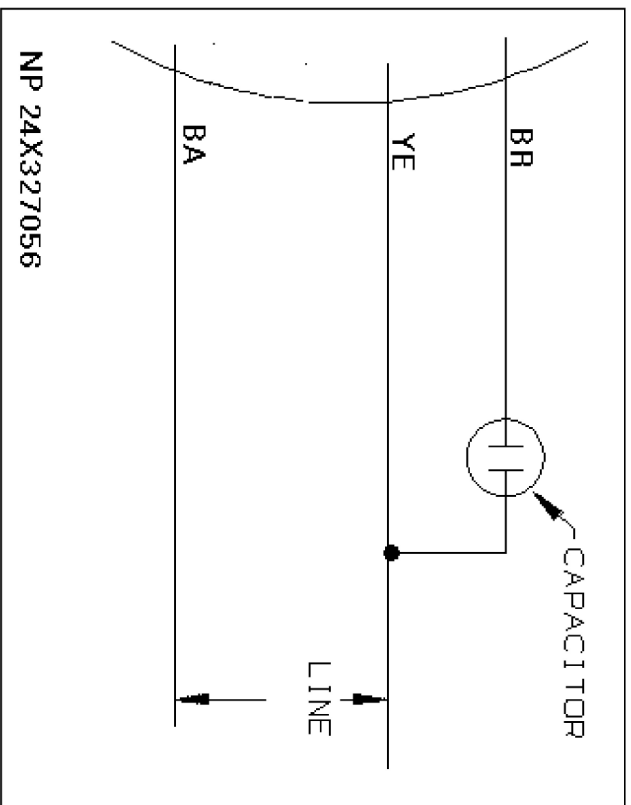
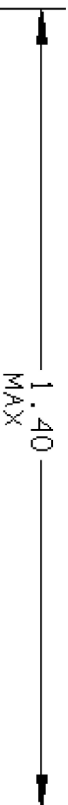
REV

SH

DWG NO NP 24X327056

SIZE A

CONFIDENTIAL AND PROPRIETARY
 This document is the property of General Electric Company, and contains proprietary and confidential information of the Motor Business Group (MBG). The document is loaned on the express condition that neither it nor the information contained therein shall be disclosed to others without the express consent of MBG and that the information shall be used by the recipient only as approved expressly by MBG. Also, the document shall be returned to MBG upon its request.



NOTE: THIS DRAWING WILL BE ELECTRONICALLY REPRODUCED BY THE HVAC FAN MOTOR NAMEPLATE SYSTEM.

UNLESS OTHERWISE SPECIFIED	SIGNATURES	DATE
DIMENSIONS ARE IN INCHES	DRAWN RL VETRECHT	4/3/1972
TOLERANCES ON:	CHECKED	
2 PL DECIMALS ±	ENGRG	
3 PL DECIMALS ±	ISSUED	
ANGLES ±		
FRACTIONS ±		
NAIBITAL:		



For Wayne, Indiana

NAMEPLATE LABEL

SIZE	FSCM NO	DWG NO	SHEET
A		NP 24X327056	1 OF 1
SCALE	3		

APPLIED PRACTICES:
F39: XNP8

DISTR TO