

PRODUCT INFORMATION PACKET



Model No: 3914
Catalog No: 3914
1/4 HP OEM Replacement Motor, 830 RPM, 208-230 Volts, 48 Frame, TEAO
HVAC/R OEM Replacement Motors



Regal and Genteq are trademarks of Regal Beloit Corporation or one of its affiliated companies.
©2019 Regal Beloit Corporation, All Rights Reserved. MC017097E





Nameplate Specifications

Output HP	1/4 Hp	Frequency	60 Hz
Voltage	208-230 V	Current	1.50 A
Speed	830 rpm	Service Factor	1
Phase	1	Duty	Continuous Air Over
Insulation Class	B	Frame	48
Enclosure	Totally Enclosed Air Over	Thermal Protection	Thermally Protected
Ambient Temperature	40 °C	UL	Recognized
CSA	Y	CE	N

Technical Specifications

Electrical Type	Permanent Split Capacitor	Poles	8
Rotation	Counterclockwise	Mounting	Extended Studs
Motor Orientation	Vertical Shaft Down	Drive End Bearing	Sleeve
Opp Drive End Bearing	Sleeve	Frame Material	Rolled Steel
Shaft Type	Flat	Overall Length	7.96 in
Frame Length	4.32 in	Shaft Diameter	0.500 in
Shaft Extension	2.50 in		

This is an uncontrolled document once printed or downloaded and is subject to change without notice. Date Created:25/10/2019

NAME: 100003107 OBJECT: 5KCP39JFY840S DATE: 15-Nov-07 15:51:08

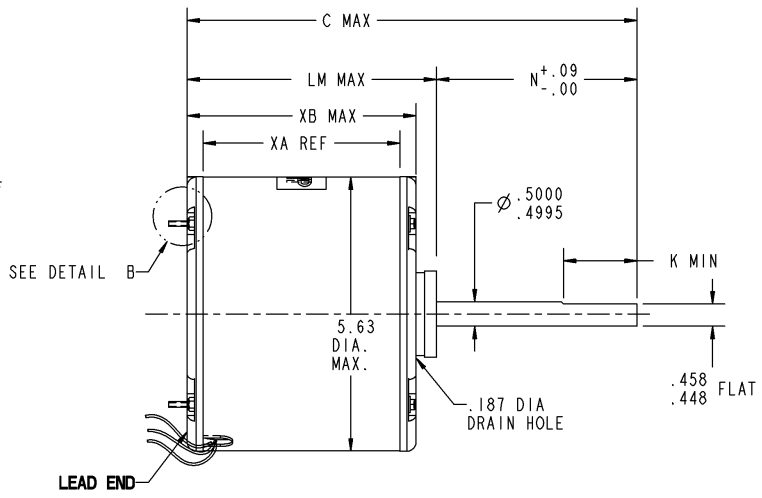
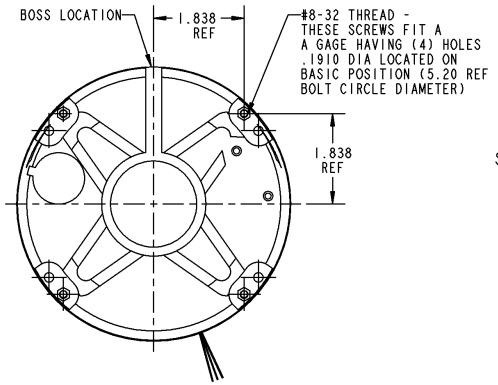
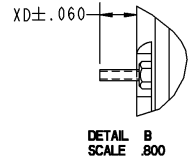
SIZE DRAWING NO. **5KCP39JFY840S** REV 1 SHEET 1

VENTILATION SYSTEM	
SHELL VENTS	CLOSED
ENDSHIELD (OPP. LEAD END)	CLOSED
ENDSHIELD (LEAD END)	CLOSED

RBC PROPRIETARY AND CONFIDENTIAL INFORMATION

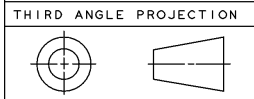
This document is the property of REGAL BELOIT CORPORATION ("RBC") including its subsidiaries and divisions and contains proprietary information of RBC. This document is loaned on the express condition that neither it nor the information contained therein shall be disclosed to others without the express written consent of RBC, and that the information shall be returned to RBC upon its request. This document may be subject to certain restrictions under U.S. export control laws and regulations.

REVISIONS			
REV.	DESCRIPTION	DATE	APPROVED
1	RELEASED TO PROD PER IS:08-1088	03/18/08	S.KARTHIK



NOTE:
1. DIMENSIONS SHOWN ARE NOMINAL UNLESS OTHERWISE SPECIFIED.

							N/A	.33
							XC	XD
7.96	2.50	2.30	N/A	N/A	5.39	4.32	4.98	
C	N	K	XN	XK	LM	XA	XB	



SNO	CONNECTION	COLOR	EXIT TYPE	EXIT LOC. (VIEWING LE)	GAGE	MATERIAL	WALL THK	LENGTH	TERMINATION
1	COMMON LEAD	PURPLE	2-3 LD BUSHING	5:20	18	THERMOPLASTIC	4/64	48.00	.25 SOC
2	CAPACITOR LEAD	BROWN	2-3 LD BUSHING	5:20	18	THERMOPLASTIC	4/64	48.00	.25 SOC
3	HIGH SPEED LEAD	BLACK	2-3 LD BUSHING	5:20	18	THERMOPLASTIC	4/64	48.00	.25 SOC

NAMEPLATE DATA	
MODEL	5KCP39JFY840S
CUST P/N	STOCK NO 3914
HP	1/4
RPM	830
VOLTS	208-230
HZ	60
* SPEEDS	1
AMPS	1.50
CAP RECD-1	5.00µfd/370Volts
CAP RECD-2	N/R
CONN. DRW#	NP24X327082
ROTATION	CCW (VIEWED FROM LE)



TITLE **MOTOR OUTLINE**
(CUSTOMER NAME : DEF PUR)

SIZE DRAWING	5KCP39JFY840S	REV	1
B		SCALE: NO	ISSUED: 11/15/07
		SHEET 1 of 1	

RBC PROPRIETARY STATEMENT

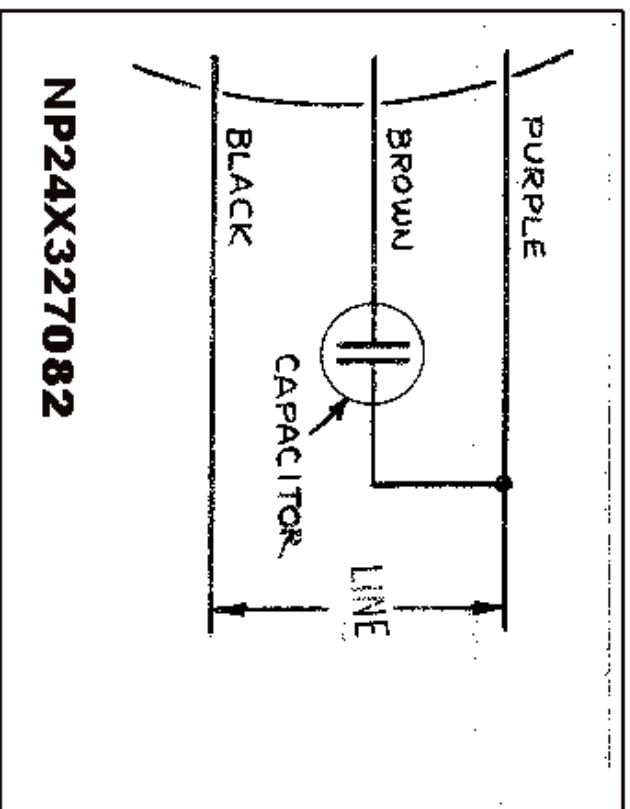
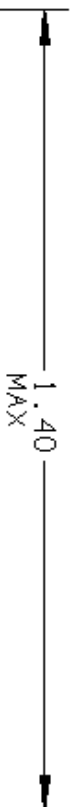
The document is the property of REGAL-BELOIT Corporation ("RBC"), including its subsidiaries and divisions and contains proprietary information of RBC. The document is loaned on the express condition that neither it nor the information contained therein shall be disclosed to others without the express written consent of RBC and that the information shall be used by the recipient only as approved expressly by RBC. The document shall be returned to RBC upon its request. The document may be subject to certain restrictions under the U.S. export control law and regulations.

REV	DESCRIPTION
1	Convert to RBC Format JAR 8-2005

REV1510NS

DESCRIPTION

1 Convert to RBC Format JAR 8-2005



TYPE FACE: COLORS OR NUMBERS DENOTING LEAD IDENTIFICATION AND N.P. NUMBER ARE TO BE 18 POINT NEWS GOTHIC CONDENSED. OTHER INFORMATION SHOULD BE 18 POINT IF SPACE ALLOWS, OTHERWISE USE 14 POINT.

MATERIALS: 4 MIL WHITE VINYL ADHESIVE STOCK GE SPEC 450FG41-S1

BLACK INK GE SPEC A50FM448

NOTE: THE BOX LINES AND DIMENSIONS REPRESENT THE SIZE OF THE TAPE TO BE USED. DO NOT INCLUDE THESE IN STAMP FORMAT.



REGAL
BELOIT
REGAL-BELOIT CORPORATION

CONNECTION DIAGRAM

NP24X327082

FILE:

DPC #

1 ISSUED

KRK 6-72

SCALE
NO