

PRODUCT INFORMATION PACKET



Model No: 3916

Catalog No: 3916

1/3 HP OEM Replacement Motor, 910 RPM, 3 Speed, 208-230 Volts, 48 Frame, OAO
HVAC/R OEM Replacement Motors



Regal and Genteq are trademarks of Regal Beloit Corporation or one of its affiliated companies.
©2019 Regal Beloit Corporation, All Rights Reserved. MC017097E

The Regal logo consists of the word "REGAL" in a bold, uppercase, sans-serif font, set within a grey, trapezoidal shape that tapers to the right. This logo is positioned on a dark blue background with a halftone dot pattern that runs vertically down the right side of the page.

REGAL



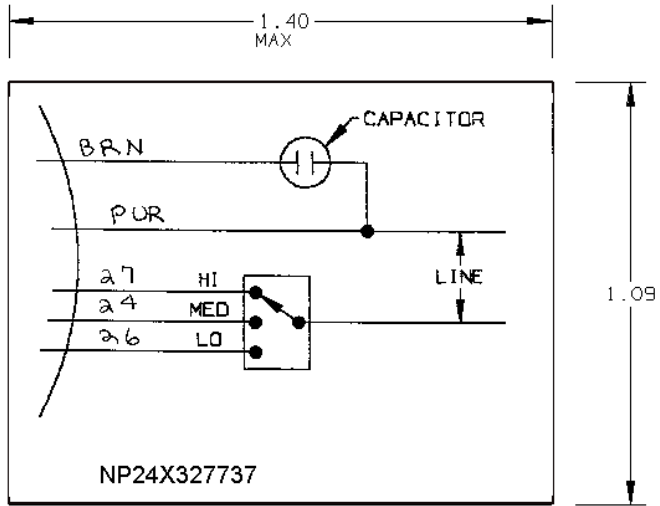
Nameplate Specifications

| | | | |
|---------------------|---------------|--------------------|---------------------|
| Output HP | 1/3 Hp | Frequency | 60 Hz |
| Voltage | 208-230 V | Current | 3.00 A |
| Speed | 910 rpm | Service Factor | 1 |
| Phase | 1 | Duty | Continuous Air Over |
| Insulation Class | B | Frame | 48 |
| Enclosure | Open Air Over | Thermal Protection | Thermally Protected |
| Ambient Temperature | 40 °C | UL | Recognized |
| CSA | Y | CE | N |

Technical Specifications

| | | | |
|-----------------------|---------------------------|-------------------|--------------|
| Electrical Type | Permanent Split Capacitor | Poles | 6 |
| Rotation | Counterclockwise | Mounting | Lug |
| Motor Orientation | Vertical Shaft Down | Drive End Bearing | Sleeve |
| Opp Drive End Bearing | Sleeve | Frame Material | Rolled Steel |
| Shaft Type | Flat | Overall Length | 9.14 in |
| Frame Length | 3.57 in | Shaft Diameter | 0.500 in |
| Shaft Extension | 4.00 in | | |


This is an uncontrolled document once printed or downloaded and is subject to change without notice. Date Created:25/10/2019



TYPE FACE: COLORS OR NUMBERS DENOTING LEAD IDENTIFICATION AND N.P. NUMBER ARE TO BE 18 POINT NEWS GOTHIC CONDENSED. OTHER INFORMATION SHOULD BE 18 POINT IF SPACE ALLOWS, OTHERWISE USE 14 POINT.

MATERIALS: 4 MIL WHITE VINYL ADHESIVE STOCK GE SPEC A50FG41-S1
BLACK INK GE SPEC A50FM48

NOTE: THE BOX LINES AND DIMENSIONS REPRESENT THE SIZE OF THE TAPE TO BE USED. DO NOT INCLUDE THESE IN STAMP FORMAT.

| | | | |
|--|-------|-----------------|-----------|
|  REGAL BELOIT REGAL-BELOIT CORPORATION | | | |
| CONNECTION DIAGRAM | | | |
| FILE: | DPC # | ISSUED | SCALE |
| | | CAS 5/95 | NO |
| NP24X327737 | | | |