

PRODUCT INFORMATION PACKET



Model No: 3918
Catalog No: 3918
1/2 HP OEM Replacement Motor, 1375 RPM, 4 Speed, 115 Volts, 48 Frame, OAO
HVAC/R OEM Replacement Motors



Regal and Genteq are trademarks of Regal Beloit Corporation or one of its affiliated companies.
©2019 Regal Beloit Corporation, All Rights Reserved. MC017097E





Nameplate Specifications

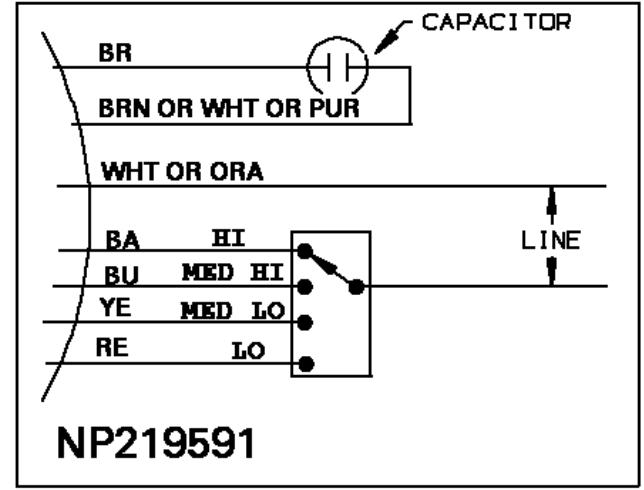
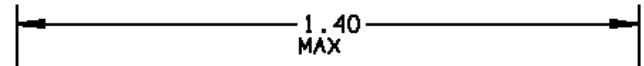
Output HP	1/2 Hp	Frequency	60 Hz
Voltage	115 V	Current	9.30 A
Speed	1375 rpm	Service Factor	1
Phase	1	Duty	Continuous Air Over
Insulation Class	B	Frame	48
Enclosure	Open Air Over	Thermal Protection	Thermally Protected
Ambient Temperature	40 °C	UL	Recognized
CSA	Y	CE	N

Technical Specifications

Electrical Type	Permanent Split Capacitor	Poles	4
Rotation	Counterclockwise	Mounting	Round
Motor Orientation	Any	Drive End Bearing	Sleeve
Opp Drive End Bearing	Sleeve	Frame Material	Rolled Steel
Shaft Type	Flat	Overall Length	8.14 in
Frame Length	4.07 in	Shaft Diameter	0.500 in
Shaft Extension	2.50 in		

This is an uncontrolled document once printed or downloaded and is subject to change without notice. Date Created:25/10/2019

SIZE A
DWG NO



NP219591

TYPE FACE: COLORS OR NUMBERS DENOTING LEAD IDENTIFICATION AND N.P. NUMBER ARE TO BE 18 POINT NEWS GOTHIC CONDENSED. OTHER INFORMATION SHOULD BE 18 POINT IF SPACE ALLOWS, OTHERWISE USE 14 POINT.

MATERIALS: 4 MIL WHITE VINYL ADHESIVE STOCK RBC SPEC A50FC41-S1
BLACK INK RBC SPEC A50FM48

NOTE: THE BOX LINES AND DIMENSIONS REPRESENT THE SIZE OF THE TAPE TO BE USED. DO NOT INCLUDE THESE IN STAMP FORMAT.

NOTE: THIS DRAWING WILL BE ELECTRONICALLY REPRODUCED BY THE MOTOR NAMEPLATE SYSTEM.

UNLESS OTHERWISE SPECIFIED	SIGNATURES	DATE	 NAMEPLA	
DIMENSIONS ARE IN INCHES	DRAWN	FA ROSS		11/11/60
TOLERANCES ON:	CHECKED			
2 PL. DECIMALS ±	ENGRD			
3 PL. DECIMALS ±	ISSUED			
ANGLES ±				
FRACTIONS ±				
MATERIAL:	CAD NO	SIZE	FSCM NO	
APPLIED PRACTICES:		A		
		SCALE	3	

F39: XNPB

