

# PRODUCT INFORMATION PACKET



Model No: 3920  
Catalog No: 3920  
.4 HP OEM Replacement Motor, 1075 RPM, 380-415/460 Volts, 48 Frame, TEAO  
HVAC/R OEM Replacement Motors



Regal and Genteq are trademarks of Regal Beloit Corporation or one of its affiliated companies.  
©2019 Regal Beloit Corporation, All Rights Reserved. MC017097E





**Nameplate Specifications**

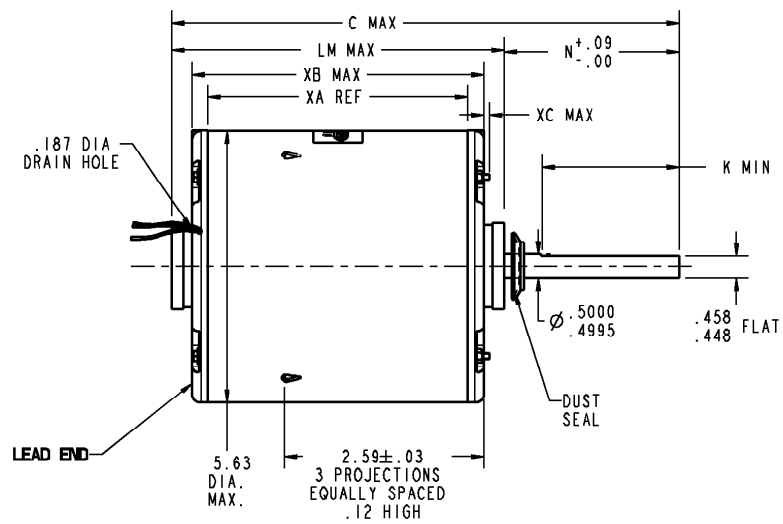
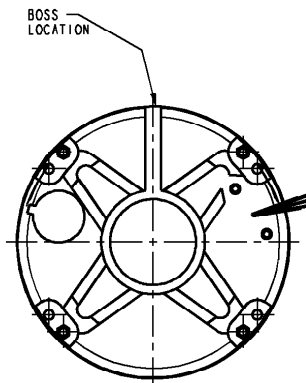
Output HP	.4 Hp	Frequency	60 Hz
Voltage	380-415/460 V	Current	1.40 A
Speed	1075 rpm	Service Factor	1
Phase	1	Duty	Continuous Air Over
Insulation Class	B	Frame	48
Enclosure	Totally Enclosed Air Over	Thermal Protection	Thermally Protected
Ambient Temperature	40 °C	UL	Recognized
CSA	Y	CE	N

**Technical Specifications**

Electrical Type	Permanent Split Capacitor	Poles	6
Rotation	Counterclockwise	Mounting	Lug
Motor Orientation	Vertical Shaft Up	Drive End Bearing	Sleeve
Opp Drive End Bearing	Sleeve	Frame Material	Rolled Steel
Shaft Type	Flat	Overall Length	10.39 in
Frame Length	5.32 in	Shaft Diameter	0.500 in
Shaft Extension	3.50 in		

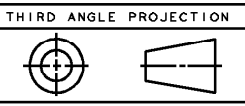
This is an uncontrolled document once printed or downloaded and is subject to change without notice. Date Created:25/10/2019

NAME: 100036649 OBJECT: 5KCP39RFY828S DATE: 21-Aug-12 17:53:09



NOTE:  
1. DIMENSIONS SHOWN ARE NOMINAL UNLESS OTHERWISE SPECIFIED.

	N/A	N/A	.14	N/A	N/A
	XE	XF	XC	XD	YO
	10.39	3.50	2.80	N/A	N/A
	C	N	K	XN	XK
				LM	XA
					XB



SNO	CONNECTION	COLOR	EXIT TYPE	EXIT LOC (MEASD L/S)	Q/MT	MATERIAL	WALL THK	LENGTH	TERMINATION
1	COMMON LEAD	PURPLE	E/S LEAD HOLE	2:30	18	EPDM	4/64	43.00	.25 SOC PREMIER
2	CAPACITOR LEAD	BROWN	E/S LEAD HOLE	2:30	18	EPDM	4/64	43.00	.25 SOC PREMIER
3	HIGH SPEED LEAD	BLACK	E/S LEAD HOLE	2:30	18	EPDM	4/64	48.00	.25 SOC PREMIER

NAMEPLATE DATA

MODEL	5KCP39RFY828S
CUST P/N	STOCK NO 3920
HP	.4
RPM	1075
VOLTS	380-415/460
HZ	60/50
SPEEDS	1
AMPS	1.40
CAP REQD-1	5.00µfd/440Volts
CAP REQD-2	N/R
CONN DRW#	NP24X327587
ROTATION	CCW (VIEWED FROM LE)

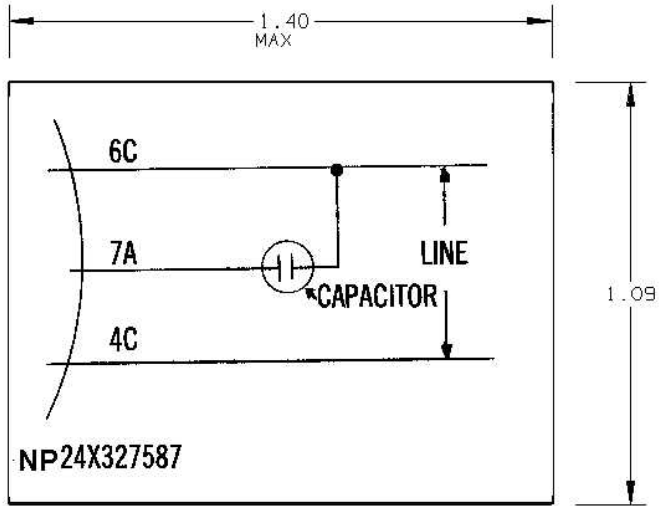
**REGAL**  
ELECT

REGAL-BELOIT CORPORATION  
FORTWAYNE, INDIANA

TITLE: **MOTOR OUTLINE**  
(CUSTOMER NAME : DEF PUR)

SIZE: B DRAWING: **5KCP39RFY828S** REV: 1


SCALE: .40 ISSUED: 8/21/12 SHEET 1 of 1



TYPE FACE: COLORS OR NUMBERS DENOTING LEAD IDENTIFICATION AND N.P. NUMBER ARE TO BE 18 POINT NEWS GOTHIC CONDENSED. OTHER INFORMATION SHOULD BE 18 POINT IF SPACE ALLOWS, OTHERWISE USE 14 POINT.

MATERIALS: 4 MIL WHITE VINYL ADHESIVE STOCK GE SPEC A50FG41-S1  
BLACK INK GE SPEC A50FM48

NOTE: THE BOX LINES AND DIMENSIONS REPRESENT THE SIZE OF THE TAPE TO BE USED. DO NOT INCLUDE THESE IN STAMP FORMAT.

 <b>REGAL</b> BELOIT				REGAL-BELOIT CORPORATION	
<b>CONNECTION DIAGRAM</b>					
FILE:	DPC #	NP 24X327587	ISSUED	CAS 4/89	SCALE
					NO