

PRODUCT INFORMATION PACKET



Model No: 3S004
Catalog No: 3S004
1/12 HP OEM Replacement Motor, 825 RPM, 208-230 Volts, 48 Frame, TEAO
HVAC/R OEM Replacement Motors



Regal and Genteq are trademarks of Regal Beloit Corporation or one of its affiliated companies.
©2019 Regal Beloit Corporation, All Rights Reserved. MC017097E





Nameplate Specifications

Output HP	1/12 Hp	Frequency	60 Hz
Voltage	208-230 V	Current	0.60 A
Speed	825 rpm	Service Factor	1
Phase	1	Duty	Continuous Air Over
Insulation Class	B	Frame	48
Enclosure	Totally Enclosed Air Over	Thermal Protection	Thermally Protected
Ambient Temperature	40 °C	UL	Recognized
CSA	Y	CE	N

Technical Specifications

Electrical Type	Permanent Split Capacitor	Poles	8
Rotation	Clockwise	Mounting	Extended Studs
Motor Orientation	Vertical Shaft Down	Drive End Bearing	Sleeve
Opp Drive End Bearing	Sleeve	Frame Material	Rolled Steel
Shaft Type	Flat	Overall Length	6.31 in
Frame Length	3.32 in	Shaft Diameter	0.500 in
Shaft Extension	2.25 in		

This is an uncontrolled document once printed or downloaded and is subject to change without notice. Date Created:25/10/2019

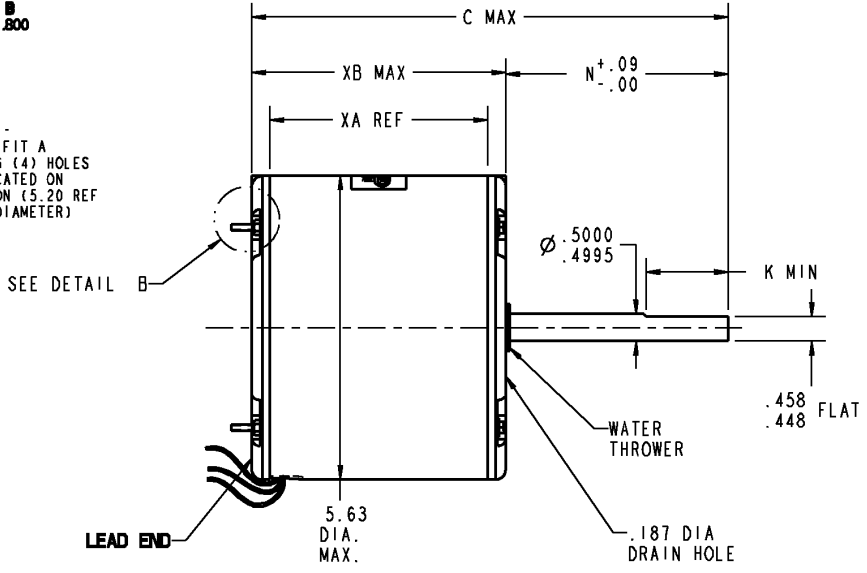
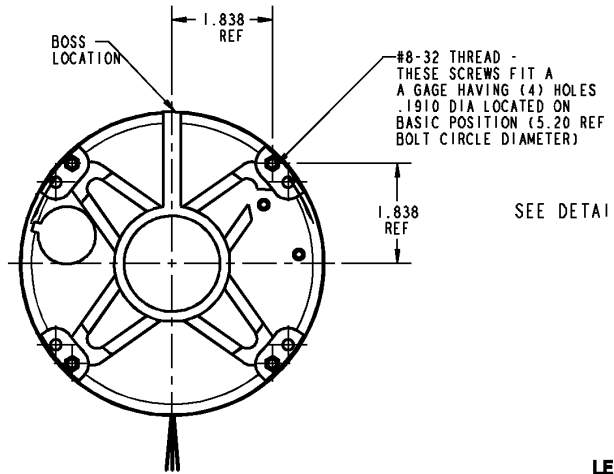
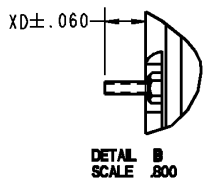
501221413 OBJECT: MOTOR_OUTLINE_LEADTABLE DATE: 07-Aug-08 15:47:15

SIZE B DRAWING NO. 5KCP39CFY918S REV 0 SHEET 1

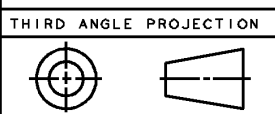
VENTILATION SYSTEM	
SHELL VENTS	CLOSED
ENDSHIELD (OPP. LEAD END)	CLOSED
ENDSHIELD (LEAD END)	CLOSED

UNCONTROLLED COPY
 RBC PROPRIETARY AND CONFIDENTIAL INFORMATION
 This document is the property of REGAL BELOIT CORPORATION ("RBC") including its subsidiaries and divisions and contains proprietary information of RBC. This document is loaned on the express condition that neither it nor the information contained therein shall be disclosed to others without the express written consent of RBC, and that the information shall be returned to RBC upon its request. This document may be subject to certain restrictions under U.S. export control laws and regulations.

REVISIONS	
REV.	DESCRIPTION
0	



NOTE:
 1. DIMENSIONS SHOWN ARE NOMINAL UNLESS OTHERWISE SPECIFIED.



SNO	CONNECTION	COLOR	EXIT TYPE	EXIT LOC (VIEWING DIR)	GAGE	MATERIAL	WALL THK	LENGTH	TEMPERATURE
1	COMMON LEAD	BLACK	2-3 LD BUSHING	6:00	18	THERMOPLASTIC	4/64	49.00	.25 SOC PREMIER
2	CAPACITOR LEAD	BROWN	2-3 LD BUSHING	6:00	18	THERMOPLASTIC	4/64	49.00	.25 SOC PREMIER
3	HIGH SPEED LEAD	PURPLE	2-3 LD BUSHING	6:00	18	THERMOPLASTIC	4/64	49.00	.25 FISOC LO INS FORCE

NAMEPLATE DATA	
MODEL	5KCP39CFY918S
CUST P/N	STOCK #3S004
HP	1/12
RPM	825
VOLTS	208-230
HZ	60
* SPEEDS	1
AMPS	0.60
CAP RECD-1	5.00µfd/370Volts
CAP RECD-2	N/R
CONN DRW#	NP251377
ROTATION	CW (VIEWED FROM LE)

6.31	2.25	1.75	N/A
C	N	K	XN

TITLE: MOTOR 0
 (CUSTOMER NAME :)

SIZE B DRAWING 5KCP3

SCALE: NO ISSUED: 8/7/

RBC PROPRIETARY STATEMENT

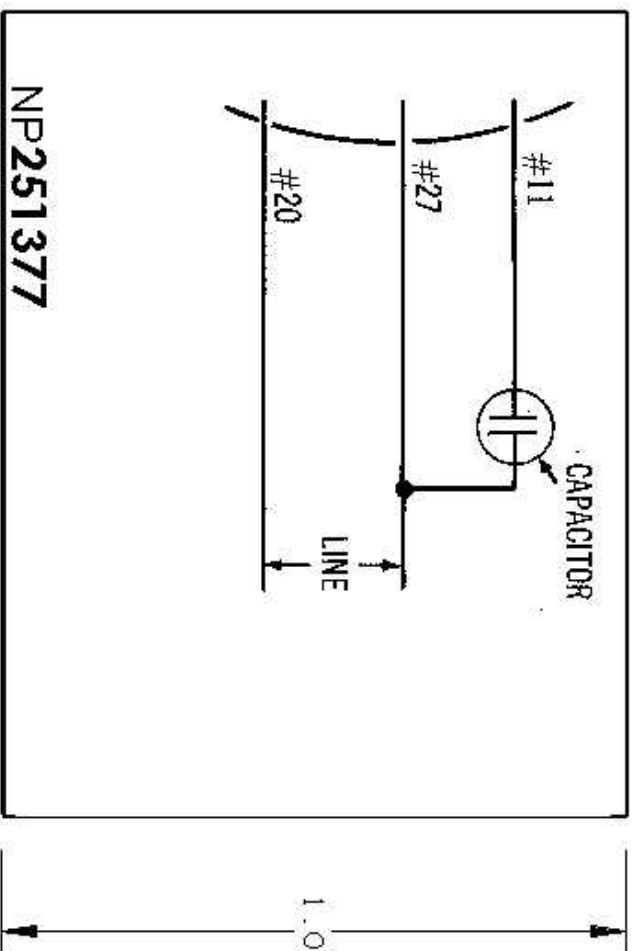
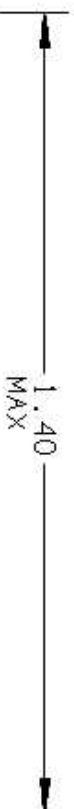
The document is the property of REGAL-BELOIT Corporation ("RBC") including its subsidiaries and divisions and contains proprietary information of RBC. The document is loaned on the express condition that neither it nor the information contained therein shall be disclosed to others without the express written consent of RBC and that the information shall be used by the recipient only as approved expressly by RBC. The document shall be returned to RBC upon its request. The document may be subject to certain restrictions under the U.S. export control law and regulations.

REV	DESCRIPTION
1	Convert to RBC Format JAR 8-2005

REV1SIONS

DESCRIPTION

1 Convert to RBC Format JAR 8-2005



TYPE FACE: COLORS OR NUMBERS DENOTING LEAD IDENTIFICATION AND N.P. NUMBER ARE TO BE 18 POINT NEWS GOTHIC CONDENSED. OTHER INFORMATION SHOULD BE 18 POINT IF SPACE ALLOWS, OTHERWISE USE 14 POINT.

MATERIALS: 4 MIL WHITE VINYL ADHESIVE STOCK GE SPEC 450FG41-S1

BLACK INK GE SPEC A50FM448

NOTE: THE BOX LINES AND DIMENSIONS REPRESENT THE SIZE OF THE TAPE TO BE USED. DO NOT INCLUDE THESE IN STAMP FORMAT.



REGAL
BELOIT
REGAL-BELOIT CORPORATION

CONNECTION DIAGRAM

NP251377

1 SQUARED
REID 6/66

SCALE
NO

FILE:

DPC #