

PRODUCT INFORMATION PACKET



Model No: 3S006

Catalog No: 3S006

1/15 HP OEM Replacement Motor, 850/750 RPM, 2 Speed, 208-230 Volts, 48 Frame, TEAO
HVAC/R OEM Replacement Motors



Regal and Genteq are trademarks of Regal Beloit Corporation or one of its affiliated companies.
©2019 Regal Beloit Corporation, All Rights Reserved. MC017097E

The word "REGAL" is written in a bold, white, sans-serif font inside a dark grey, trapezoidal shape. This logo is positioned on a vertical blue decorative bar that has a halftone dot pattern and a white diagonal line running through it.



Nameplate Specifications

Output HP	1/15 Hp	Frequency	60 Hz
Voltage	208-230 V	Current	0.37 A
Speed	850/750 rpm	Service Factor	1
Phase	1	Duty	Continuous Air Over
Insulation Class	B	Frame	48
Enclosure	Totally Enclosed Air Over	Thermal Protection	Thermally Protected
Ambient Temperature	40 °C	UL	Recognized
CSA	Y	CE	N

Technical Specifications

Electrical Type	Permanent Split Capacitor	Poles	8
Rotation	Clockwise	Mounting	Lug
Motor Orientation	Any	Drive End Bearing	Sleeve
Opp Drive End Bearing	Sleeve	Frame Material	Rolled Steel
Shaft Type	Flat	Overall Length	10.30 in
Frame Length	3.32 in	Shaft Diameter	0.500 in
Shaft Extension	3.25 in		

This is an uncontrolled document once printed or downloaded and is subject to change without notice. Date Created:25/10/2019

NAME: 501221413 OBJECT: MOTOR_OUTLINERIGIDOH DATE: 11-Aug-08 19:42:54

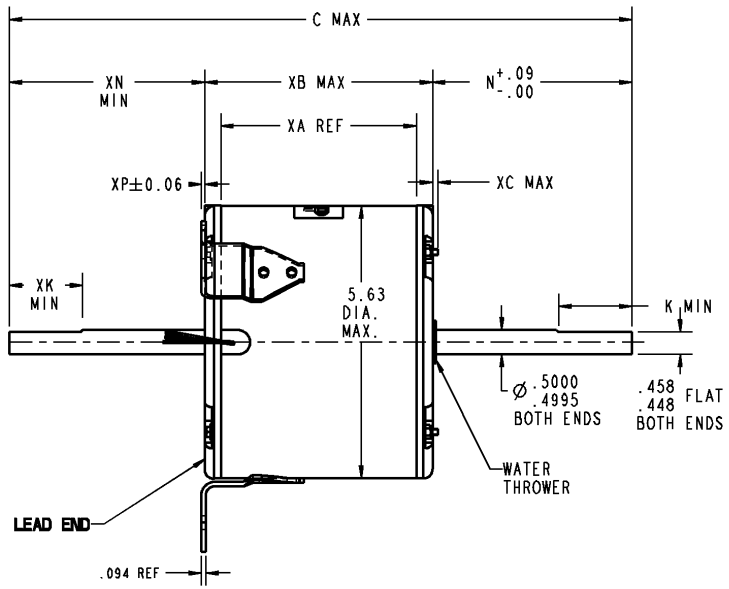
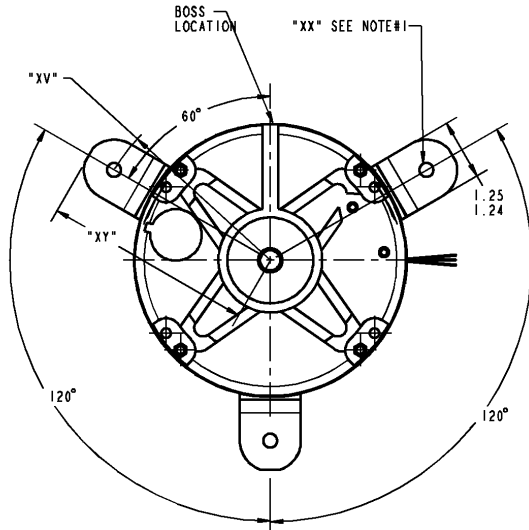
Uncontrolled

SIZE DRAWING NO. **5KCP39DFY920S** REV 0 SHEET 1

VENTILATION SYSTEM	
SHELL VENTS	CLOSED
ENDSHIELD (OPP. LEAD END)	CLOSED
ENDSHIELD (LEAD END)	CLOSED

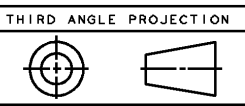
RBC PROPRIETARY AND CONFIDENTIAL INFORMATION
 This document is the property of REGAL BELOIT CORPORATION ("RBC") including its subsidiaries and divisions and contains proprietary information of RBC. This document is loaned on the express condition that neither it nor the information contained therein shall be disclosed to others without the express written consent of RBC, and that the information shall be used by the recipient only as approved expressly by RBC. This document shall be returned to RBC upon its request. This document may be subject to certain restrictions under U.S. export control laws and regulations.

REVISIONS			
REV.	DESCRIPTION	DATE	APPROVED
0			



- NOTES:
- "xx" IS NOMINAL SIZE OF THE THREE LUG HOLES THESE HOLE FIT A GAGE HAVING THREE PINS "xw" DIA LOCATED ON THE BASIC HOLE POSITIONS.
 - MAX VARIATION BETWEEN ALL LUG MOUNTING SURFACES IS .040".
 - DIMENSIONS SHOWN ARE NOMINAL UNLESS OTHERWISE SPECIFIED.

				3.69	4.32	.28	.24
				XV	XY	XX	XW
	.09	N/A	N/A	N/A	.14	N/A	N/A
	XP	XR	XE	XF	XC	XD	YO
10.30	3.25	2.75	3.00	2.50	N/A	3.32	3.98
C	N	K	XN	XK	LM	XA	XB



NO	CONNECTION	COLOR	END TYPE	EXT LUG (FEEDING LG)	GAGE	MATERIAL	THICKNESS	LENGTH	TERMINATION
1	COMMON LEAD	WHITE	SHELL NOTCH	3:00	18	THERMOPLASTIC	4/64	26.00	.25 SOC PREMIER
2	CAPACITOR LEAD	BROWN	SHELL NOTCH	3:00	18	THERMOPLASTIC	4/64	26.00	.25 SOC PREMIER
3	HIGH SPEED LEAD	BLACK	SHELL NOTCH	3:00	18	THERMOPLASTIC	4/64	38.00	.25 FOC PREMIER
4	LOW SPEED LEAD	RED	SHELL NOTCH	3:00	18	THERMOPLASTIC	4/64	38.00	.25 FOC PREMIER

NAMEPLATE DATA

MODEL	5KCP39DFY920S
CUST P/N	STOCK NO 3S006
HP	1/15
RPM	850/750
VOLTS	208-230
HZ	60
* SPEEDS	2
AMPS	0.37
CAP RECD-1	5.00µfd/370Volts
CAP RECD-2	N/R
CONVL DRW#	24X327101
ROTATION	CW (VIEWED FROM LE)

REGAL BELOIT REGAL-BELOIT CORPORATION FORTWAYNE, INDIANA

TITLE **MOTOR OUTLINE**
(CUSTOMER NAME: DEF PUR)

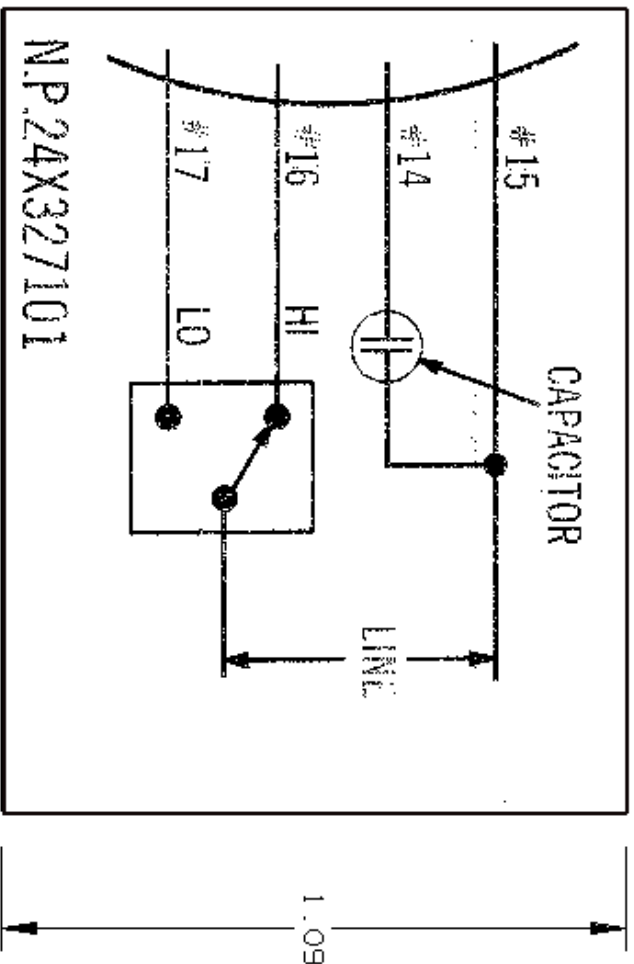
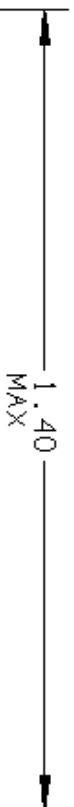
SIZE DRAWING **5KCP39DFY920S** REV 0

SCALE: NO ISSUED: 8/11/08 SHEET 1 of 1

RBC PROPRIETARY STATEMENT

The document is the property of REGAL-BELOIT Corporation ("RBC") including its subsidiaries and divisions and contains proprietary information of RBC. The document is loaned on the express condition that neither it nor the information contained therein shall be disclosed to others without the express written consent of RBC and that the information shall be used by the recipient only as approved expressly by RBC. The document shall be returned to RBC upon its request. The document may be subject to certain restrictions under the U.S. export control law and regulations.

REV	DESCRIPTION
1	Convert to RBC Format JAR 8-2005



TYPE FACE: COLORS OR NUMBERS DENOTING LEAD IDENTIFICATION AND N.P. NUMBER ARE TO BE 18 POINT NEWS GOTHIC CONDENSED. OTHER INFORMATION SHOULD BE 18 POINT IF SPACE ALLOWS, OTHERWISE USE 14 POINT.

MATERIALS: 4 MIL WHITE VINYL ADHESIVE STOCK GE SPEC 450FG41-S1

BLACK INK GE SPEC A50FM448

NOTE: THE BOX LINES AND DIMENSIONS REPRESENT THE SIZE OF THE TAPE TO BE USED. DO NOT INCLUDE THESE IN STAMP FORMAT.



REGAL-BELOIT CORPORATION

CONNECTION DIAGRAM

NP24X327101

FILE:

DPC #

1 ISSUED

PMK 3-73

SCALE NO