

# PRODUCT INFORMATION PACKET

Modal No: 048C17D2055  
Catalog No: D119  
1/3,1725,DP,48Z,1/60/115/230  
Fan and Blower



Regal and Marathon are trademarks of Regal Beloit Corporation or one of its affiliated companies.  
©2017 Regal Beloit Corporation, All Rights Reserved. MC017097E

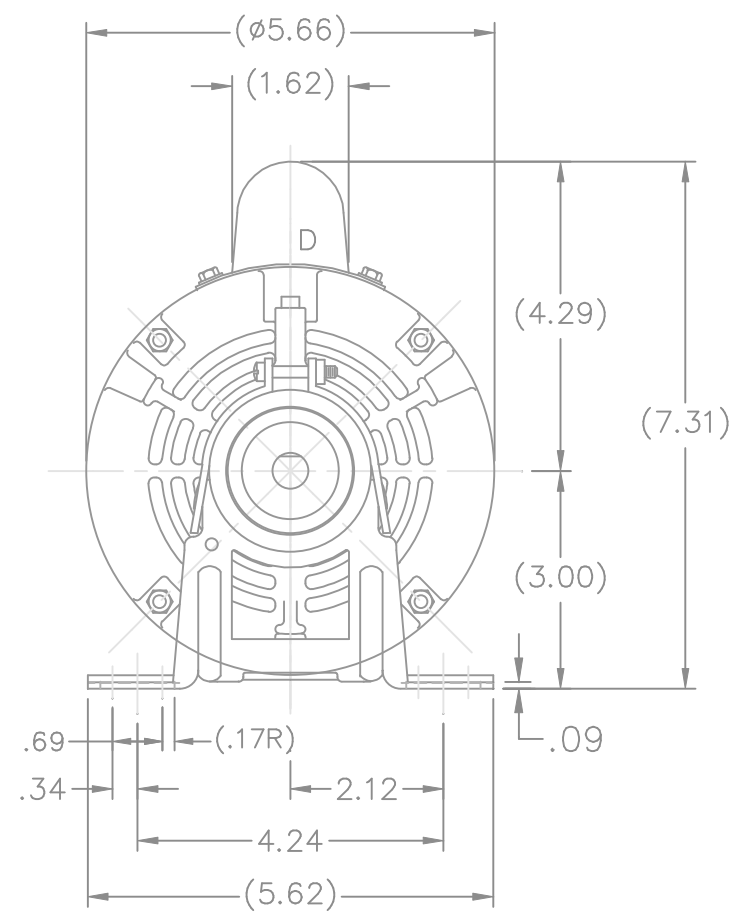
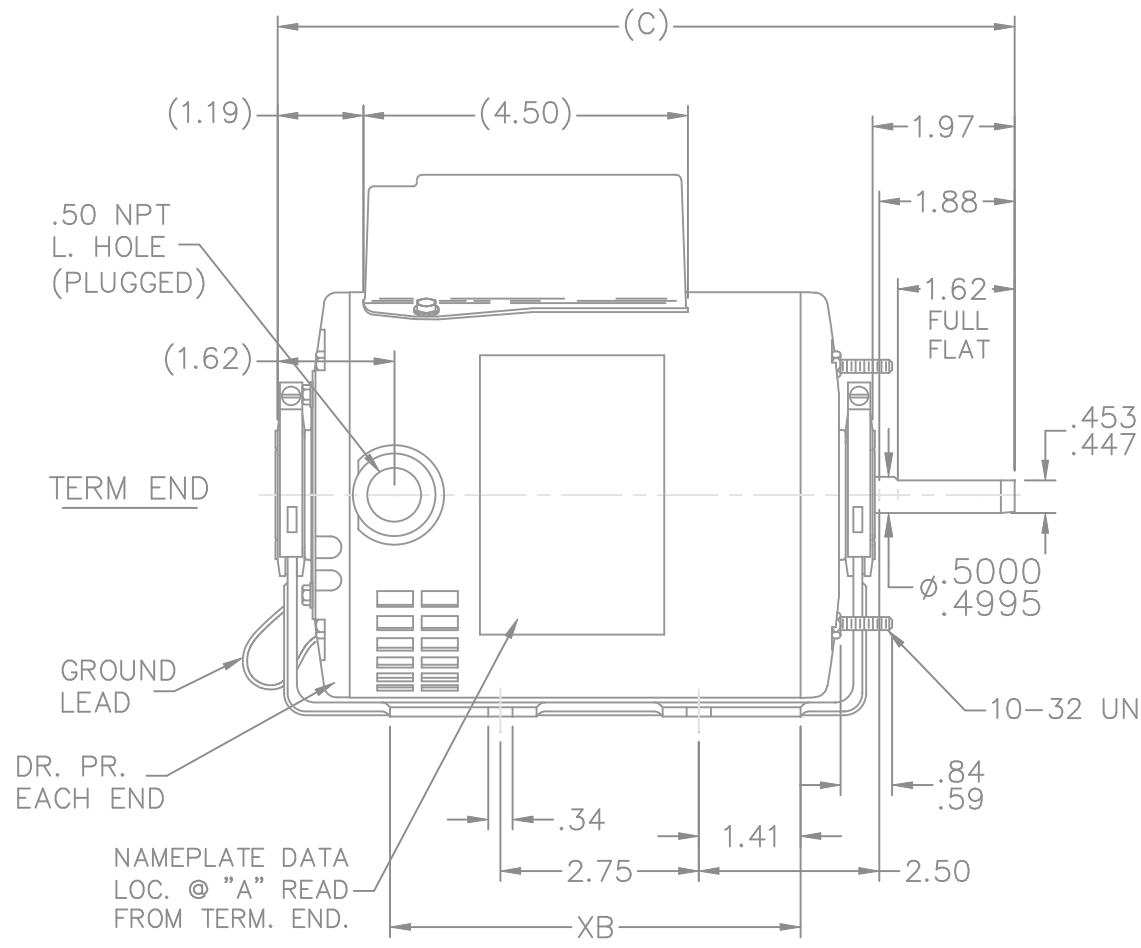


## Nameplate Specifications


|                            |                  |                        |                       |
|----------------------------|------------------|------------------------|-----------------------|
| Output HP                  | <b>0.33 Hp</b>   | Output KW              | <b>0.25 kW</b>        |
| Frequency                  | <b>60 Hz</b>     | Voltage                | <b>115/230 V</b>      |
| Current                    | <b>5.8/2.9 A</b> | Speed                  | <b>1725 rpm</b>       |
| Service Factor             | <b>1.35</b>      | Phases                 | <b>1</b>              |
| Efficiency                 | <b>64 %</b>      | Duty                   | <b>CONTINUOUS</b>     |
| Insulation Class           | <b>B</b>         | Design Code            | <b>NO DESIGN CODE</b> |
| KVA Code                   | <b>J</b>         | Frame                  | <b>48Z</b>            |
| Enclosure                  | <b>DP</b>        | Overload Protector     | <b>AUTOMATIC</b>      |
| Ambient Temperature        | <b>40 °C</b>     | Drive End Bearing Size | <b>6203</b>           |
| Opp Drive End Bearing Size | <b>6203</b>      | UL                     | <b>Recognized</b>     |
| CSA                        | <b>Y</b>         | CE                     | <b>N</b>              |
| IP Code                    | <b>22</b>        |                        |                       |

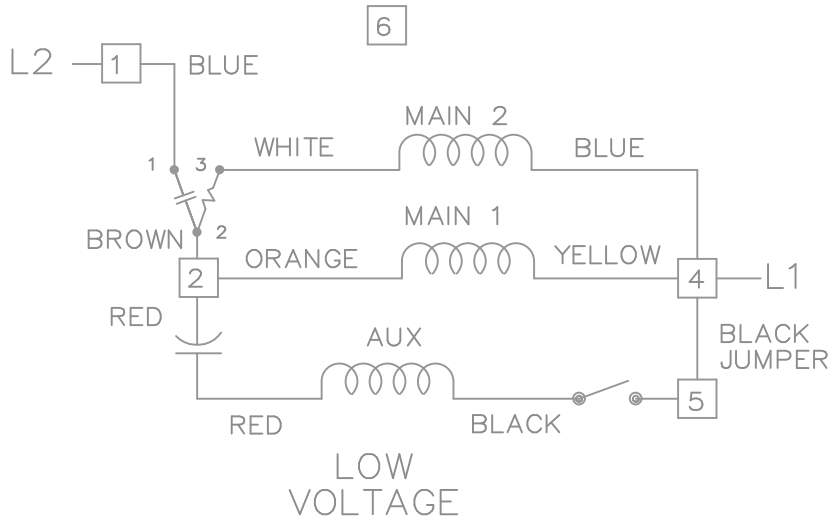
## Technical Specifications

|                       |                                      |                       |                        |
|-----------------------|--------------------------------------|-----------------------|------------------------|
| Electrical Type       | <b>CAP START IND RUN</b>             | Starting Method       | <b>ACROSS THE LINE</b> |
| Poles                 | <b>4</b>                             | Rotation              | <b>SELECTIVE CCW</b>   |
| Mounting              | <b>RESILIENT BASE-EXTENDED STUDS</b> | Motor Orientation     | <b>HORIZONTAL</b>      |
| Drive End Bearing     | <b>BALL</b>                          | Opp Drive End Bearing | <b>BALL</b>            |
| Frame Material        | <b>ROLLED STEEL</b>                  | Shaft Type            | <b>SGL SPL EXT</b>     |
| Overall Length        | <b>10.22 in</b>                      | Frame Length          | <b>6.25 in</b>         |
| Shaft Diameter        | <b>0.5 in</b>                        | Shaft Extension       | <b>1.97 in</b>         |
| Assembly/Box Mounting | <b>F1 ONLY</b>                       |                       |                        |

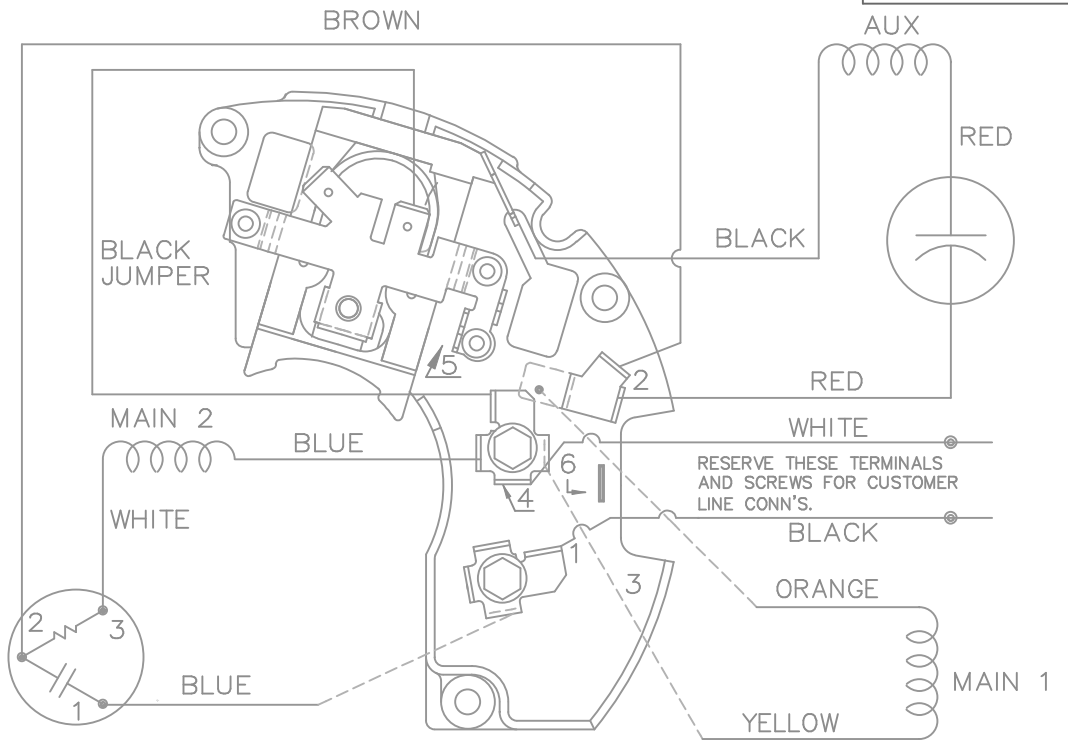


| DASH | FRAME | C     | XB   |
|------|-------|-------|------|
| 550  | 48    | 9.47  | 5.69 |
| 575  | 48    | 9.72  | 5.94 |
| 625  | 48    | 10.22 | 6.44 |

|  |          |           |     | TOLERANCES UNLESS SPECIFIED |            |  | DRAWN SP 01-09-2009 |      |             |      |    |      |
|--|----------|-----------|-----|-----------------------------|------------|---|---------------------|------|-------------|------|----|------|
|  |          |           |     | DEC.                        | INCHES     |   | CHK NB 01-09-2009   |      |             |      |    |      |
|  |          |           |     | .X                          | ±.1        |   | APPD SP 01-09-2009  |      |             |      |    |      |
|  |          |           |     | .XX                         | ±.03       |   | SCALE 3=8           |      |             |      |    |      |
|  |          |           |     | .XXX                        | ±.005      |   | REF SS74752         |      |             |      |    |      |
|  |          |           |     | .XXXX                       | ±.0005     | FMF 07-2636   |                     |      |             |      |    |      |
| NO.  | REVISION | BY & DATE | CHK | ANG                         | ±7'30"     | FINISH  | PREV                |      |             |      |    |      |
| THIS DRAWING IN DESIGN AND DETAIL IS OUR PROPERTY AND MUST NOT BE USED EXCEPT IN CONNECTION WITH OUR WORK ALL RIGHTS OF DESIGN AND INVENTION ARE RESERVED THIS IS AN ELECTRONICALLY GENERATED DOCUMENT - DO NOT SCALE THIS PRINT |          |           |     | RFP                         | 01-09-2009 | CAD FILE  | SS403803            | SIZE | DRAWING NO. | PAGE | OF | REV. |
|  |          |           |     | DIST                        | WP         | A   | SS403803            |      |             |      |    |      |

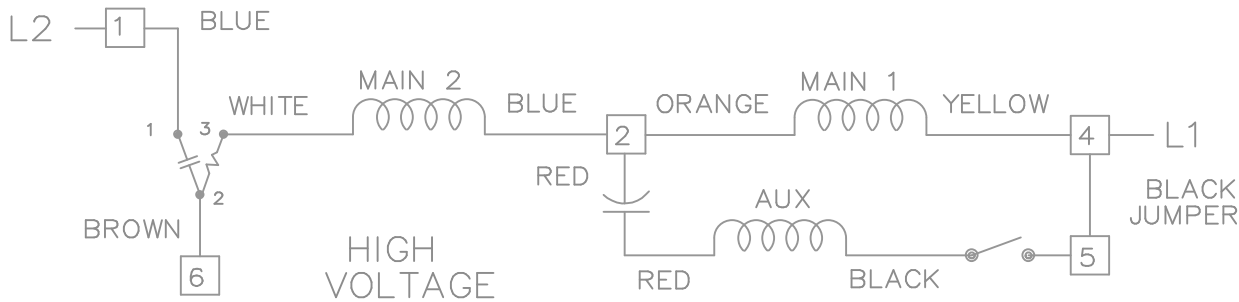


DUAL VOLTAGE CAPACITOR START REVERSIBLE ON TERM BOARD WITH OVERLOAD PROTECTION



VIEWING TERM END

LOW VOLTAGE CCW ROTATION SHOWN.



FOR HIGH VOLTAGE CONNECT BROWN TERM 2 TO TERM 6. CONNECT BLUE TERM 4 TO TERM 2.

TO REVERSE ROTATION EITHER VOLTAGE INTERCHANGE RED LEAD WITH BLACK LEAD.

|  |                             |          |                | TOLERANCES UNLESS SPECIFIED |                  | MARATHON ELECTRIC  | DRAWN BW 02-22-1990 |         |             |       |     |      |
|--|-----------------------------|----------|----------------|-----------------------------|------------------|--|---------------------|---------|-------------|-------|-----|------|
|  |                             |          |                | DEC.                        | INCHES           |  | CHK                 | ML      | 02-22-1990  |       |     |      |
|  |                             |          |                | .X                          | ± -              | TITLE CONNECTION DIAGRAM<br>48 FR. DUAL VOLTAGE REVERSIBLE | APPD                | GK      | 02-22-1990  | SCALE | 1=1 |      |
| 3  | ROUTING OF BLACK JUMPER     | CN 35440 | BJK 08-20-2002 | .XX                         | ± -              |  | MAT'L.              | REF     |             |       |     |      |
| 2  | REVISED BLACK LINE LOCATION | CN 6427  | RM 01-28-1991  | .XXX                        | ± -              |  | FINISH              | FMF     |             |       |     |      |
| 1  | NEW DRAWING                 |          | BW 02-22-1990  | .XXXX                       | ± -              |  | PREV                |         |             |       |     |      |
| NO.  | REVISION                    |          | BY & DATE      | CHK                         | ANG              | ± -  |                     |         |             |       |     |      |
| THIS DRAWING IN DESIGN AND DETAIL IS OUR PROPERTY AND MUST NOT BE USED EXCEPT IN CONNECTION WITH OUR WORK ALL RIGHTS OF DESIGN AND INVENTION ARE RESERVED THIS IS AN ELECTRONICALLY GENERATED DOCUMENT - DO NOT SCALE THIS PRINT |                             |          |                | RFP                         | CAD FILE EE9002M |  |                     | SIZE    | DRAWING NO. | PAGE  | OF  | REV. |
|  |                             |          |                | DIST                        | WP               |  | A                   | EE9002M |             |       | 3   |      |

CERTIFICATION DATA SHEET

Model#: 48C17D2055 E WINDING#: CE48456 NONE 3  
 CONN. DIAGRAM: A-EE9002M ASSEMBLY: F1 ONLY  
 OUTLINE: A-SS403803-625

TYPICAL MOTOR PERFORMANCE DATA

| HP  | KW   | SYNC. RPM | F.L. RPM | FRAME | ENCLOSURE | KVA CODE | DESIGN         |
|-----|------|-----------|----------|-------|-----------|----------|----------------|
| 1/3 | 0.25 | 1800      | 1725     | 48Z   | DP        | J        | NO DESIGN CODE |

| PH | Hz | VOLTS   | FL AMPS | START TYPE      | DUTY       | INSL | S.F  | AMB°C | ELEVATION |
|----|----|---------|---------|-----------------|------------|------|------|-------|-----------|
| 1  | 60 | 115/230 | 5.8/2.9 | ACROSS THE LINE | CONTINUOUS | B3   | 1.35 | 40    | 3300      |

| FULL LOAD EFF: 64 | 3/4 LOAD EFF: 61.4 | 1/2 LOAD EFF: 54.7 | GTD. EFF | ELEC. TYPE        | NO LOAD AMPS |
|-------------------|--------------------|--------------------|----------|-------------------|--------------|
| FULL LOAD PF: 60  | 3/4 LOAD PF: 54.5  | 1/2 LOAD PF: 43.9  | 0        | CAP START IND RUN | 4.2 / 2.1    |

| F.L. TORQUE | LOCKED ROTOR AMPS | L.R. TORQUE    | B.D. TORQUE  | F.L. RISE°C |
|-------------|-------------------|----------------|--------------|-------------|
| 16 LB-FT    | 21.4 / 10.7       | 28.9 LB-FT 181 | 38 LB-FT 238 | 0           |

| SOUND PRESSURE @ 3 FT. | SOUND POWER | ROTOR WK^2 | MAX. WK^2 | SAFE STALL TIME | STARTS /HOUR | APPROX. MOTOR WGT |
|------------------------|-------------|------------|-----------|-----------------|--------------|-------------------|
| - dBA                  | - dBA       | - LB-FT^2  | - LB-FT^2 | - SEC.          | -            | - LBS.            |

\*\*\* SUPPLEMENTAL INFORMATION \*\*\*

| DE BRACKET TYPE | ODE BRACKET TYPE | MOUNT TYPE                     | ORIENTATION | SEVERE DUTY | HAZARDOUS LOCATION | DRIP COVER | SCREENS | PAINT         |
|-----------------|------------------|--------------------------------|-------------|-------------|--------------------|------------|---------|---------------|
| STANDARD        | STANDARD         | RESILIENT BASE- EXTENDED STUDS | HORIZONTAL  | FALSE       | NONE               | FALSE      | NONE    | GRAY (POWDER) |

| BEARINGS |      | GREASE      | SHAFT TYPE  | SPECIAL DE                                 | SPECIAL ODE | SHAFT MATERIAL           | FRAME MATERIAL |
|----------|------|-------------|-------------|--|-------------|--------------------------|----------------|
| DE       | OPE  |             |             |  |             |                          |                |
| BALL     | BALL | MULTEMP SRL | SGL SPL EXT | 0.500 x 1.88 IN SEF WITH 1.62 IN FULL FLAT | NONE        | 1144 STRESSPROOF (C-223) | ROLLED STEEL   |
| 6203     | 6203 |             |             |  |             |                          |                |

| THERMO-PROTECTORS |            |          |          | THERMISTORS | CONTROL | SPACE /n HEATERS |
|-------------------|------------|----------|----------|-------------|---------|------------------|
| THERMOSTATS       | PROTECTORS | WDG RTDs | BRG RTDs |             |         |                  |
| NONE              | AUTOMATIC  | NONE     | NONE     | NONE        | FALSE   | NONE VOLTS       |

If Inverter equals NONE, contact factory for further information

\*  
N  
O  
T  
E  
S  
\*

|                           |
|---------------------------|
| INVERTER TORQUE: NONE     |
| INV. HP SPEED RANGE: NONE |
| ENCODER: NONE             |
| NONE NONE                 |
| NONE NONE PPR             |
| BRAKE: NONE NONE          |
| NONE P/N NONE             |
| NONE NONE                 |
| NONE FT-LB NONE V NONE Hz |

Uncontrolled Copy

\*\* Subject to change without notice.