

PRODUCT INFORMATION PACKET

Modal No: 048S17D2053
Catalog No: B322
1/6,1725,DP,48YZ,1/60/115
Fan and Blower



Regal and Marathon are trademarks of Regal Beloit Corporation or one of its affiliated companies.
©2017 Regal Beloit Corporation, All Rights Reserved. MC017097E

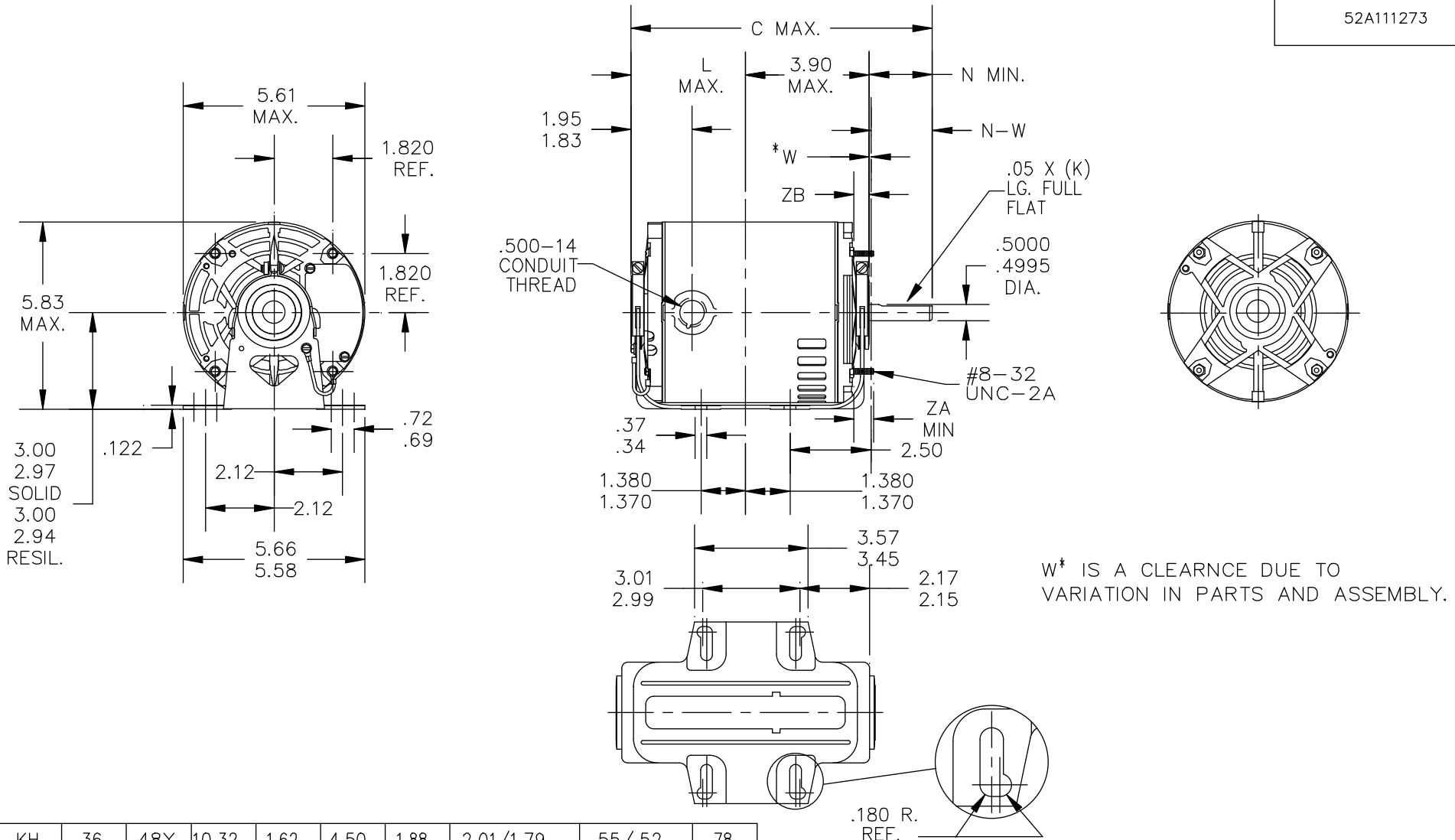


Nameplate Specifications

Output HP	0.17 Hp	Output KW	0.13 kW
Frequency	60 Hz	Voltage	115 V
Current	3.6 A	Speed	1725 rpm
Service Factor	1.35	Phases	1
Efficiency	55 %	Duty	CONTINUOUS
Insulation Class	B	Design Code	NO DESIGN CODE
KVA Code	S	Frame	48Y
Enclosure	DP	Overload Protector	AUTOMATIC
Ambient Temperature	40 °C	Drive End Bearing Size	6203
Opp Drive End Bearing Size	6203	UL	Recognized
CSA	Y	CE	Y
IP Code	22		

Technical Specifications

Electrical Type	SPLIT PHASE	Starting Method	ACROSS THE LINE
Poles	4	Rotation	SELECTIVE CCW
Mounting	RESILIENT BASE-EXTENDED STUDS	Motor Orientation	HORIZONTAL
Drive End Bearing	BALL	Opp Drive End Bearing	BALL
Frame Material	ROLLED STEEL	Shaft Type	SGL SPL EXT
Overall Length	9.32 in	Shaft Diameter	0.5 in
Shaft Extension	1.88 in	Assembly/Box Mounting	F1 ONLY



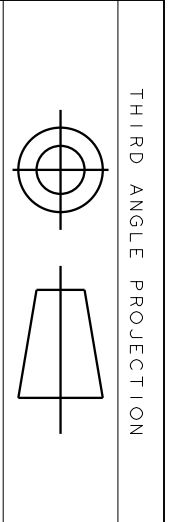
2	KH	36	48Y	10.32	1.62	4.50	1.88	2.01/1.79	.55/.52	.78
1	KH	32	48Y	9.32	1.62	3.59	1.88	2.01/1.79	.55/.52	.78
P	TYPE	RBC SIZE	NEMA FR	C	K	L	N	N-W	ZB	ZA

NO.	REVISION	BY & DATE	CHK	TOLERANCES UNLESS SPECIFIED	
				DEC.	INCHES
5	LOGO WAS DAYTON	PVR 06/13/13	ST	.X	±0.1
4	CHANGED 'ZA' DIMENSION PER IS12-5406	UD 11/07/12	DS	.XX	±0.02
3	UPDATED AS PER IS05-2299	PKG 09/14/05		.XXX	±0.005
2	CHG MADE PER IS05-1477	PKG 06/29/05		.XXXX	±0.0005
				ANG	±7'30"



TITLE: OUTLINE
 DRIP PROOF- RESIL. BASE - BALL
 MAT'L.
 FINISH: 3 of 6

DRAWN	DS 01/05/05
CHK	
APPD	DS 01/05/05
SCALE	1=1
REF	
FMF	
PREV	



REV.	DESCRIPTION	DATE	APPROVED
6	UPDATED FORMAT	12/01/05	MAM

EITHER ROTATION-SINGLE VOLTAGE-TYPE KC OR KH-WITH THERMAL PROTECTOR



NOTE #1 - TO REVERSE ROTATION INTERCHANGE RED (T8) AND BLACK (J9-KC OR T5-KH) LEADS.
 NOTE #2 - WHEN MORE THAN ONE CAPACITOR IS USED CONNECT IN PARALLEL.

SWITCH (C) - 115D958AB REF. DIAG. - 121A851 CONN. LABEL - 52X332048

SIGNATURES	DATE
MODEL M.D. PAPE	06/29/87
DETAIL	
CHECKED	
ENGRG	
MFG	
QUALITY	
ISSUED	M.D.P. 03/08/00
SOLID MODEL: 52A105379AA	



REGAL-BELOIT CORPORATION

TITLE CONNECTION DIAGRAM

FMF - 30 FR SWITCH REDESIGN

SIZE DRAWING A SCALE: 1.000 REF. No.: 52A105379AA REV 6

CERTIFICATION DATA SHEET

Model#: 48S17D2053 P WINDING#: 52X331756P1 NONE 0
 CONN. DIAGRAM: 52A105379AA ASSEMBLY: F1 ONLY
 OUTLINE: 52A111273P1

TYPICAL MOTOR PERFORMANCE DATA

HP	KW	SYNC. RPM	F.L. RPM	FRAME	ENCLOSURE	KVA CODE	DESIGN
1/6	0.13	1800	1725	48Y	DP	S	NO DESIGN CODE

PH	Hz	VOLTS	FL AMPS	START TYPE	DUTY	INSL	S.F	AMB°C	ELEVATION
1	60	115	3.6	ACROSS THE LINE	CONTINUOUS	B3	1.35	40	3300

FULL LOAD EFF: 55	3/4 LOAD EFF: 50.2	1/2 LOAD EFF: 41.7	GTD. EFF	ELEC. TYPE	NO LOAD AMPS
FULL LOAD PF: 32.1	3/4 LOAD PF: 27.9	1/2 LOAD PF: 23.4	74	SPLIT PHASE	-

F.L. TORQUE	LOCKED ROTOR AMPS	L.R. TORQUE	B.D. TORQUE	F.L. RISE°C
8.19 LB-FT	23.3	17.72 LB-FT 217	22.65 LB-FT 277	0

SOUND PRESSURE @ 3 FT.	SOUND POWER	ROTOR WK^2	MAX. WK^2	SAFE STALL TIME	STARTS /HOUR	APPROX. MOTOR WGT
0 dBA	10 dBA	0 LB-FT^2	0 LB-FT^2	10 SEC.	2	0 LBS.

*** SUPPLEMENTAL INFORMATION ***

DE BRACKET TYPE	ODE BRACKET TYPE	MOUNT TYPE	ORIENTATION	SEVERE DUTY	HAZARDOUS LOCATION	DRIP COVER	SCREENS	PAINT
STANDARD	STANDARD	RESILIENT BASE-EXTENDED STUDS	HORIZONTAL	FALSE	NONE	FALSE	NONE	GRAY (POWDER)

BEARINGS		GREASE	SHAFT TYPE	SPECIAL DE	SPECIAL ODE	SHAFT MATERIAL	FRAME MATERIAL
DE	OPE						
BALL	BALL	BEACON 325	SGL SPL EXT	0.500 x 1.88 IN SEF WITH 1.62 IN FULL FLAT	NONE	1144 STRESSPROOF (C-223)	ROLLED STEEL
6203	6203						

THERMO-PROTECTORS				THERMISTORS	CONTROL	SPACE /n HEATERS
THERMOSTATS	PROTECTORS	WDG RTDs	BRG RTDs			
NONE	AUTOMATIC	NONE	NONE	NONE	FALSE	NONE VOLTS

If Inverter equals NONE, contact factory for further information

*
N
O
T
E
*

INVERTER TORQUE: NONE
INV. HP SPEED RANGE: NONE
ENCODER: NONE
NONE NONE
NONE NONE PPR
BRAKE: NONE NONE
NONE P/N NONE
NONE NONE
NONE FT-LB NONE V NONE Hz

Uncontrolled Copy

** Subject to change without notice.