

PRODUCT INFORMATION PACKET

Modal No: 048S17D2054
Catalog No: B302
1/4,1725,DP,48Y,1/60/115
Fan and Blower



Regal and Marathon are trademarks of Regal Beloit Corporation or one of its affiliated companies.
©2017 Regal Beloit Corporation, All Rights Reserved. MC017097E



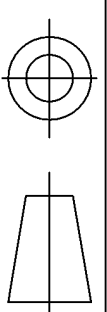
Nameplate Specifications

Output HP	0.25 Hp	Output KW	0.19 kW
Frequency	60 Hz	Voltage	115 V
Current	5 A	Speed	1725 rpm
Service Factor	1.35	Phases	1
Efficiency	57.5 %	Duty	CONTINUOUS
Insulation Class	B	Design Code	NO DESIGN CODE
KVA Code	P	Frame	48Z
Enclosure	DP	Overload Protector	NOT
Ambient Temperature	40 °C	Drive End Bearing Size	6203
Opp Drive End Bearing Size	6203	UL	Recognized
CSA	Y	CE	N
IP Code	22		

Technical Specifications

Electrical Type	SPLIT PHASE	Starting Method	ACROSS THE LINE
Poles	4	Rotation	SELECTIVE CCW
Mounting	RESILIENT BASE-EXTENDED STUDS	Motor Orientation	HORIZONTAL
Drive End Bearing	BALL	Opp Drive End Bearing	BALL
Frame Material	ROLLED STEEL	Shaft Type	SGL SPL EXT
Overall Length	9.57 in	Shaft Diameter	0.5 in
Shaft Extension	2.01 in	Assembly/Box Mounting	F1 ONLY

THIRD ANGLE PROJECTION



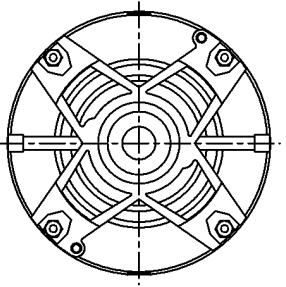
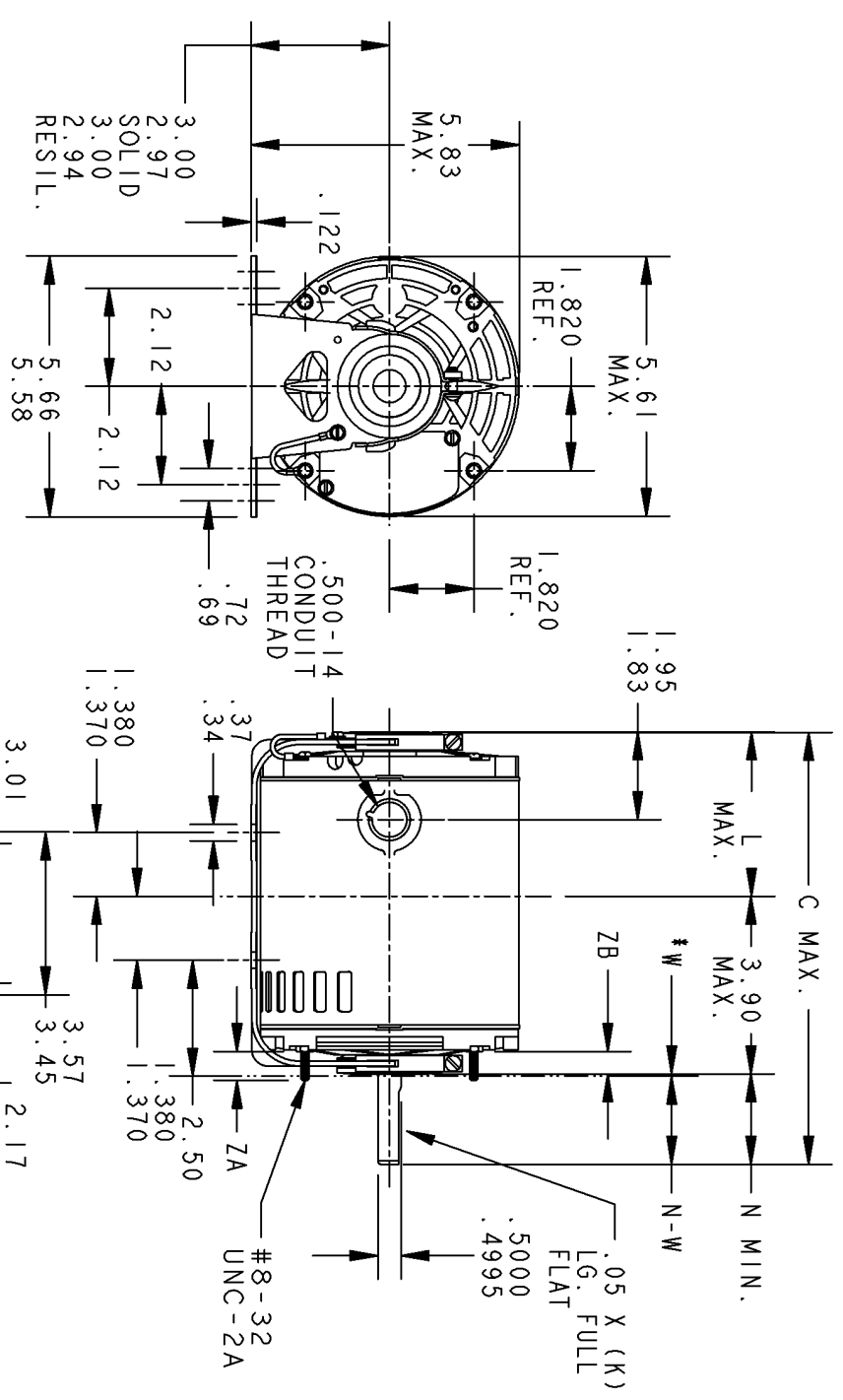
REVISIONS

REV.	DESCRIPTION	DATE	APPROVED
4	UPDATED FORMAT	10/05/05	MAM

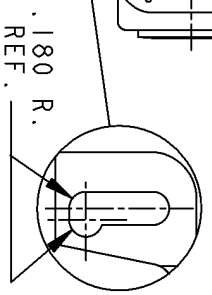
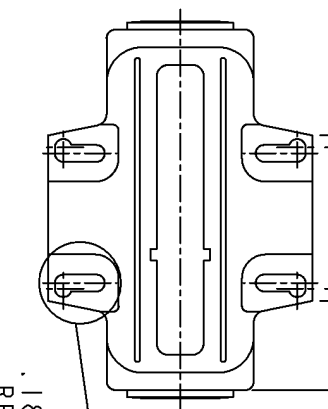
52A111268 4

SIZE DRAWING NO.

A



VIEW SHOWING P.E. VENTILATION OPENINGS



W* IS A CLEARANCE DUE TO VARIATION IN PARTS AND ASSEMBLY

I	KH	33	48Y	9.57	1.62	3.84	1.88	2.01/1.79	.55/.52	.76
P	TYPE	GE SIZE	NEMA FR	C	K	L	N	N-W	ZB	ZA



REGAL-BELOIT CORPORATION

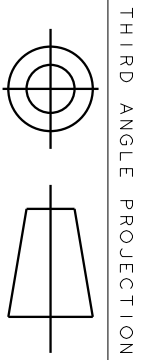
TITLE

FORM N - GENERAL PURPOSE MOTOR - DRIP PROOF
RESIL. BASE - BALL BEARING

SIGNATURES		DATE
MODEL	DURGA	12/15/04
DETAIL		
CHECKED		
ENGR		
MFG		
QUALITY		
ISSUED	DURGA	12/15/04
SOLID MODEL: 52A111268		

SIZE	DRAWING	REV
A		4

SCALE: 1.000 REF. No: SHEET 1 of 1

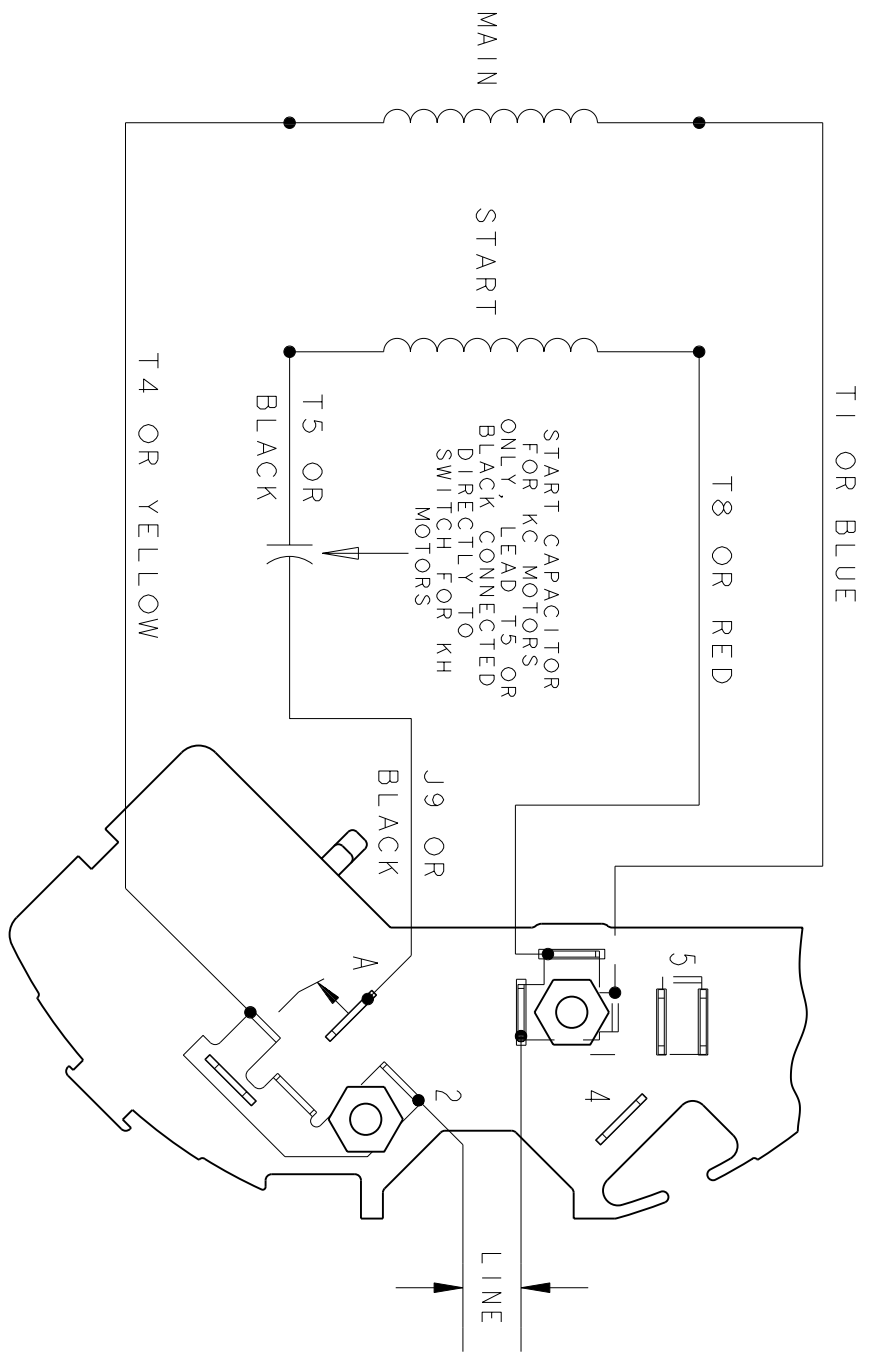


THIRD ANGLE PROJECTION

REVISIONS

REV.	DESCRIPTION	DATE	APPROVED
1	UPDATED FORMAT	11/10/05	MAM

EITHER ROTATION - SINGLE VOLTAGE
TYPE KC, OR KH



NOTE #1 - TO REVERSE ROTATION INTERCHANGE BLACK (T5-KH OR J9-KC) AND RED (T8) LEADS.

NOTE #2 - WHEN MORE THAN ONE CAPACITOR IS USED CONNECT IN PARALLEL.

REF. DIAG. - 121A850		SWITCH (C) - 115D958AB	
CONNECTION LABEL - 52X332047			
SIGNATURES			
MODEL	M.D. PAPER	DATE	
DETAIL			
CHECKED			
ENGRG			
MFG			
QUALITY			
ISSUED	M.D.P.	DATE	
MATERIAL	SOLID MODEL: 52A105377AA		

TITLE	
FME: 30 FRAME SWITCH REDESIGN	
SIZE	DRAWING
A	
SCALE: 1.000	REF. No: .

REGAL-BELOIT CORPORATION	
CONNECTION DIAGRAM	

FOR ADDITIONAL INFO REFER TO:
APPLIED PRACTICES
DIMENSIONS ARE IN INCHES