

PRODUCT INFORMATION PACKET

Modal No: 048S17D2055
Catalog No: B303
1/4,1725,DP,48Y,1/60/115
Fan and Blower



Regal and Marathon are trademarks of Regal Beloit Corporation or one of its affiliated companies.
©2017 Regal Beloit Corporation, All Rights Reserved. MC017097E



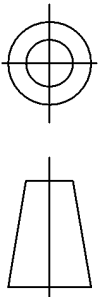
Nameplate Specifications

Output HP	0.25 Hp	Output KW	0.19 kW
Frequency	60 Hz	Voltage	115 V
Current	5 A	Speed	1725 rpm
Service Factor	1.35	Phases	1
Efficiency	57.5 %	Duty	CONTINUOUS
Insulation Class	B	Design Code	NO DESIGN CODE
KVA Code	P	Frame	48Y
Enclosure	DP	Overload Protector	AUTOMATIC
Ambient Temperature	40 °C	Drive End Bearing Size	6203
Opp Drive End Bearing Size	6203	UL	Recognized
CSA	Y	CE	N
IP Code	22		

Technical Specifications

Electrical Type	SPLIT PHASE	Starting Method	ACROSS THE LINE
Poles	4	Rotation	SELECTIVE CCW
Mounting	RESILIENT BASE-EXTENDED STUDS	Motor Orientation	HORIZONTAL
Drive End Bearing	BALL	Opp Drive End Bearing	BALL
Frame Material	ROLLED STEEL	Shaft Type	SGL SPL EXT
Overall Length	9.57 in	Shaft Diameter	0.5 in
Shaft Extension	1.87 in	Assembly/Box Mounting	F1 ONLY

THIRD ANGLE PROJECTION

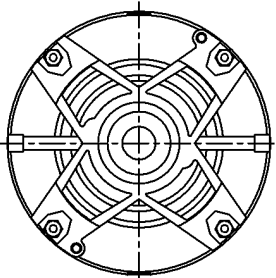
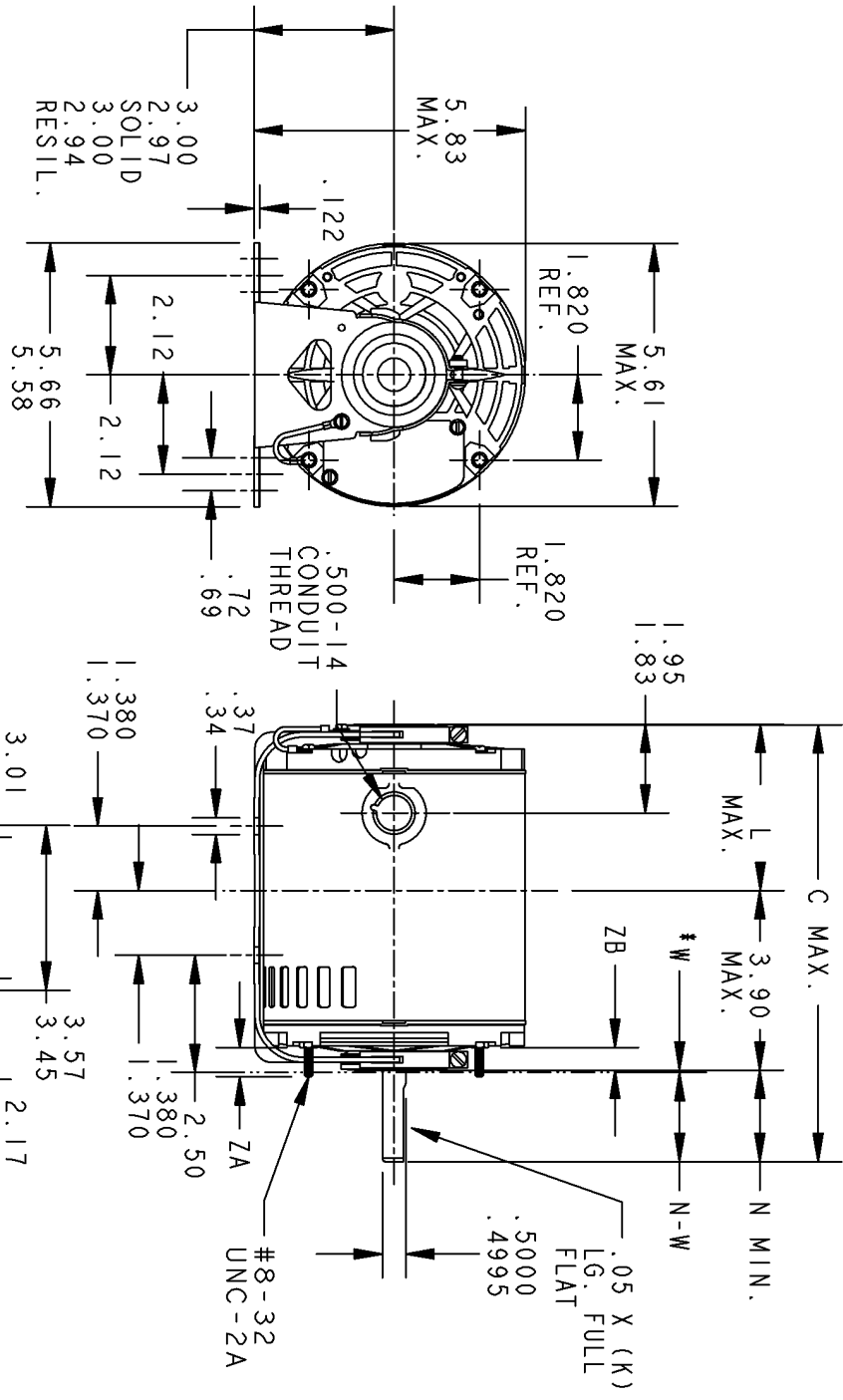


REVISIONS

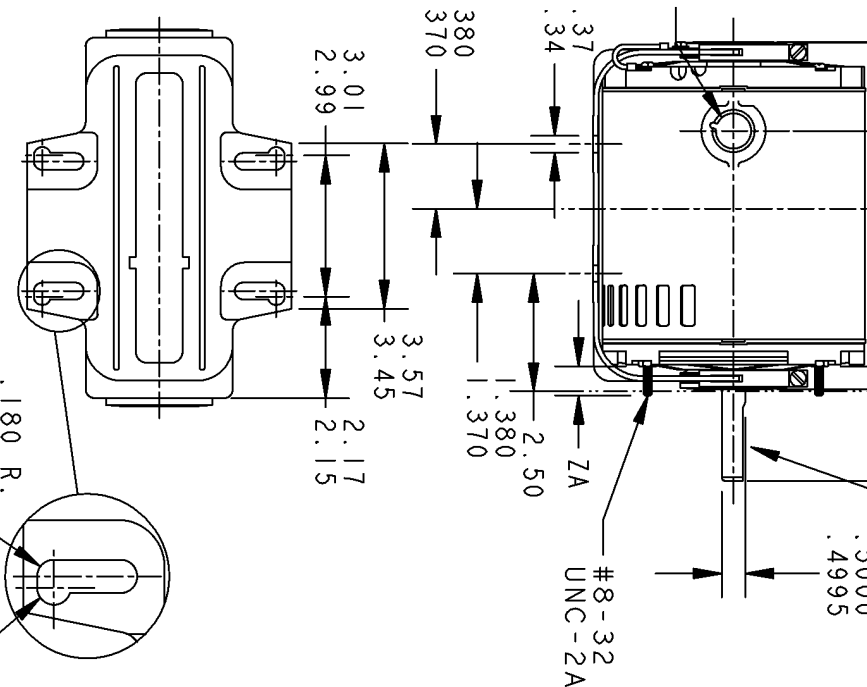
REV.	DESCRIPTION	DATE	APPROVED
4	UPDATED FORMAT	10/05/05	MAM

52A111268 4

SIZE A DRAWING NO.



VIEW SHOWING P.E. VENTILATION OPENINGS



W* IS A CLEARANCE DUE TO VARIATION IN PARTS AND ASSEMBLY

I	KH	33	48Y	9.57	1.62	3.84	1.88	2.01/1.79	.55/.52	.76
P	TYPE	GE	NEMA	C	K	L	N	N-W	ZB	ZA
	SIZE	FR								

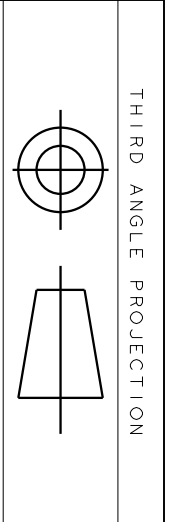
REGAL-BELOIT CORPORATION

OUTLINE

FORM N - GENERAL PURPOSE MOTOR - DRIP PROOF
RESIL. BASE - BALL BEARING

SIGNATURES	DATE
MODEL DURGA 12/15/04	
DETAIL	
CHECKED	
ENGRG	
MFG	
QUALITY	
ISSUED DURGA 12/15/04	
SOLID MODEL: 52A111268	

SCALE: 1.000 REF. No: .
SIZE: DRAWING A
52A111268 4 REV SHEET 1 of 1



REV.	DESCRIPTION	DATE	APPROVED
6	UPDATED FORMAT	12/01/05	MAM

EITHER ROTATION-SINGLE VOLTAGE-TYPE KC OR KH-WITH THERMAL PROTECTOR



NOTE #1 - TO REVERSE ROTATION INTERCHANGE RED (T8) AND BLACK (J9-KC OR T5-KH) LEADS.
 NOTE #2 - WHEN MORE THAN ONE CAPACITOR IS USED CONNECT IN PARALLEL.

SWITCH (C) - 115D958AB REF. DIAG. - 121A851 CONN. LABEL - 52X332048

SIGNATURES	DATE
MODEL M.D.PAPE	06/29/87
DETAIL	
CHECKED	
ENGRG	
MFG	
QUALITY	
ISSUED	M.D.P. 03/08/00
SOLID MODEL: 52A105379AA	

REGAL-BELOIT CORPORATION

REGAL-BELOIT

CONNECTION DIAGRAM

FMF - 30 FR SWITCH REDESIGN

SCALE: 1.000 REF. No.:

SIZE DRAWING A

52A105379AA

REV 6

SHEET 1 of 1