

PRODUCT INFORMATION PACKET

Modal No: 048S17D2057
Catalog No: B305
1/3,1725,DP,48YZ,1/60/115
Fan and Blower



Regal and Marathon are trademarks of Regal Beloit Corporation or one of its affiliated companies.
©2017 Regal Beloit Corporation, All Rights Reserved. MC017097E

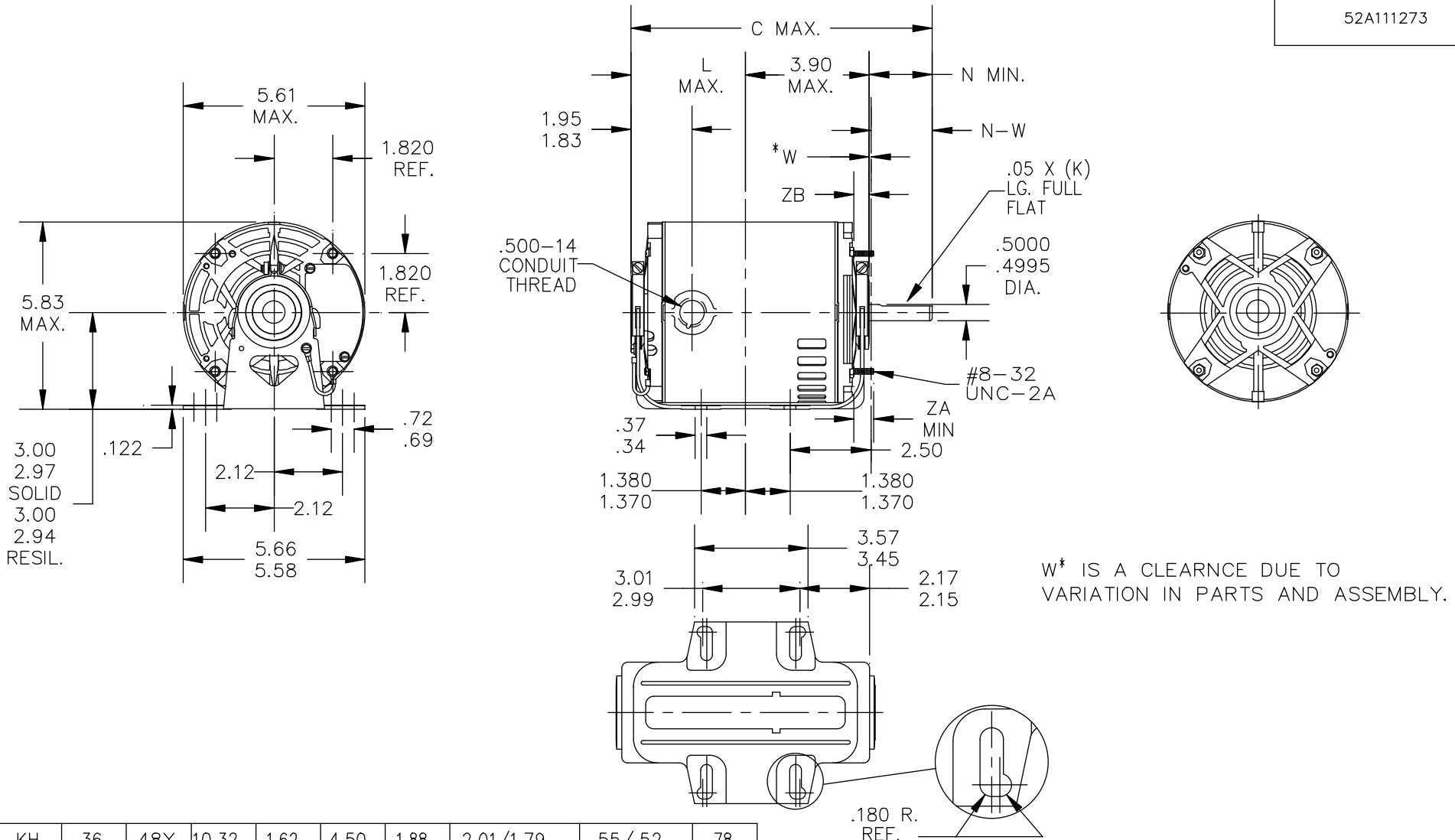


Nameplate Specifications

Output HP	0.33 Hp	Output KW	0.25 kW
Frequency	60 Hz	Voltage	115 V
Current	5.5 A	Speed	1725 rpm
Service Factor	1.35	Phases	1
Efficiency	64 %	Duty	CONTINUOUS
Insulation Class	B	Design Code	NO DESIGN CODE
KVA Code	M	Frame	48Y
Enclosure	DP	Overload Protector	AUTOMATIC
Ambient Temperature	40 °C	Drive End Bearing Size	6203
Opp Drive End Bearing Size	6203	UL	Recognized
CSA	Y	CE	N
IP Code	22		

Technical Specifications

Electrical Type	SPLIT PHASE	Starting Method	ACROSS THE LINE
Poles	4	Rotation	SELECTIVE CCW
Mounting	RESILIENT BASE-EXTENDED STUDS	Motor Orientation	HORIZONTAL
Drive End Bearing	BALL	Opp Drive End Bearing	BALL
Frame Material	ROLLED STEEL	Shaft Type	SGL SPL EXT
Overall Length	9.32 in	Shaft Diameter	0.5 in
Shaft Extension	2.01 in	Assembly/Box Mounting	F1 ONLY



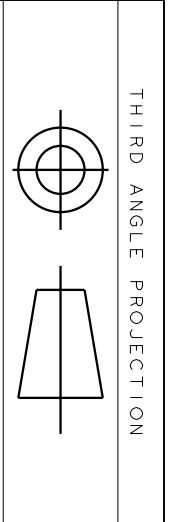
2	KH	36	48Y	10.32	1.62	4.50	1.88	2.01/1.79	.55/.52	.78
1	KH	32	48Y	9.32	1.62	3.59	1.88	2.01/1.79	.55/.52	.78
P	TYPE	RBC SIZE	NEMA FR	C	K	L	N	N-W	ZB	ZA

NO.	REVISION	BY & DATE	CHK	TOLERANCES UNLESS SPECIFIED	
				DEC.	INCHES
5	LOGO WAS DAYTON	PVR 06/13/13	ST	.X	±0.1
4	CHANGED 'ZA' DIMENSION PER IS12-5406	UD 11/07/12	DS	.XX	±0.02
3	UPDATED AS PER IS05-2299	PKG 09/14/05		.XXX	±0.005
2	CHG MADE PER IS05-1477	PKG 06/29/05		.XXXX	±0.0005
				ANG	±7'30"



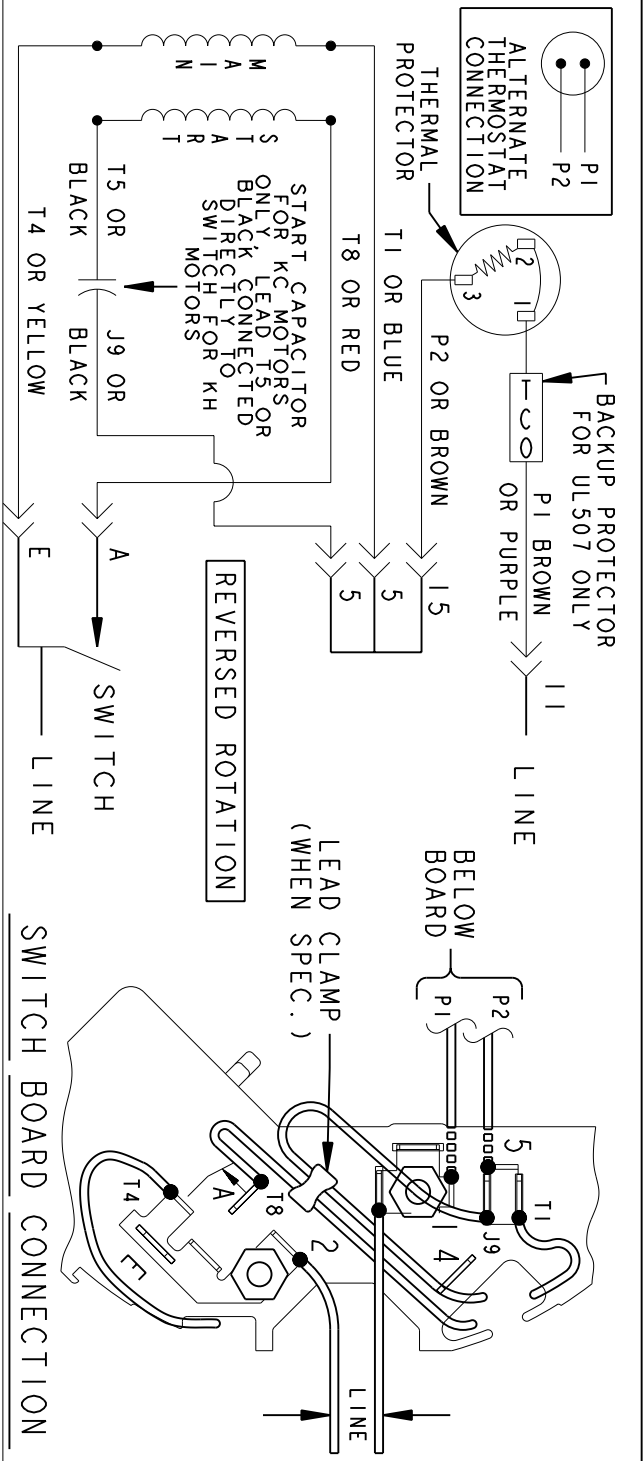
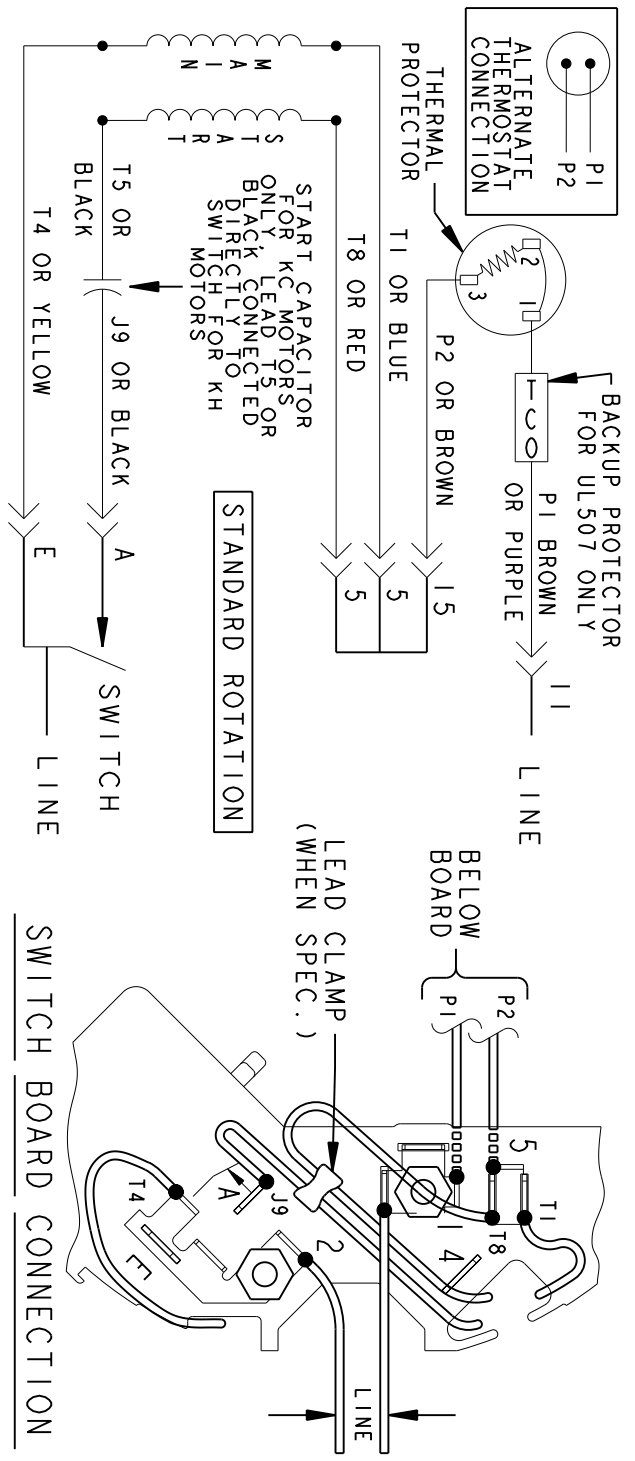
TITLE: OUTLINE
 DRIP PROOF- RESIL. BASE - BALL

DRAWN	DS 01/05/05
CHK	
APPD	DS 01/05/05
SCALE	1=1
REF	
FMF	
PREV	



REV.	DESCRIPTION	DATE	APPROVED
6	UPDATED FORMAT	12/01/05	MAM

EITHER ROTATION-SINGLE VOLTAGE-TYPE KC OR KH-WITH THERMAL PROTECTOR



NOTE #1 - TO REVERSE ROTATION INTERCHANGE RED (T8) AND BLACK (J9-KC OR T5-KH) LEADS.
 NOTE #2 - WHEN MORE THAN ONE CAPACITOR IS USED CONNECT IN PARALLEL.

SWITCH (C) - 115D958AB REF. DIAG. - 121A851 CONN. LABEL - 52X332048

SIGNATURES	DATE
MODEL M.D. PAPE	06/29/87
DETAIL	
CHECKED	
ENGRG	
MFG	
QUALITY	
ISSUED	M.D.P. 03/08/00
SOLID MODEL: 52A105379AA	

REGAL-BELOIT CORPORATION

REGAL-BELOIT

TITLE: **CONNECTION DIAGRAM**

SIZE: DRAWING A

SCALE: 1.000 REF. No.:

30 FR SWITCH REDESIGN

52A105379AA

REV 6

SHEET 1 of 1