

# PRODUCT INFORMATION PACKET

Modal No: 048S17D2058  
Catalog No: B306  
1/2,1725,DP,48Y,1/60/115  
Fan and Blower



Regal and Marathon are trademarks of Regal Beloit Corporation or one of its affiliated companies.  
©2017 Regal Beloit Corporation, All Rights Reserved. MC017097E

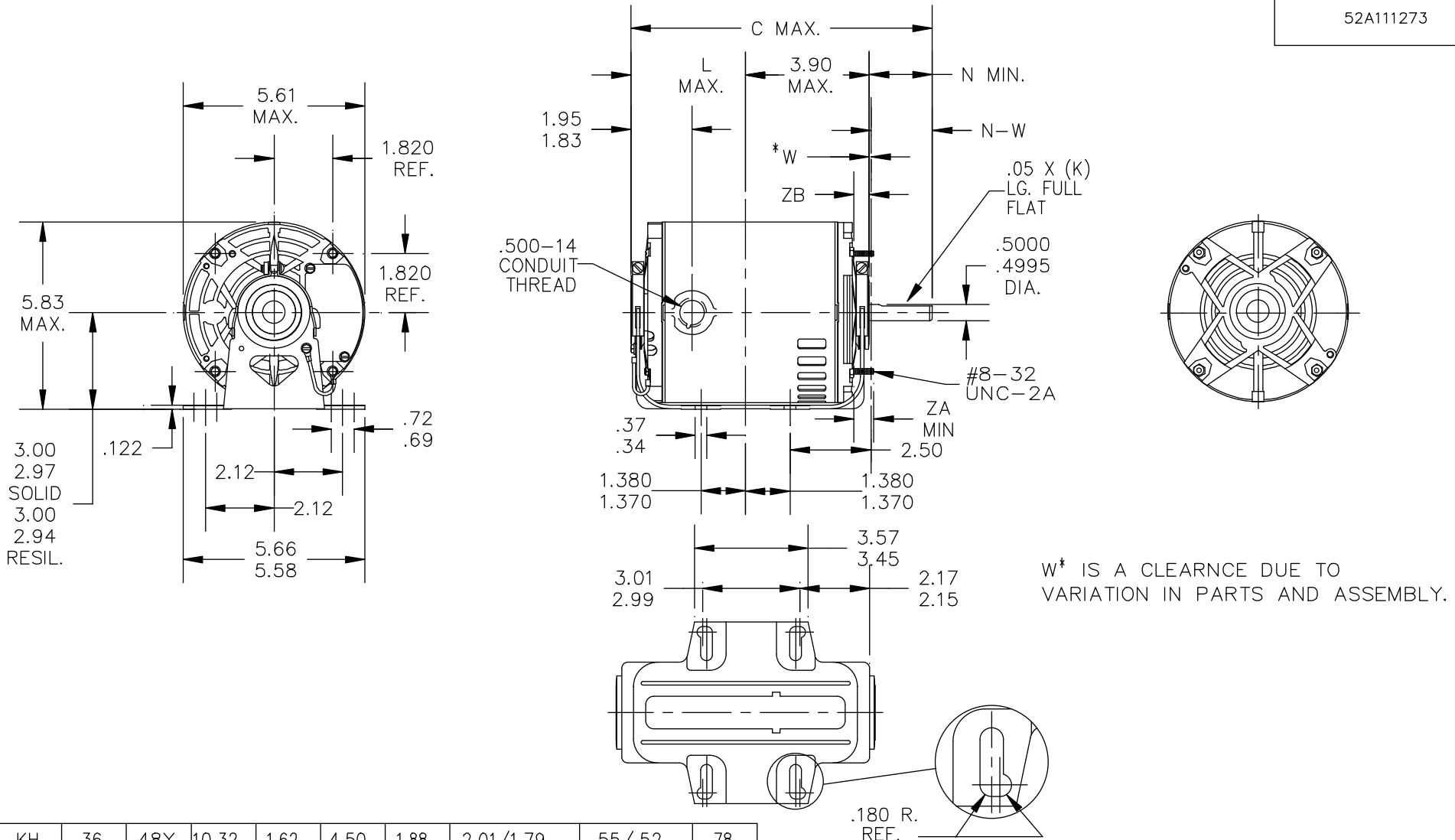


## Nameplate Specifications

Output HP	<b>0.5 Hp</b>	Output KW	<b>0.37 kW</b>
Frequency	<b>60 Hz</b>	Voltage	<b>115 V</b>
Current	<b>7.5 A</b>	Speed	<b>1725 rpm</b>
Service Factor	<b>1.25</b>	Phases	<b>1</b>
Efficiency	<b>66 %</b>	Duty	<b>CONTINUOUS</b>
Insulation Class	<b>B</b>	Design Code	<b>NO DESIGN CODE</b>
KVA Code	<b>M</b>	Frame	<b>48Y</b>
Enclosure	<b>DP</b>	Overload Protector	<b>NOT</b>
Ambient Temperature	<b>40 °C</b>	Drive End Bearing Size	<b>6203</b>
Opp Drive End Bearing Size	<b>6203</b>	UL	<b>Recognized</b>
CSA	<b>Y</b>	CE	<b>N</b>
IP Code	<b>22</b>		


## Technical Specifications

Electrical Type	<b>SPLIT PHASE</b>	Starting Method	<b>ACROSS THE LINE</b>
Poles	<b>4</b>	Rotation	<b>SELECTIVE CCW</b>
Mounting	<b>RESILIENT BASE-EXTENDED STUDS</b>	Motor Orientation	<b>HORIZONTAL</b>
Drive End Bearing	<b>BALL</b>	Opp Drive End Bearing	<b>BALL</b>
Frame Material	<b>ROLLED STEEL</b>	Shaft Type	<b>SGL SPL EXT</b>
Overall Length	<b>10.32 in</b>	Shaft Diameter	<b>0.5 in</b>
Shaft Extension	<b>1.88 in</b>	Assembly/Box Mounting	<b>F1 ONLY</b>



2	KH	36	48Y	10.32	1.62	4.50	1.88	2.01/1.79	.55/.52	.78
1	KH	32	48Y	9.32	1.62	3.59	1.88	2.01/1.79	.55/.52	.78
P	TYPE	RBC SIZE	NEMA FR	C	K	L	N	N-W	ZB	ZA

				TOLERANCES UNLESS SPECIFIED		DRAWN DS 01/05/05	
				DEC.	INCHES	CHK	
5	LOGO WAS DAYTON	PVR	06/13/13	ST	.X	±0.1	APPD DS 01/05/05
4	CHANGED 'ZA' DIMENSION PER IS12-5406	UD	11/07/12	DS	.XX	±0.02	SCALE 1=1
3	UPDATED AS PER IS05-2299	PKG	09/14/05		.XXX	±0.005	REF
2	CHG MADE PER IS05-1477	PKG	06/29/05		.XXXX	±0.0005	FMF
NO.	REVISION	BY & DATE	CHK	ANG	±7'30"	FINISH	PREV



**MARATHON**  
ELECTRIC

TITLE

OUTLINE

DRIP PROOF- RESIL. BASE - BALL

3 of 4

