

PRODUCT INFORMATION PACKET

Modal No: 048S17D2059
Catalog No: B307
1/2,1725,DP,48Y,1/60/115
Fan and Blower



Regal and Marathon are trademarks of Regal Beloit Corporation or one of its affiliated companies.
©2017 Regal Beloit Corporation, All Rights Reserved. MC017097E

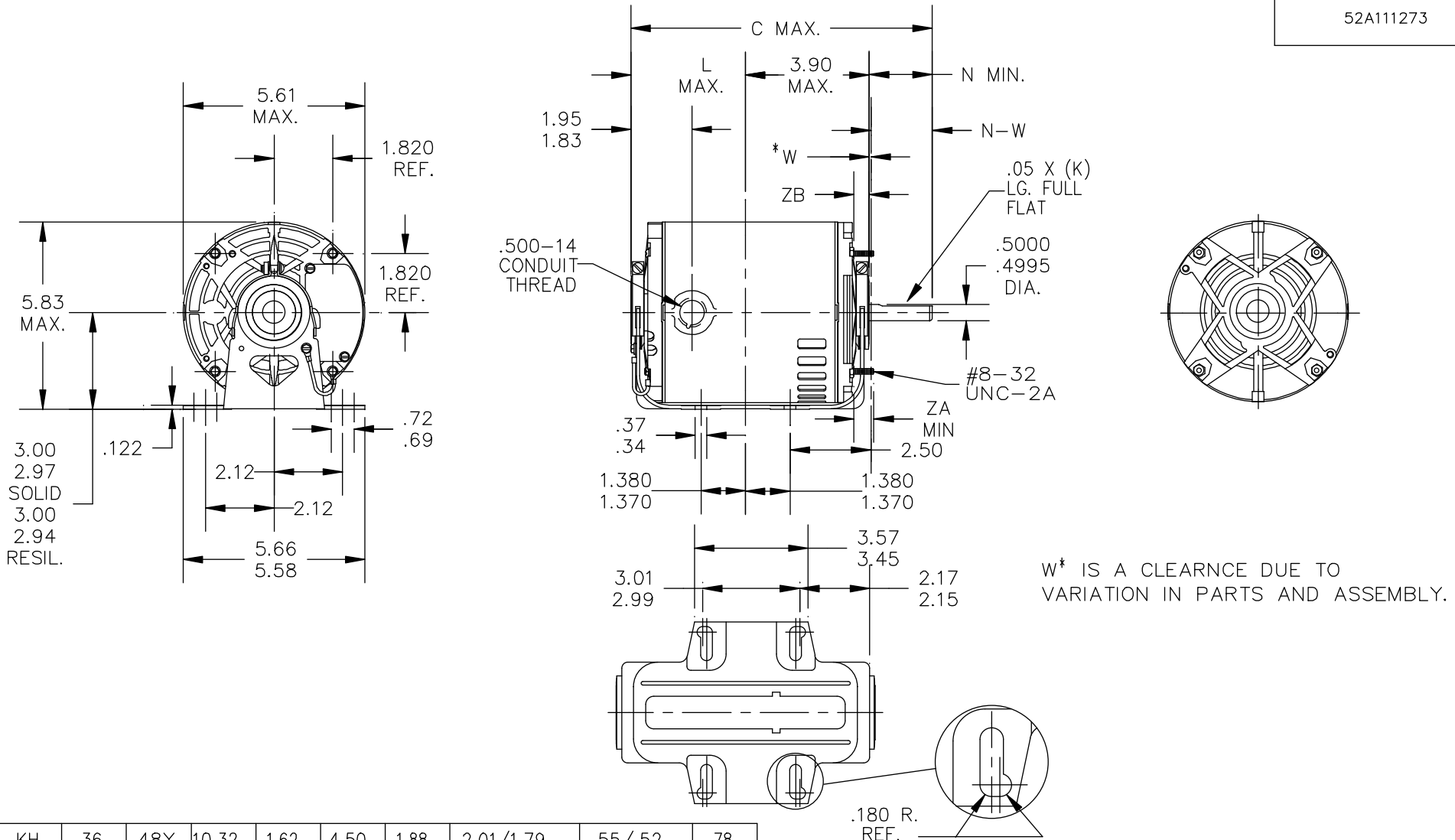


Nameplate Specifications

| | | | |
|----------------------------|---------------|------------------------|-----------------------|
| Output HP | 0.5 Hp | Output KW | 0.37 kW |
| Frequency | 60 Hz | Voltage | 115 V |
| Current | 7.5 A | Speed | 1725 rpm |
| Service Factor | 1.25 | Phases | 1 |
| Efficiency | 66 % | Duty | CONTINUOUS |
| Insulation Class | B | Design Code | NO DESIGN CODE |
| KVA Code | M | Frame | 48Y |
| Enclosure | DP | Overload Protector | AUTOMATIC |
| Ambient Temperature | 40 °C | Drive End Bearing Size | 6203 |
| Opp Drive End Bearing Size | 6203 | UL | Recognized |
| CSA | Y | CE | N |
| IP Code | 22 | | |

Technical Specifications

| | | | |
|-------------------|--------------------------------------|-----------------------|------------------------|
| Electrical Type | SPLIT PHASE | Starting Method | ACROSS THE LINE |
| Poles | 4 | Rotation | SELECTIVE CCW |
| Mounting | RESILIENT BASE-EXTENDED STUDS | Motor Orientation | HORIZONTAL |
| Drive End Bearing | BALL | Opp Drive End Bearing | BALL |
| Frame Material | ROLLED STEEL | Shaft Type | SGL SPL EXT |
| Overall Length | 10.32 in | Shaft Diameter | 0.5 in |
| Shaft Extension | 2.01 in | Assembly/Box Mounting | F1 ONLY |



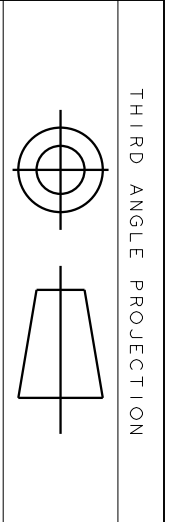
| | | | | | | | | | | |
|---|------|----------|---------|-------|------|------|------|-----------|---------|-----|
| 2 | KH | 36 | 48Y | 10.32 | 1.62 | 4.50 | 1.88 | 2.01/1.79 | .55/.52 | .78 |
| 1 | KH | 32 | 48Y | 9.32 | 1.62 | 3.59 | 1.88 | 2.01/1.79 | .55/.52 | .78 |
| P | TYPE | RBC SIZE | NEMA FR | C | K | L | N | N-W | ZB | ZA |

| NO. | REVISION | BY & DATE | CHK | TOLERANCES UNLESS SPECIFIED | |
|-----|--------------------------------------|--------------|-----|-----------------------------|---------|
| | | | | DEC. | INCHES |
| 5 | LOGO WAS DAYTON | PVR 06/13/13 | ST | .X | ±0.1 |
| 4 | CHANGED 'ZA' DIMENSION PER IS12-5406 | UD 11/07/12 | DS | .XX | ±0.02 |
| 3 | UPDATED AS PER IS05-2299 | PKG 09/14/05 | | .XXX | ±0.005 |
| 2 | CHG MADE PER IS05-1477 | PKG 06/29/05 | | .XXXX | ±0.0005 |
| | | | | ANG | ±7'30" |



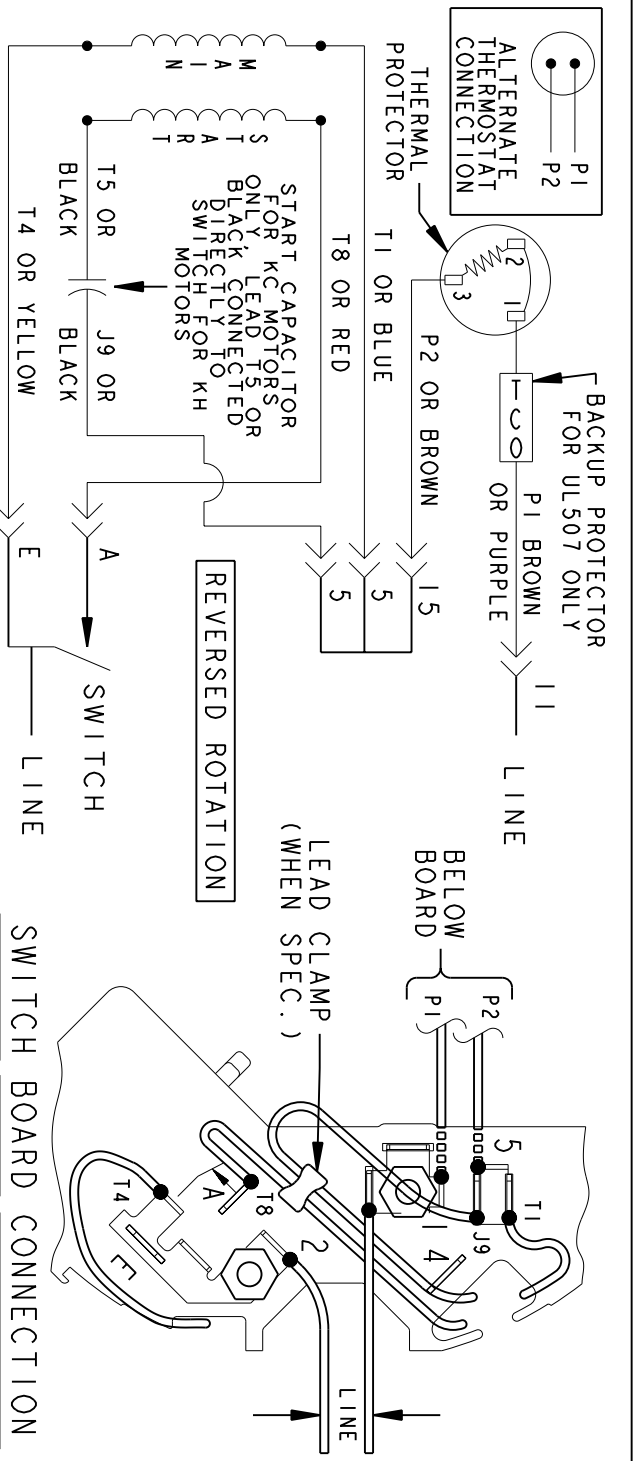
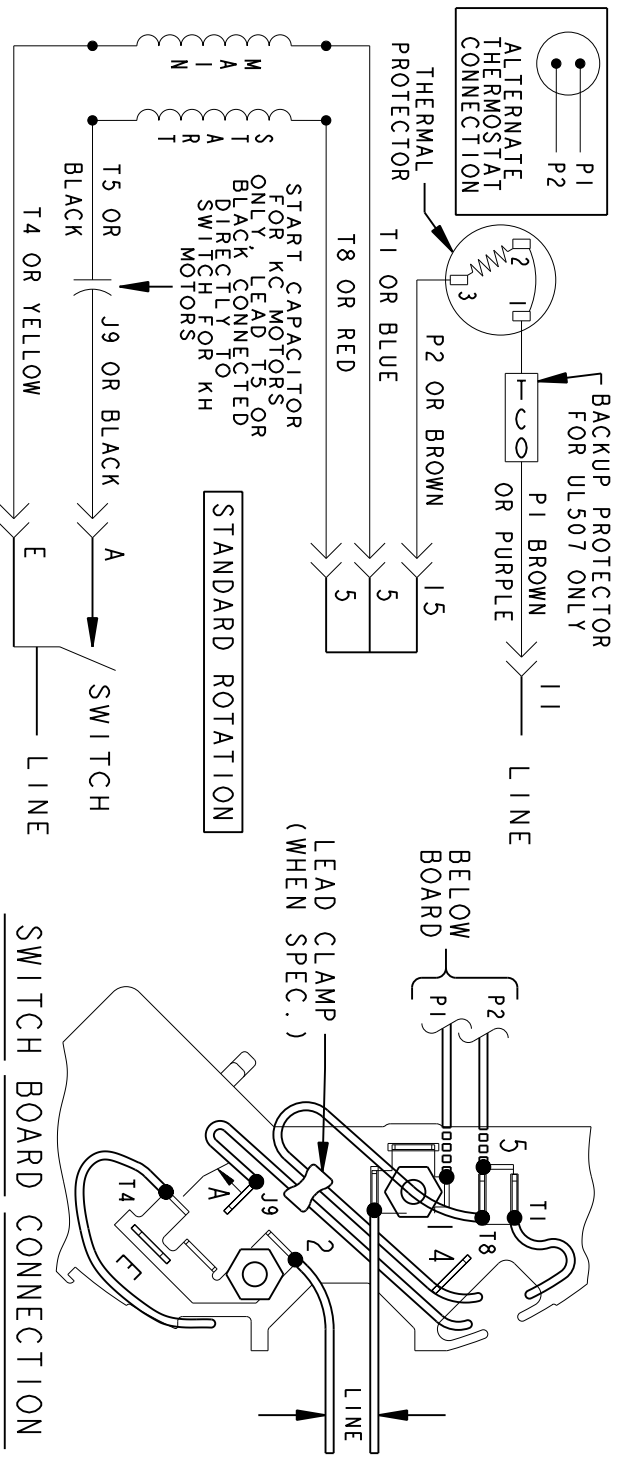
TITLE: OUTLINE
 DRIP PROOF- RESIL. BASE - BALL

| | |
|-------|-------------|
| DRAWN | DS 01/05/05 |
| CHK | |
| APPD | DS 01/05/05 |
| SCALE | 1=1 |
| REF | |
| FMF | |
| PREV | |



| REV. | DESCRIPTION | DATE | APPROVED |
|------|----------------|----------|----------|
| 6 | UPDATED FORMAT | 12/01/05 | MAM |

EITHER ROTATION-SINGLE VOLTAGE-TYPE KC OR KH-WITH THERMAL PROTECTOR



NOTE #1 - TO REVERSE ROTATION INTERCHANGE RED (T8) AND BLACK (J9-KC OR T5-KH) LEADS.
 NOTE #2 - WHEN MORE THAN ONE CAPACITOR IS USED CONNECT IN PARALLEL.

SWITCH (C) - 115D958AB REF. DIAG. - 121A851 CONN. LABEL - 52X332048

| SIGNATURES | DATE |
|--------------------------|-----------------|
| MODEL M.D.PAPE | 06/29/87 |
| DETAIL | |
| CHECKED | |
| ENGRG | |
| MFG | |
| QUALITY | |
| ISSUED | M.D.P. 03/08/00 |
| SOLID MODEL: 52A105379AA | |

REGAL-BELOIT CORPORATION

REGAL-BELOIT

CONNECTION DIAGRAM

FMF - 30 FR SWITCH REDESIGN

SCALE: 1.000 REF. No.:

52A105379AA

REV 6

SHEET 1 of 1