

PRODUCT INFORMATION PACKET

Modal No: 048S17D2116
Catalog No: B606
1/4,1725,DP,48Z,1/60/277
Fan and Blower



Regal and Marathon are trademarks of Regal Beloit Corporation or one of its affiliated companies.
©2017 Regal Beloit Corporation, All Rights Reserved. MC017097E

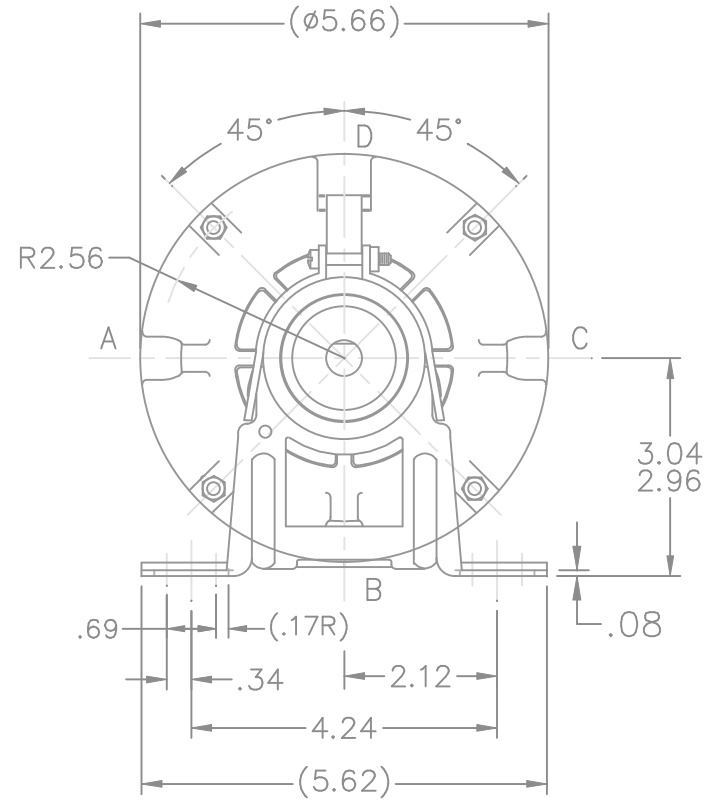
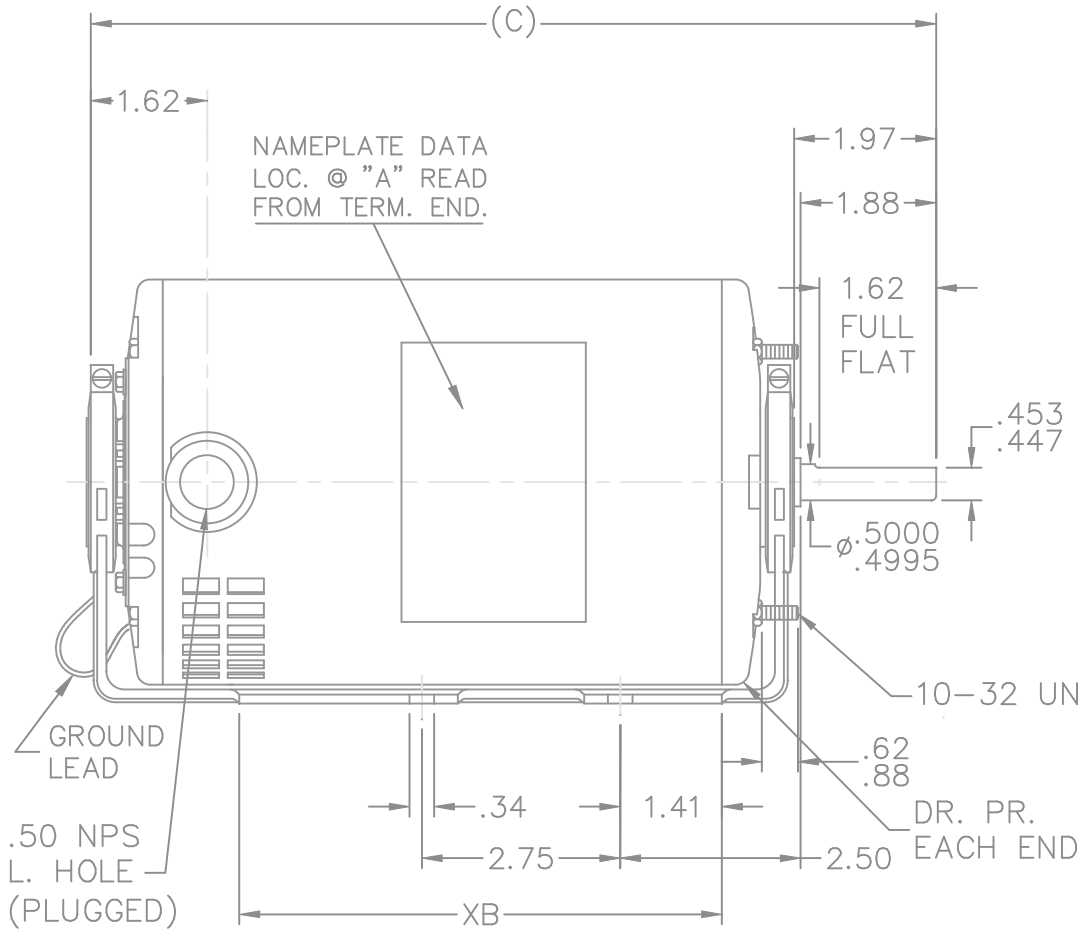


Nameplate Specifications

Output HP	0.25 Hp	Output KW	0.19 kW
Frequency	60 Hz	Voltage	277 V
Current	2.1 A	Speed	1725 rpm
Service Factor	1.35	Phases	1
Efficiency	59.5 %	Duty	CONTINUOUS
Insulation Class	B	Design Code	NO DESIGN CODE
KVA Code	P	Frame	48Z
Enclosure	DP	Overload Protector	NOT
Ambient Temperature	40 °C	Drive End Bearing Size	6203
Opp Drive End Bearing Size	6203	UL	Recognized
CSA	Y	CE	N
IP Code	22		

Technical Specifications

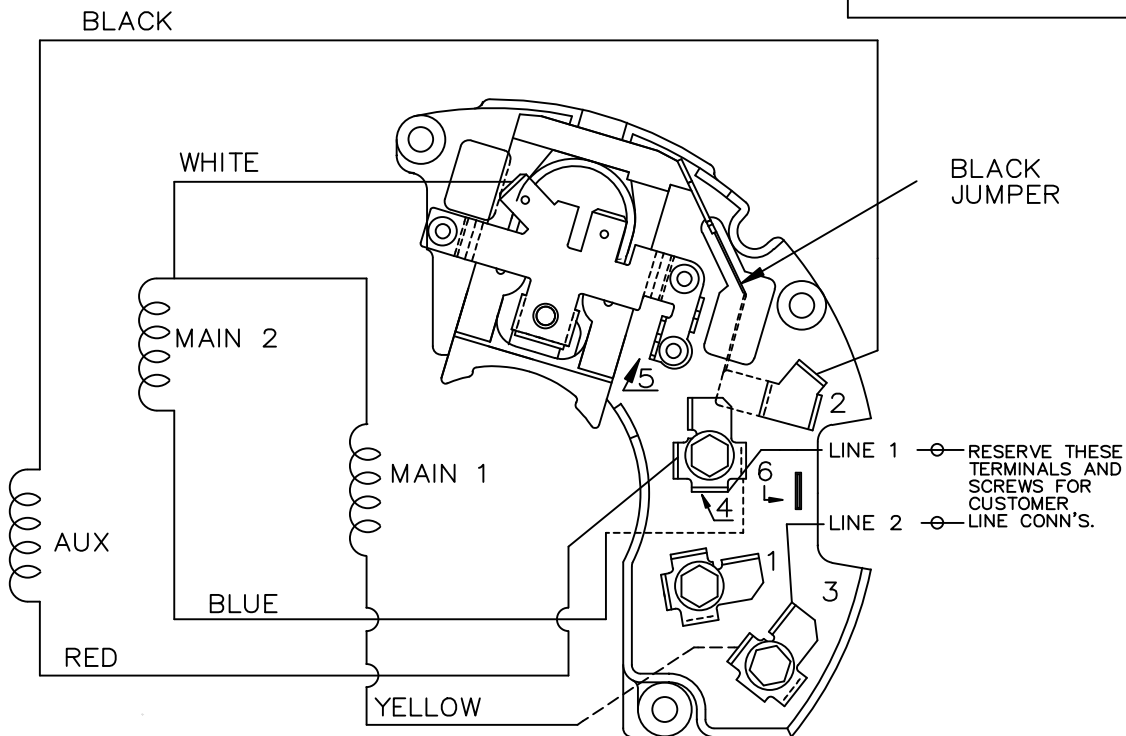
Electrical Type	SPLIT PHASE	Starting Method	ACROSS THE LINE
Poles	4	Rotation	SELECTIVE CCW
Mounting	RESILIENT BASE-EXTENDED STUDS	Motor Orientation	HORIZONTAL
Drive End Bearing	BALL	Opp Drive End Bearing	BALL
Frame Material	ROLLED STEEL	Shaft Type	SGL SPL EXT
Overall Length	9.47 in	Frame Length	5.5 in
Shaft Diameter	0.5 in	Shaft Extension	1.97 in
Assembly/Box Mounting	F1 ONLY		



TERM. END

DASH	FRAME	XB	C	DASH	FRAME	XB	C
550	48	5.69	9.47	650	48	6.69	10.47
575	48	5.94	9.72				
625	48	6.44	10.22				

				TOLERANCES UNLESS SPECIFIED			DRAWN RM 05-26-1992						
				DEC.	INCHES		CHK ML 05-26-1992						
				.X	±.1	TITLE OUTLINE	APPD GK 05-26-1992						
3	UPDATED DRAWING		TJW 04/20/2007	.XX	±.03		SCALE 3=8						
2	REDRAWN IN AUTOCAD		TAT 08-03-2004	ML	.XXX	±.005	REF						
1	NEW DRAWING		3917460 RM 05-28-1992		.XXXX	±.0005	FMF						
NO.	REVISION		BY & DATE	CHK	ANG	±'	PREV						
	THIS DRAWING IN DESIGN AND DETAIL IS OUR PROPERTY AND MUST NOT BE USED EXCEPT IN CONNECTION WITH OUR WORK ALL RIGHTS OF DESIGN AND INVENTION ARE RESERVED THIS IS AN ELECTRONICALLY GENERATED DOCUMENT - DO NOT SCALE THIS PRINT			RFP			CAD FILE	ss75570	SIZE	DRAWING NO.	PAGE	OF	REV.
				DIST	WP			A	SS75570				3

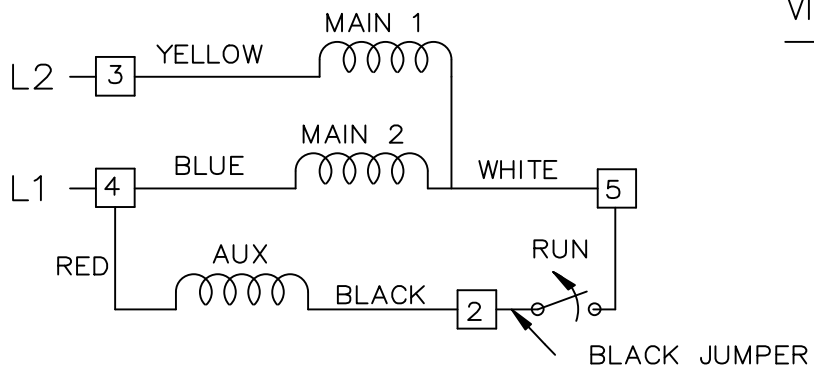



SINGLE HIGH VOLTAGE CAPACITOR START
REVERSIBLE ON TERM BOARD
NO OVERLOAD PROTECTION

VIEWING TERM END

CCW ROTATION SHOWN

TO REVERSE ROTATION INTERCHANGE
RED LEAD WITH BLACK LEAD



			TOLERANCES UNLESS SPECIFIED		 REGAL-BELOIT CORPORATION	DRAWN TJW 6/28/2010	
			DEC.	INCHES		CHK CTO 6/28/2010	
			.X	± -		APPD EH 6/28/2010	
			.XX	± -		SCALE	
			.XXX	± -		REF	
			.XXXX	± -	TITLE CONNECTION DIAGRAM 48 FR. SINGLE VOLTAGE REVERSIBLE	FMF ISAAC10-2159	
NO.	REVISION	BY & DATE	CHK	ANG	MAT'L.	PREV	
THIS DRAWING IN DESIGN AND DETAIL IS OUR PROPERTY AND MUST NOT BE USED EXCEPT IN CONNECTION WITH OUR WORK ALL RIGHTS OF DESIGN AND INVENTION ARE RESERVED THIS IS AN ELECTRONICALLY GENERATED DOCUMENT - DO NOT SCALE THIS PRINT			RFP	6/28/2010	CAD FILE EE7195AS	SIZE A	DRAWING NO. EE7195AS
			DIST			PAGE OF	REV.

CERTIFICATION DATA SHEET

Model#: 48S17D2116 H WINDING#: SE48459 NONE 5
 CONN. DIAGRAM: A-EE7195AS ASSEMBLY: F1 ONLY
 OUTLINE: A-SS75570-550

TYPICAL MOTOR PERFORMANCE DATA

HP	KW	SYNC. RPM	F.L. RPM	FRAME	ENCLOSURE	KVA CODE	DESIGN
1/4	0.19	1800	1725	48Z	DP	P	NO DESIGN CODE

PH	Hz	VOLTS	FL AMPS	START TYPE	DUTY	INSL	S.F	AMB°C	ELEVATION
1	60	277	2.1	ACROSS THE LINE	CONTINUOUS	B3	1.35	40	3300

FULL LOAD EFF: 59.5	3/4 LOAD EFF: 56.7	1/2 LOAD EFF: 48.3	GTD. EFF	ELEC. TYPE	NO LOAD AMPS
FULL LOAD PF: 53.5	3/4 LOAD PF: 50.6	1/2 LOAD PF: 42.4	0	SPLIT PHASE	1.6

F.L. TORQUE	LOCKED ROTOR AMPS	L.R. TORQUE	B.D. TORQUE	F.L. RISE°C
12.1 LB-FT	11	17.3 LB-FT -	27.5 LB-FT -	40

SOUND PRESSURE @ 3 FT.	SOUND POWER	ROTOR WK^2	MAX. WK^2	SAFE STALL TIME	STARTS /HOUR	APPROX. MOTOR WGT
0 dBA	10 dBA	- LB-FT^2	0 LB-FT^2	0 SEC.	0	- LBS.

*** SUPPLEMENTAL INFORMATION ***

DE BRACKET TYPE	ODE BRACKET TYPE	MOUNT TYPE	ORIENTATION	SEVERE DUTY	HAZARDOUS LOCATION	DRIP COVER	SCREENS	PAINT
STANDARD	STANDARD	RESILIENT BASE-EXTENDED STUDS	HORIZONTAL	FALSE	NONE	FALSE	NONE	GRAY (POWDER)

BEARINGS		GREASE	SHAFT TYPE	SPECIAL DE	SPECIAL ODE	SHAFT MATERIAL	FRAME MATERIAL
DE	OPE						
BALL	BALL	MULTEMP SRL	SGL SPL EXT	0.500 x 1.88 IN SEF WITH 1.62 IN FULL FLAT	NONE	1144 STRESSPROOF (C-223)	ROLLED STEEL
6203	6203						

THERMO-PROTECTORS				THERMISTORS	CONTROL	SPACE /n HEATERS
THERMOSTATS	PROTECTORS	WDG RTDs	BRG RTDs			
NONE	NOT	NONE	NONE	NONE	FALSE	NONE VOLTS

If Inverter equals NONE, contact factory for further information

*
N
O
T
E
S
*

INVERTER TORQUE: NONE
INV. HP SPEED RANGE: NONE
ENCODER: NONE
NONE NONE
NONE NONE PPR
BRAKE: NONE NONE
NONE P/N NONE
NONE NONE
NONE FT-LB NONE V NONE Hz

Uncontrolled Copy

** Subject to change without notice.