

# PRODUCT INFORMATION PACKET

Modal No: 048S17D2117  
Catalog No: B607  
1/3,1725,DP,48Z,1/60/277  
Fan and Blower



Regal and Marathon are trademarks of Regal Beloit Corporation or one of its affiliated companies.  
©2017 Regal Beloit Corporation, All Rights Reserved. MC017097E

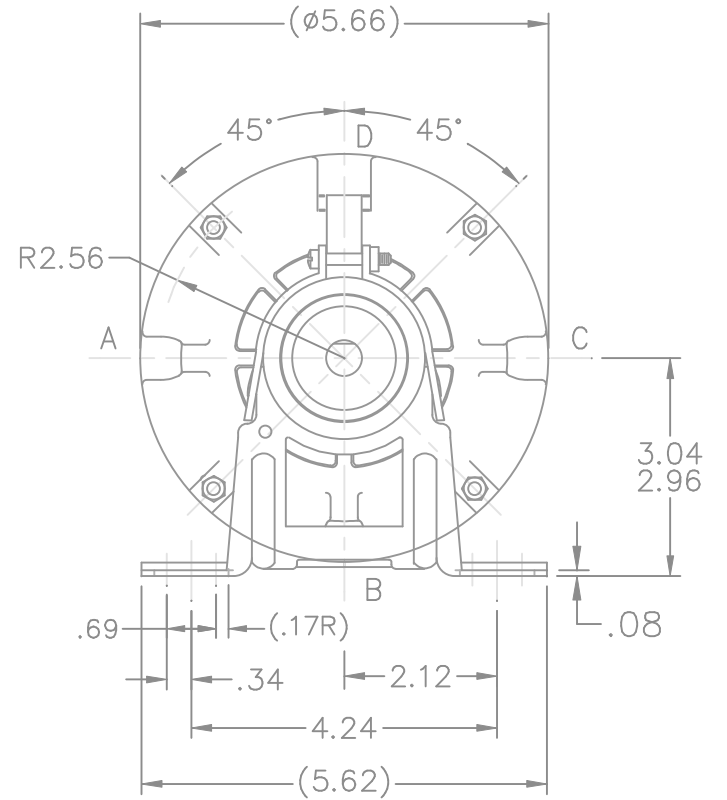
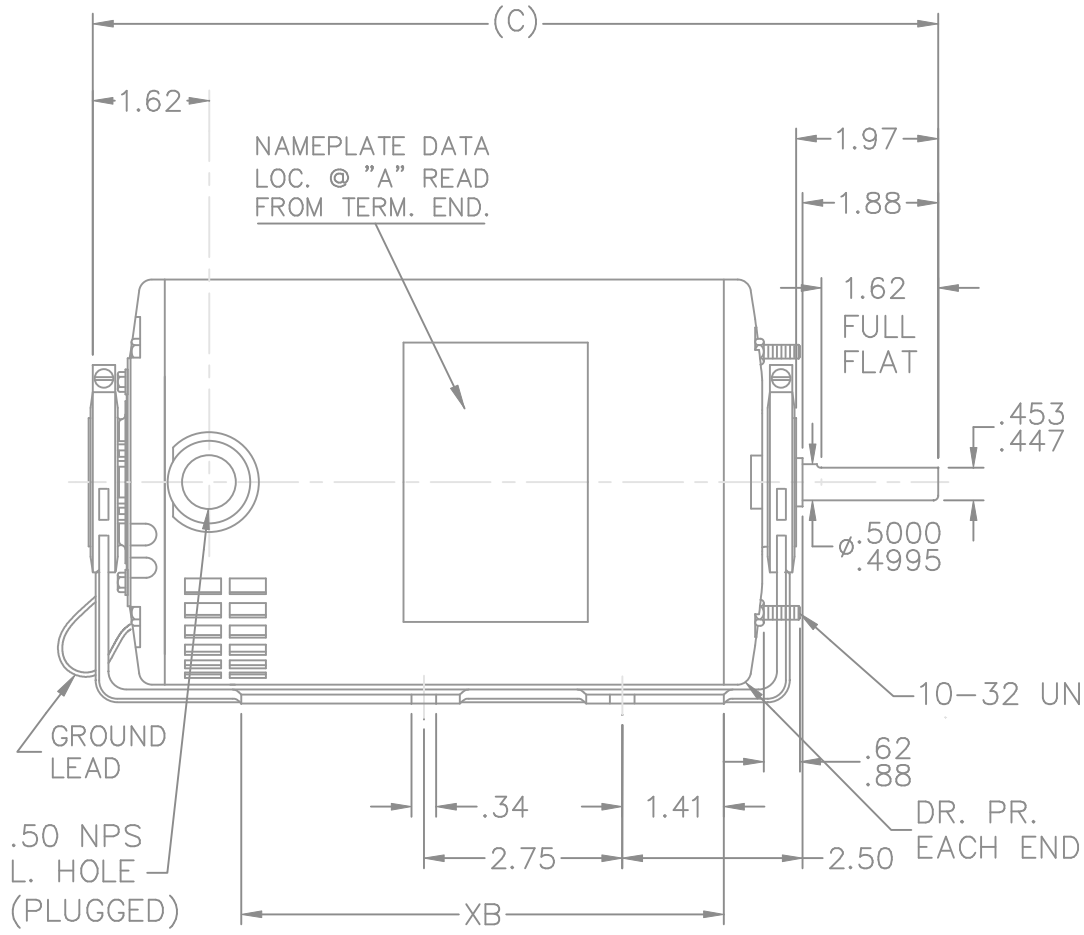


## Nameplate Specifications

Output HP	<b>0.33 Hp</b>	Output KW	<b>0.25 kW</b>
Frequency	<b>60 Hz</b>	Voltage	<b>277 V</b>
Current	<b>2.5 A</b>	Speed	<b>1725 rpm</b>
Service Factor	<b>1.35</b>	Phases	<b>1</b>
Efficiency	<b>62 %</b>	Duty	<b>CONTINUOUS</b>
Insulation Class	<b>B</b>	Design Code	<b>NO DESIGN CODE</b>
KVA Code	<b>M</b>	Frame	<b>48Z</b>
Enclosure	<b>DP</b>	Overload Protector	<b>NOT</b>
Ambient Temperature	<b>40 °C</b>	Drive End Bearing Size	<b>6203</b>
Opp Drive End Bearing Size	<b>6203</b>	UL	<b>Recognized</b>
CSA	<b>Y</b>	CE	<b>N</b>
IP Code	<b>22</b>		


## Technical Specifications

Electrical Type	<b>SPLIT PHASE</b>	Starting Method	<b>ACROSS THE LINE</b>
Poles	<b>4</b>	Rotation	<b>SELECTIVE CCW</b>
Mounting	<b>RESILIENT BASE-EXTENDED STUDS</b>	Motor Orientation	<b>HORIZONTAL</b>
Drive End Bearing	<b>BALL</b>	Opp Drive End Bearing	<b>BALL</b>
Frame Material	<b>ROLLED STEEL</b>	Shaft Type	<b>SGL SPL EXT</b>
Overall Length	<b>9.72 in</b>	Frame Length	<b>5.75 in</b>
Shaft Diameter	<b>0.5 in</b>	Shaft Extension	<b>1.97 in</b>
Assembly/Box Mounting	<b>F1 ONLY</b>		

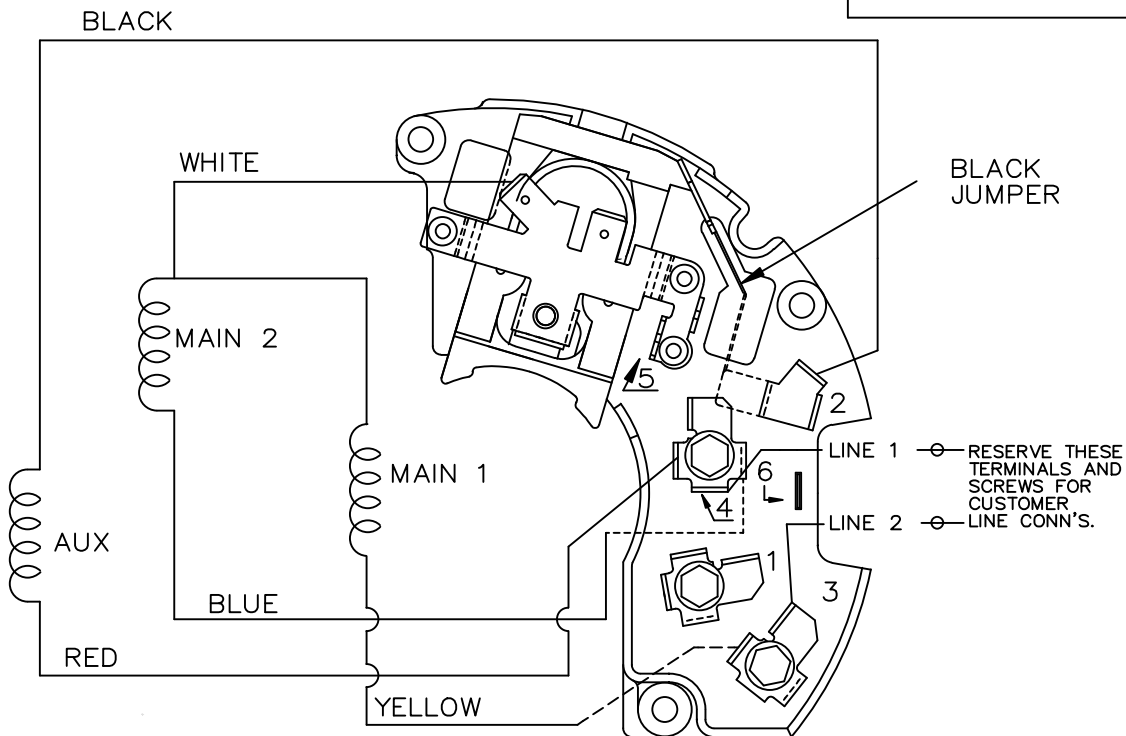


TERM. END

DASH	FRAME	XB	C	DASH	FRAME	XB	C
550	48	5.69	9.47	650	48	6.69	10.47
575	48	5.94	9.72				
625	48	6.44	10.22				

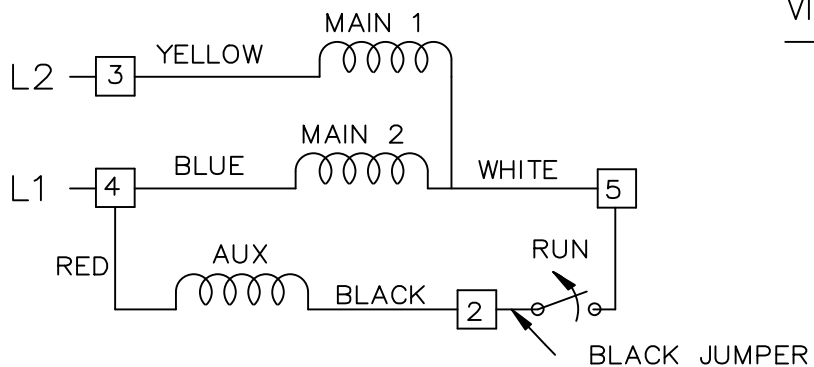
				TOLERANCES UNLESS SPECIFIED			DRAWN RM 05-26-1992	
				DEC.	INCHES		CHK ML 05-26-1992	
				.X	±.1		APPD GK 05-26-1992	
3	UPDATED DRAWING		TJW 04/20/2007	.XX	±.03	TITLE OUTLINE	SCALE 3=8	
2	REDRAWN IN AUTOCAD		TAT 08-03-2004	ML	.XXX ±.005		REF	
1	NEW DRAWING	3917460	RM 05-28-1992		.XXXX ±.0005	MAT'L.	FMF	
NO.	REVISION		BY & DATE	CHK	ANG	FINISH	PREV	
				RFP		CAD FILE ss75570	SIZE A	DRAWING NO. SS75570
				DIST WP				PAGE OF 3

THIS DRAWING IN DESIGN AND DETAIL IS OUR PROPERTY AND MUST NOT BE USED EXCEPT IN CONNECTION WITH OUR WORK ALL RIGHTS OF DESIGN AND INVENTION ARE RESERVED THIS IS AN ELECTRONICALLY GENERATED DOCUMENT - DO NOT SCALE THIS PRINT




SINGLE HIGH VOLTAGE CAPACITOR START  
REVERSIBLE ON TERM BOARD  
NO OVERLOAD PROTECTION

VIEWING TERM END



CCW ROTATION SHOWN  
TO REVERSE ROTATION INTERCHANGE  
RED LEAD WITH BLACK LEAD

				TOLERANCES UNLESS SPECIFIED		 <b>REGAL-BELOIT CORPORATION</b>	DRAWN TJW 6/28/2010			
				DEC.	INCHES		CHK CTO 6/28/2010			
				.X	± -		APPD EH 6/28/2010			
				.XX	± -		SCALE			
				.XXX	± -		REF			
				.XXXX	± -	MAT'L.	FMF ISAAC10-2159			
NO.	REVISION	BY & DATE	CHK	ANG	± -	FINISH	PREV			
THIS DRAWING IN DESIGN AND DETAIL IS OUR PROPERTY AND MUST NOT BE USED EXCEPT IN CONNECTION WITH OUR WORK ALL RIGHTS OF DESIGN AND INVENTION ARE RESERVED THIS IS AN ELECTRONICALLY GENERATED DOCUMENT - DO NOT SCALE THIS PRINT				RFP	6/28/2010	CAD FILE EE7195AS	SIZE A	DRAWING NO. EE7195AS	PAGE OF	REV.
				DIST						

CERTIFICATION DATA SHEET

Model#: 48S17D2117 H WINDING#: SE484183 NONE 4  
 CONN. DIAGRAM: A-EE7195AS ASSEMBLY: F1 ONLY  
 OUTLINE: A-SS75570-575

TYPICAL MOTOR PERFORMANCE DATA

HP	KW	SYNC. RPM	F.L. RPM	FRAME	ENCLOSURE	KVA CODE	DESIGN
1/3	0.25	1800	1725	48Z	DP	M	NO DESIGN CODE

PH	Hz	VOLTS	FL AMPS	START TYPE	DUTY	INSL	S.F	AMB°C	ELEVATION
1	60	277	2.5	ACROSS THE LINE	CONTINUOUS	B3	1.35	40	3300

FULL LOAD EFF: 62	3/4 LOAD EFF: 59.3	1/2 LOAD EFF: 51.9	GTD. EFF	ELEC. TYPE	NO LOAD AMPS
FULL LOAD PF: 58	3/4 LOAD PF: 51.5	1/2 LOAD PF: 42.8	-	SPLIT PHASE	2

F.L. TORQUE	LOCKED ROTOR AMPS	L.R. TORQUE	B.D. TORQUE	F.L. RISE°C
16.3 LB-FT	12.3	20.4 LB-FT -	39.2 LB-FT -	45

SOUND PRESSURE @ 3 FT.	SOUND POWER	ROTOR WK^2	MAX. WK^2	SAFE STALL TIME	STARTS /HOUR	APPROX. MOTOR WGT
- dBA	- dBA	- LB-FT^2	- LB-FT^2	- SEC.	-	- LBS.

\*\*\* SUPPLEMENTAL INFORMATION \*\*\*

DE BRACKET TYPE	ODE BRACKET TYPE	MOUNT TYPE	ORIENTATION	SEVERE DUTY	HAZARDOUS LOCATION	DRIP COVER	SCREENS	PAINT
STANDARD	STANDARD	RESILIENT BASE-EXTENDED STUDS	HORIZONTAL	FALSE	NONE	FALSE	NONE	GRAY (POWDER)

BEARINGS		GREASE	SHAFT TYPE	SPECIAL DE	SPECIAL ODE	SHAFT MATERIAL	FRAME MATERIAL
DE	OPE						
BALL	BALL	MULTEMP SRL	SGL SPL EXT	0.500 x 1.88 IN SEF WITH 1.62 IN FULL FLAT	NONE	1144 STRESSPROOF (C-223)	ROLLED STEEL
6203	6203						

THERMO-PROTECTORS				THERMISTORS	CONTROL	SPACE /n HEATERS
THERMOSTATS	PROTECTORS	WDG RTDs	BRG RTDs			
NONE	NOT	NONE	NONE	NONE	FALSE	NONE VOLTS

If Inverter equals NONE, contact factory for further information

\*  
N  
O  
T  
E  
S  
\*

INVERTER TORQUE: NONE
INV. HP SPEED RANGE: NONE
ENCODER: NONE
NONE NONE
NONE NONE PPR
BRAKE: NONE NONE
NONE P/N NONE
NONE NONE
NONE FT-LB NONE V NONE Hz

Uncontrolled Copy

\*\* Subject to change without notice.