

PRODUCT INFORMATION PACKET

Modal No: 048S17D7205
Catalog No: D181
1/3,1725/1140,DP,48Z,1/60/115
Fan and Blower



Regal and Marathon are trademarks of Regal Beloit Corporation or one of its affiliated companies.
©2017 Regal Beloit Corporation, All Rights Reserved. MC017097E



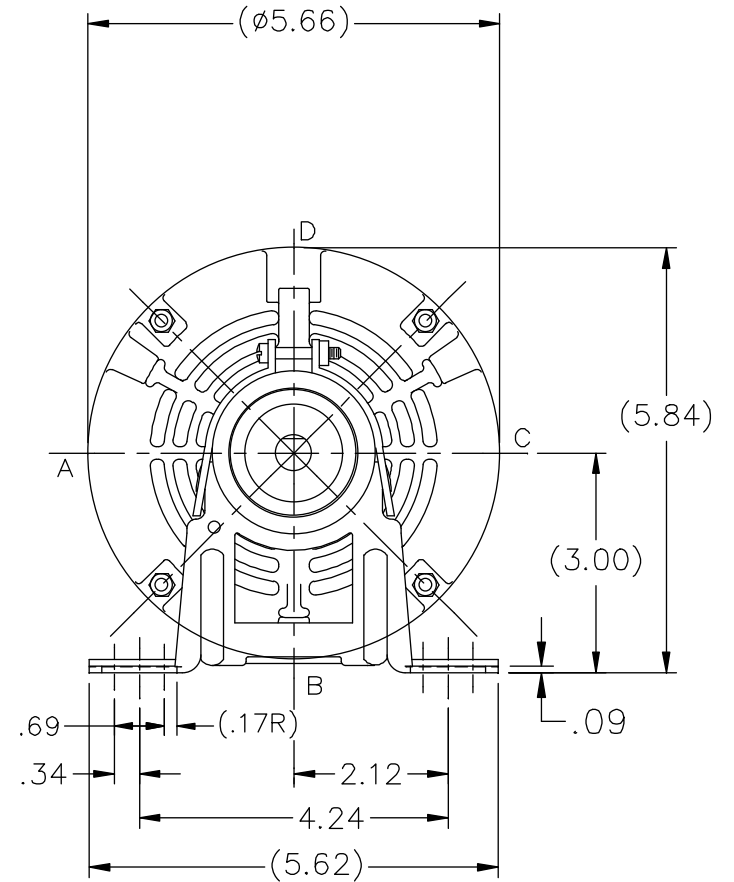
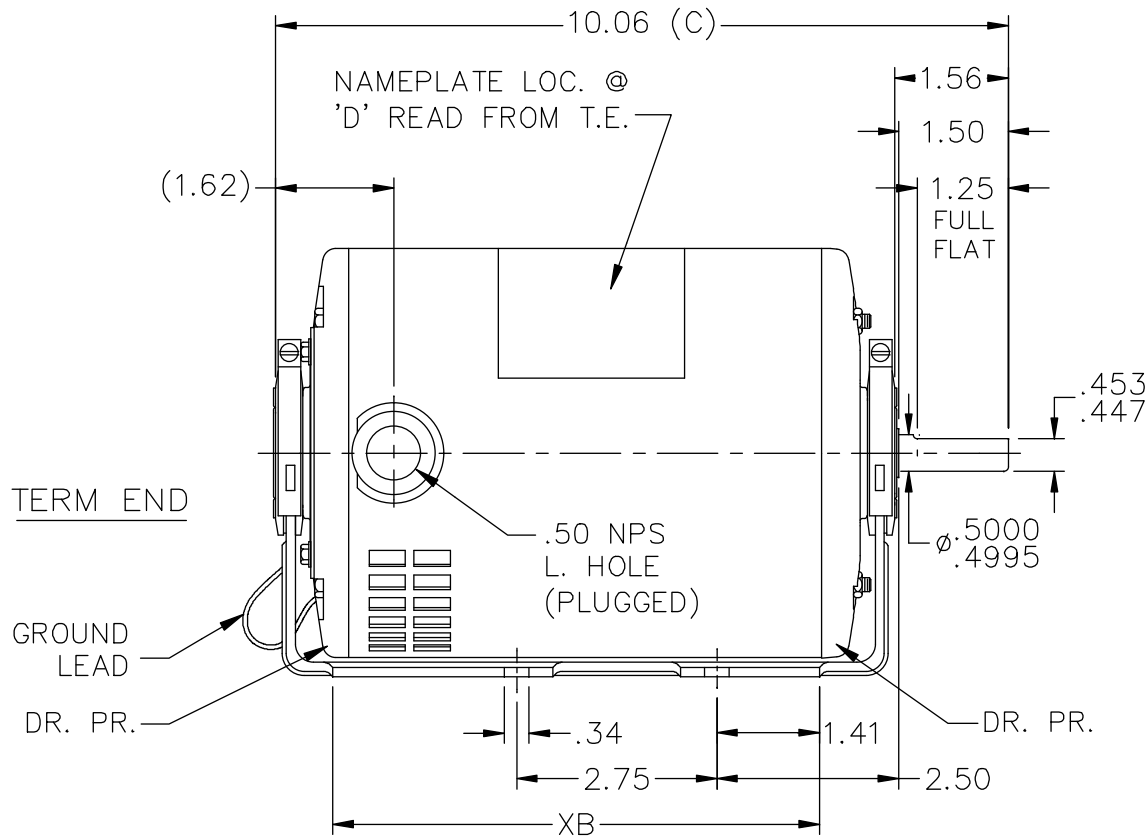
Nameplate Specifications

Output HP	0.33,0.11 Hp	Output KW	0.25 kW
Frequency	60 Hz	Voltage	115 V
Current	5.3,2.9 A	Speed	1725,1150 rpm
Service Factor	1.25	Phases	1
Efficiency	64 %	Duty	CONTINUOUS
Insulation Class	B	Design Code	2VT
KVA Code	P	Frame	48Z
Enclosure	DP	Overload Protector	AUTOMATIC
Ambient Temperature	40 °C	Drive End Bearing Size	6203
Opp Drive End Bearing Size	6203	UL	Recognized
CSA	Y	CE	N
IP Code	22		

Technical Specifications

Electrical Type	SPLIT PHASE	Starting Method	ACROSS THE LINE
Poles	4//6	Rotation	SELECTIVE CCW
Mounting	RESILIENT BASE	Motor Orientation	HORIZONTAL
Drive End Bearing	BALL	Opp Drive End Bearing	BALL
Frame Material	ROLLED STEEL	Shaft Type	SGL SPL EXT
Overall Length	10.31 in	Frame Length	6.75 in
Shaft Diameter	0.5 in	Shaft Extension	1.56 in
Assembly/Box Mounting	F1 ONLY		

SS403686



DASH	FRAME	C	XB	DASH	FRAME	C	XB
550	48	9.06	5.69	625	48	9.81	6.44
575	48	9.31	5.94	650	48	10.06	6.69
600	48	9.56	6.19	675	48	10.31	6.94

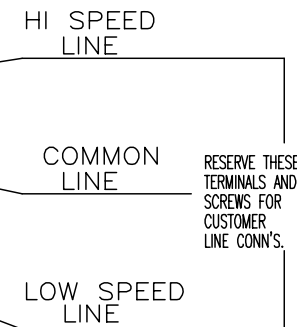
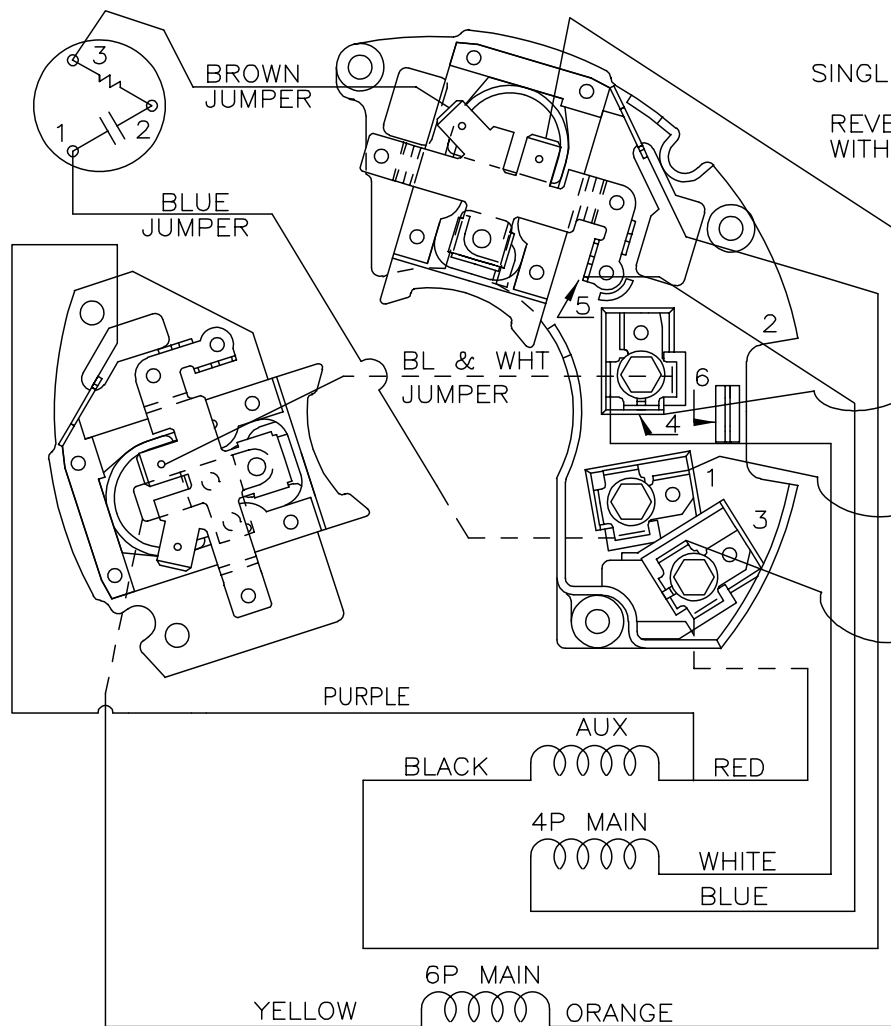
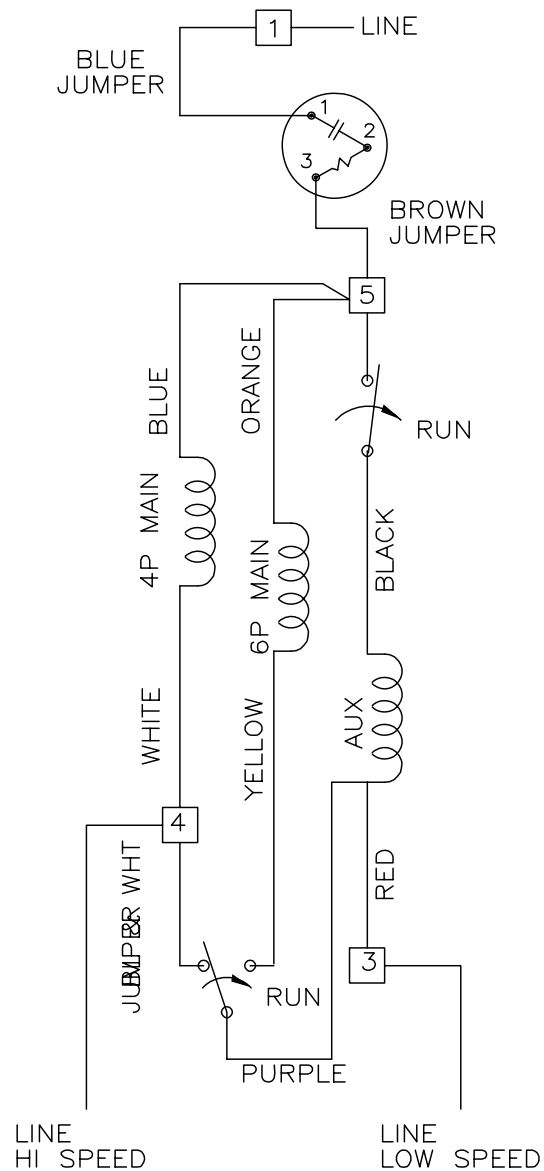
NO.	REVISION	BY & DATE	CHK	TOLERANCES UNLESS SPECIFIED	
				DEC.	INCHES
				.X	$\pm .1$
				.XX	$\pm .03$
				.XXX	$\pm .005$
				.XXXX	$\pm .0005$
				ANG	$\pm 7'30''$



TITLE OUTLINE
 MAT'L.
 FINISH 3 of 4

DRAWN	SP 02-05-2008
CHK	NB 02-05-2008
APPD	NB 02-05-2008
SCALE	3=8
REF	SS75550
FMF	CN 41440
PREV	

SINGLE VOLTAGE-SPLIT PHASE
TWO SPEED MOTOR
REVERSIBLE ON TERM BOARD
WITH OVERLOAD PROTECTION



CCW ROTATION OPE
TO REVERSE EITHER
SPEED INTERCHANGE
BLUE TERM 5 WITH
WHITE TERM 4

NOTE:
DASH LINES INDICATE LEADS CONNECTED
TO MOTOR SIDE OF SWITCH

			TOLERANCES UNLESS SPECIFIED		DRAWN RM 12-03-1990
			DEC.	INCHES	
			.X	±.1	APPD GK 12-03-1990
3	UPDATED PER ECR-0036111	UD 12-19-13 BV	.XX	±.03	TITLE CONNECTION DIAGRAM
2	RE-ISSUED CN 6381	RM 12-03-90	.XXX	±.005	48 FR. TWO SPEED
1	NEW DRAWING	RM 11-20-90	.XXXX	±.0005	MAT'L.
NO.	REVISION	BY & DATE	CHK	ANG ±1/2'	FINISH
THIS DRAWING IN DESIGN AND DETAIL IS OUR PROPERTY AND MUST NOT BE USED EXCEPT IN CONNECTION WITH OUR WORK ALL RIGHTS OF DESIGN AND INVENTION ARE RESERVED THIS IS AN ELECTRONICALLY GENERATED DOCUMENT - DO NOT SCALE THIS PRINT			RFP	CAD FILE EE9005B	SIZE A
			DIST		DRAWING NO. EE9005B
					REV. 03