

PRODUCT INFORMATION PACKET

Modal No: 056C17D2072
Catalog No: B317
1/2,1725,DP,56,1/60/115/208-230
Open Drip Proof (ODP)



Regal and Marathon are trademarks of Regal Beloit Corporation or one of its affiliated companies.
©2017 Regal Beloit Corporation, All Rights Reserved. MC017097E



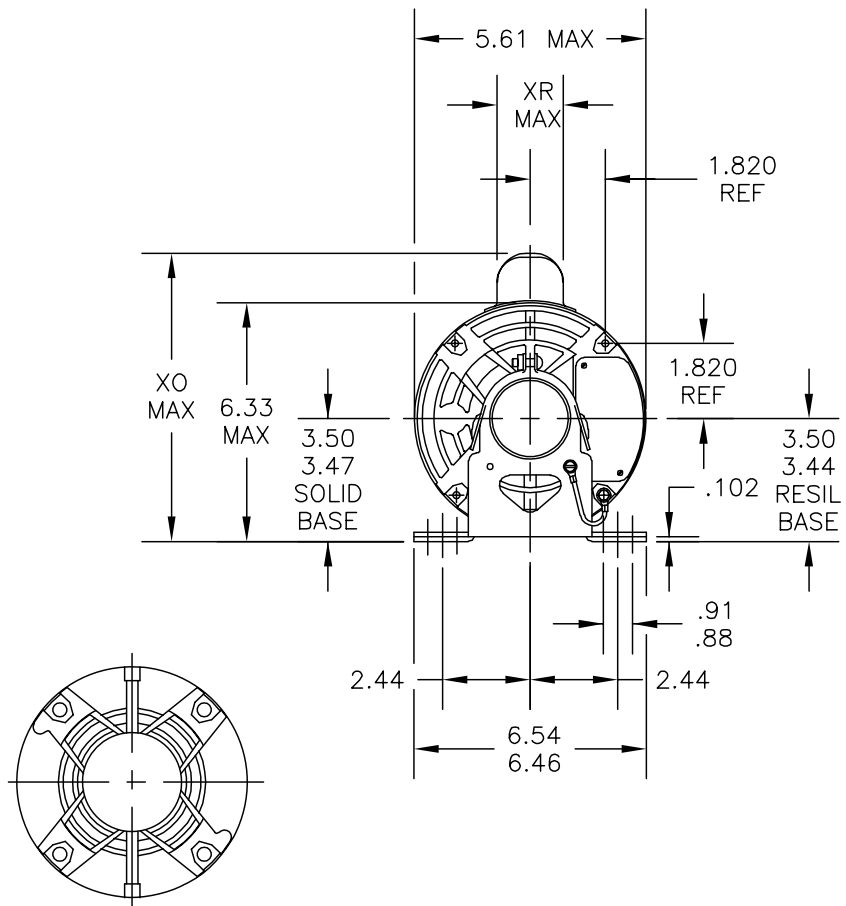
Nameplate Specifications

Output HP	0.5 Hp	Output KW	0.37 kW
Frequency	60 Hz	Voltage	115/208-230 V
Current	8.0/4.1-4.0 A	Speed	1725 rpm
Service Factor	1.25	Phases	1
Efficiency	66 %	Duty	CONTINUOUS
Insulation Class	B	Design Code	NO DESIGN CODE
KVA Code	H	Frame	56
Enclosure	DP	Overload Protector	AUTOMATIC
Ambient Temperature	40 °C	Drive End Bearing Size	6203
Opp Drive End Bearing Size	6203	UL	Recognized
CSA	Y	CE	N
IP Code	22		

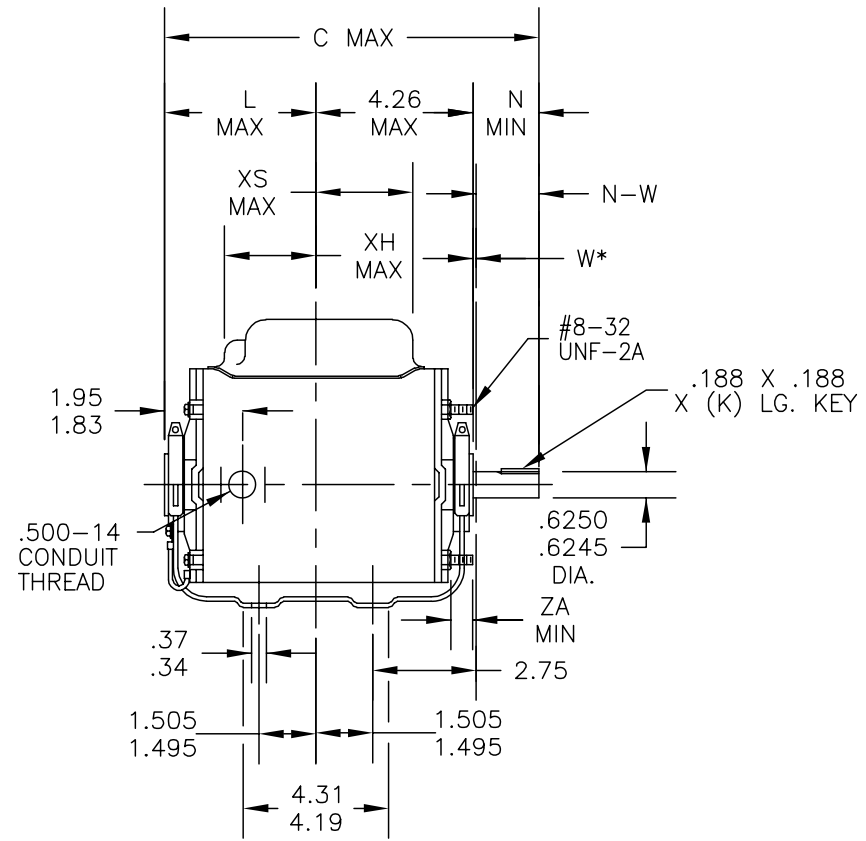
Technical Specifications

Electrical Type	CAP START IND RUN	Starting Method	ACROSS THE LINE
Poles	4	Rotation	SELECTIVE CCW
Mounting	RESILIENT BASE-EXTENDED STUDS	Motor Orientation	HORIZONTAL
Drive End Bearing	BALL	Opp Drive End Bearing	BALL
Frame Material	ROLLED STEEL	Shaft Type	T
Overall Length	10.32 in	Shaft Diameter	0.63 in
Shaft Extension	1.88 in	Assembly/Box Mounting	F1 ONLY

52A111270




VIEW SHOWING PE VENTILATION OPENINGS



*W IS A CLEARANCE DUE TO VARIATION IN PARTS & ASSEMBLY.

2	KC	37	56	10.72	1.38	4.63	1.88	2.01/1.79	3.07	7.85	1.60	2.70	.69	6.62
1	KC	36	56	10.32	1.38	4.23	1.88	2.01/1.79	3.10	8.20	2.10	2.64	.72	6.22
PT	TYPE	RBC SIZE	NEMA FR	C	K	L	N	N-W	XH	XO	XR	XS	ZA	MIN. SHELL

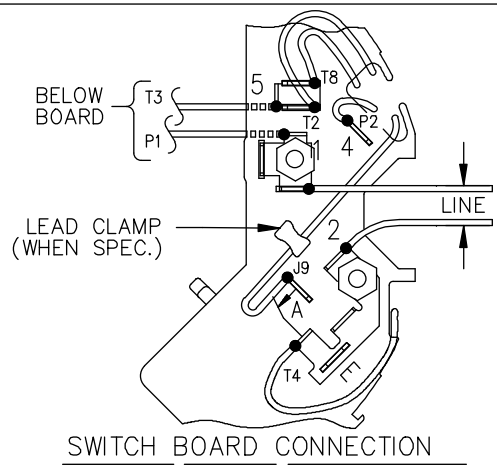
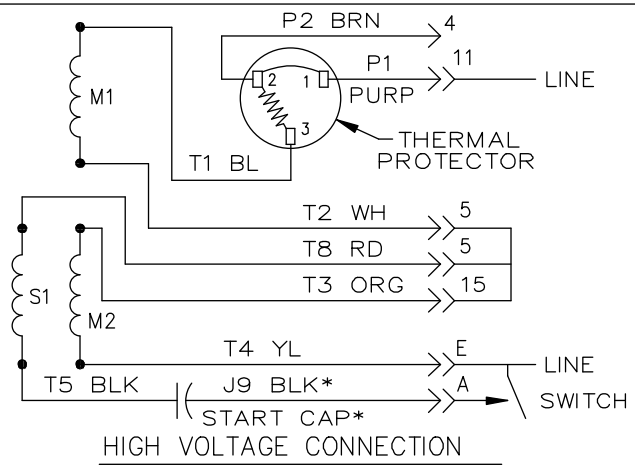
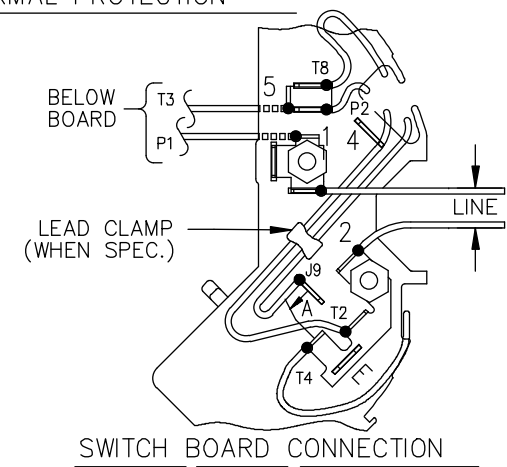
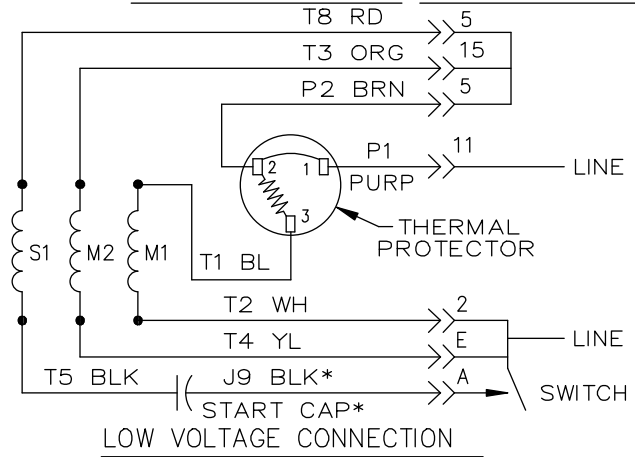
F	ECS DIMENSIONS ADDED PER ECO-0059212	PVN	9/5/14	DS	TOLERANCES UNLESS SPECIFIED		 REGAL-BELOIT CORPORATION						DRAWN	DR 12/16/04
5	REDRAWN IN DRAFT SIGHT - NO CHANGES	UD	11/06/12	PKG	DEC.	INCHES							CHK	
4	CHANGED 'ZA' DIMENSION PER IS12-5156	UD	11/06/12	DS	.X	±0.1	TITLE						APPD	DR 12/16/04
3	CHG TO RBC FORMAT PER IS05-1777	PKG	04/28/06		.XX	±0.02	OUTLINE						SCALE	1=1
2	CHG CLAMP BOLT TO #8-32 PER IS05-0952	RK	04/15/05		.XXX	±0.005	DRIP PROOF-SOLID OR RESIL BASE-BALL						REF	
1	ADDED P2	DS	12/21/04		.XXXX	±0.0005	MAT'L.						FMF	
NO.	REVISION	BY & DATE	CHK	ANG	±1.0	FINISH	CAD FILE						PREV	

THIS DRAWING IN DESIGN AND DETAIL IS OUR PROPERTY AND MUST NOT BE USED EXCEPT IN CONNECTION WITH OUR WORK ALL RIGHTS OF DESIGN AND INVENTION ARE RESERVED THIS IS AN ELECTRONICALLY GENERATED DOCUMENT - DO NOT SCALE THIS PRINT

RFP	CAD FILE	52A111270	SIZE	DRAWING NO.	REV.
DIST			A	52A111270	F

52A105383AA

EITHER ROTATION, DUAL VOLTAGE, TYPE KC OR KH, WITH THERMAL PROTECTION



NOTE #1 - START CAP & J9 WHEN SPECIFIED (*). IF NO CAPACITOR (KH), CONNECT T5 DIRECTLY TO SWITCH (A). WHEN MORE THAN ONE CAPACITOR IS USED, CONNECT IN PARALLEL.

NOTE #2 - TO REVERSE ROTATION, INTER CHANGE RD(T8) AND BLK(J9-KC OR T5-KH) LEADS.

SWITCH REF. - 115D958AB	CONNECTION LABEL	CCW ROTATION: NP52X332051AA
		CW ROTATION: NP52X332051AC

NO.	REVISION	BY & DATE	CHK	TOLERANCES UNLESS SPECIFIED		TITLE	DRAWN M.D.P 06/29/87
				DEC.	INCHES		
				.X	±0.1	REGAL-BELOIT CORPORATION REGAL-BELOIT CORPORATION	CHK
				.XX	±0.02		APPD M.D.P 03/26/96
5	ADDED CONNECTION LABEL PER ECO-0030779	UD 02/06/13	PKG	.XXX	±0.005	CONNECTION DIAGRAM	SCALE 1=1
4	UPDATED PER ISO7-0150	MD 01/23/07		.XXXX	±0.0005	30 FRAME SWITCH REDESIGN	REF
				ANG	±1.0	MAT'L.	FMF
						FINISH 4 of 4	PREV