

# PRODUCT INFORMATION PACKET

Modal No: 056C17D2113  
Catalog No: B608  
1/2,1725,DP,56,1/60/277  
Fan and Blower



Regal and Marathon are trademarks of Regal Beloit Corporation or one of its affiliated companies.  
©2017 Regal Beloit Corporation, All Rights Reserved. MC017097E

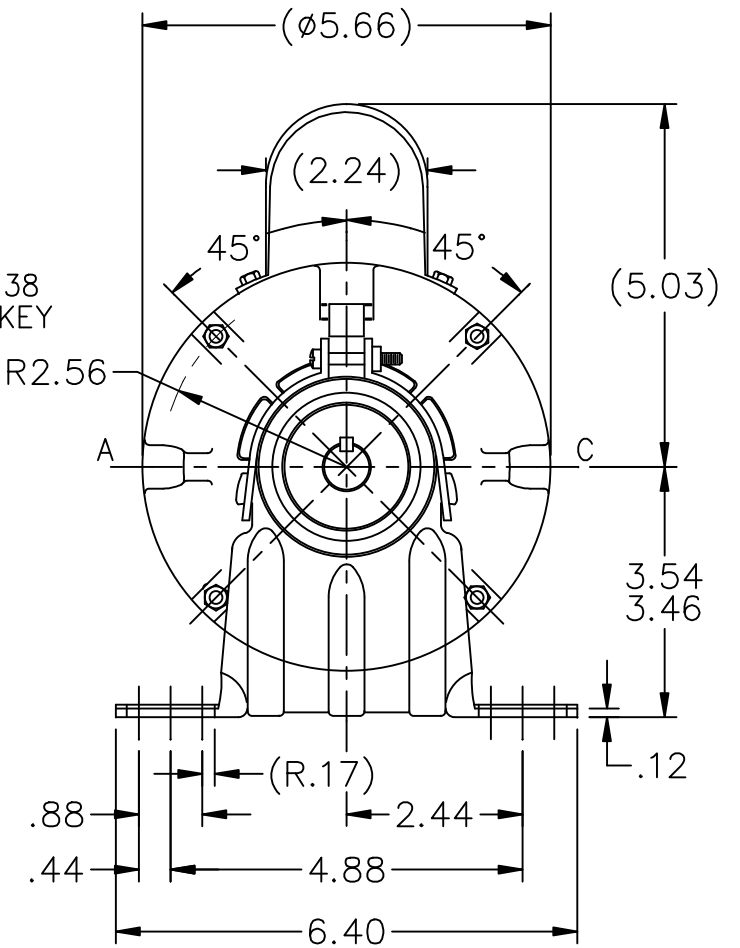
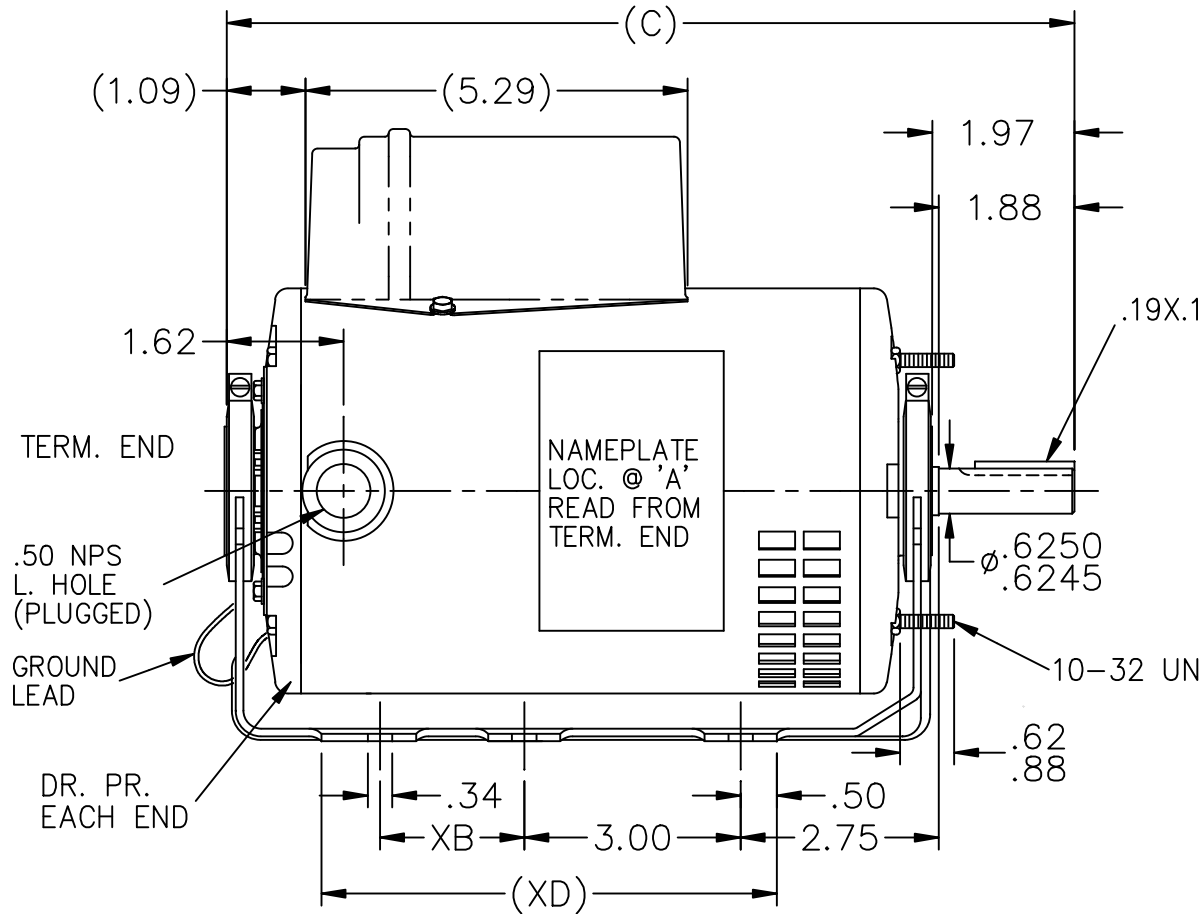


## Nameplate Specifications

Output HP	<b>0.5 Hp</b>	Output KW	<b>0.37 kW</b>
Frequency	<b>60 Hz</b>	Voltage	<b>277 V</b>
Current	<b>3.55 A</b>	Speed	<b>1725 rpm</b>
Service Factor	<b>1.25</b>	Phases	<b>1</b>
Efficiency	<b>66 %</b>	Duty	<b>CONTINUOUS</b>
Insulation Class	<b>B</b>	Design Code	<b>NO DESIGN CODE</b>
KVA Code	<b>L</b>	Frame	<b>56</b>
Enclosure	<b>DP</b>	Overload Protector	<b>NOT</b>
Ambient Temperature	<b>40 °C</b>	Drive End Bearing Size	<b>6203</b>
Opp Drive End Bearing Size	<b>6203</b>	UL	<b>Recognized</b>
CSA	<b>Y</b>	CE	<b>N</b>
IP Code	<b>22</b>		

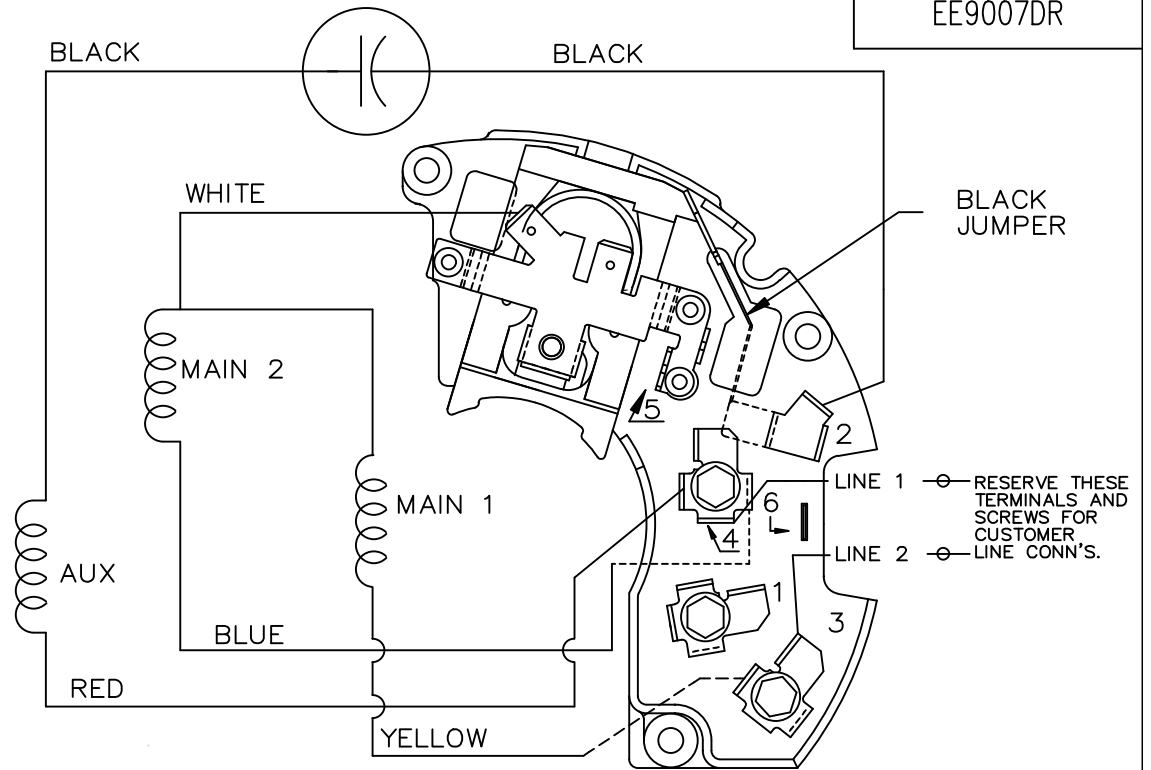
## Technical Specifications

Electrical Type	<b>CAP START IND RUN</b>	Starting Method	<b>ACROSS THE LINE</b>
Poles	<b>4</b>	Rotation	<b>SELECTIVE CCW</b>
Mounting	<b>RESILIENT BASE-EXTENDED STUDS</b>	Motor Orientation	<b>HORIZONTAL</b>
Drive End Bearing	<b>BALL</b>	Opp Drive End Bearing	<b>BALL</b>
Frame Material	<b>ROLLED STEEL</b>	Shaft Type	<b>T</b>
Overall Length	<b>11.72 in</b>	Frame Length	<b>7.75 in</b>
Shaft Diameter	<b>0.63 in</b>	Shaft Extension	<b>1.97 in</b>
Assembly/Box Mounting	<b>F1 ONLY</b>		



DASH	XB	XD	C
675	-	5.31	10.72
700	-	5.50	10.97
775	2.00	6.31	11.72

			TOLERANCES UNLESS SPECIFIED		MARATHON ELECTRIC	DRAWN RM 3/11/1992	
			DEC.	INCHES		CHK ML 3/11/1992	APPD GK 3/11/1992
			.X	±.1	TITLE OUTLINE	SCALE	3=8
3	ADDED DASH 675 FOR MU96889	DWH 8/17/2010	.XX	±.03		REF	
2	UPDATED DRAWING	TJW 05/07/2007	.XXX	±.005	MAT'L.	FMF	
1	NEW DRAWING 3850091	RM 3/20/1992	.XXXX	±.0005	FINISH	PREV	
NO.	REVISION	BY & DATE	CHK	ANG	±'	30"	
			RFP			CAD FILE	SS75534
			DIST	WP		SIZE	A
THIS DRAWING IN DESIGN AND DETAIL IS OUR PROPERTY AND MUST NOT BE USED EXCEPT IN CONNECTION WITH OUR WORK ALL RIGHTS OF DESIGN AND INVENTION ARE RESERVED THIS IS AN ELECTRONICALLY GENERATED DOCUMENT - DO NOT SCALE THIS PRINT						DRAWING NO.	SS75534
						PAGE	1 OF 1
						REV.	3

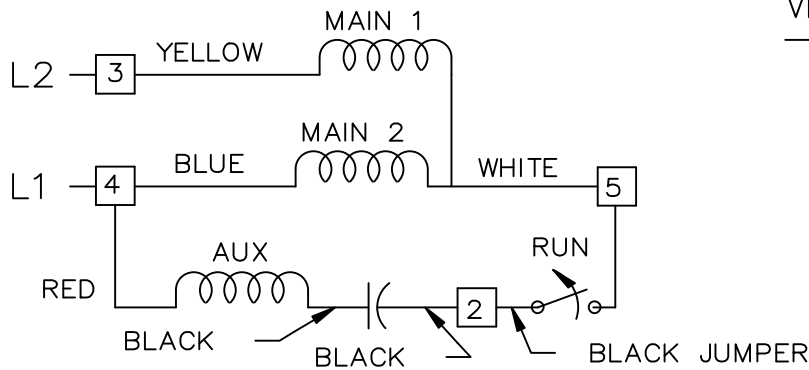



SINGLE HIGH VOLTAGE CAPACITOR START  
REVERSIBLE ON TERM BOARD  
NO OVERLOAD PROTECTION

VIEWING TERM END

CCW ROTATION SHOWN

TO REVERSE ROTATION INTERCHANGE  
RED LEAD WITH BLACK LEAD



		TOLERANCES UNLESS SPECIFIED		 <b>REGAL-BELOIT CORPORATION</b>	DRAWN				
		DEC.	INCHES		CHK				
		.X	± -		APPD	TJW 5/26/2010			
		.XX	± -			CTO 5/26/2010			
		.XXX	± -			EH 5/26/2010			
		.XXXX	± -						
NO.	REVISION	BY & DATE	CHK	ANG	MAT'L.	SCALE			
					FINISH <td>REF </td>	REF			
			RFP	5/26/2010	CAD FILE EE9007DR	FMF ISAAC10-2134			
					SIZE	DRAWING NO.	PAGE	OF	REV.
					A	EE9007DR			

THIS DRAWING IN DESIGN AND DETAIL IS OUR PROPERTY AND MUST NOT BE USED EXCEPT IN CONNECTION WITH OUR WORK ALL RIGHTS OF DESIGN AND INVENTION ARE RESERVED THIS IS AN ELECTRONICALLY GENERATED DOCUMENT - DO NOT SCALE THIS PRINT

CERTIFICATION DATA SHEET

Model#: 56C17D2113 H WINDING#: CE48461 NONE 4  
 CONN. DIAGRAM: A-EE9007DR ASSEMBLY: F1 ONLY  
 OUTLINE: A-SS75534-775

TYPICAL MOTOR PERFORMANCE DATA

HP	KW	SYNC. RPM	F.L. RPM	FRAME	ENCLOSURE	KVA CODE	DESIGN
1/2	.37	1800	1725	56	DP	L	NO DESIGN CODE

PH	Hz	VOLTS	FL AMPS	START TYPE	DUTY	INSL	S.F	AMB°C	ELEVATION
1	60	277	3.55	ACROSS THE LINE	CONTINUOUS	B3	1.25	40	3300

FULL LOAD EFF: 66	3/4 LOAD EFF: 64	1/2 LOAD EFF: 57	GTD. EFF	ELEC. TYPE	NO LOAD AMPS
FULL LOAD PF: 61	3/4 LOAD PF: 53	1/2 LOAD PF: 42.5	62	CAP START IND RUN	2.6

F.L. TORQUE	LOCKED ROTOR AMPS	L.R. TORQUE	B.D. TORQUE	F.L. RISE°C
24.1 LB-FT	17.3	97.6 LB-FT 405	62.1 LB-FT 258	45

SOUND PRESSURE @ 3 FT.	SOUND POWER	ROTOR WK^2	MAX. WK^2	SAFE STALL TIME	STARTS /HOUR	APPROX. MOTOR WGT
0 dBA	10 dBA	0 LB-FT^2	0 LB-FT^2	0 SEC.	0	0 LBS.

\*\*\* SUPPLEMENTAL INFORMATION \*\*\*

DE BRACKET TYPE	ODE BRACKET TYPE	MOUNT TYPE	ORIENTATION	SEVERE DUTY	HAZARDOUS LOCATION	DRIP COVER	SCREENS	PAINT
STANDARD	STANDARD	RESILIENT BASE-EXTENDED STUDS	HORIZONTAL	FALSE	NONE	FALSE	NONE	GRAY (POWDER)

BEARINGS		GREASE	SHAFT TYPE	SPECIAL DE	SPECIAL ODE	SHAFT MATERIAL	FRAME MATERIAL
DE	OPE						
BALL	BALL	MULTEMP SRL	T	NONE	NONE	1144 STRESSPROOF (C-223)	ROLLED STEEL
6203	6203						

THERMO-PROTECTORS				THERMISTORS	CONTROL	SPACE /n HEATERS
THERMOSTATS	PROTECTORS	WDG RTDs	BRG RTDs			
NONE	NOT	NONE	NONE	NONE	FALSE	NONE VOLTS

If Inverter equals NONE, contact factory for further information

\*  
N  
O  
T  
E  
S  
\*

INVERTER TORQUE: NONE
INV. HP SPEED RANGE: NONE
ENCODER: NONE
NONE NONE
NONE NONE PPR
BRAKE: NONE NONE
NONE P/N NONE
NONE NONE
NONE FT-LB NONE V NONE Hz

Uncontrolled Copy

\*\* Subject to change without notice.