

PRODUCT INFORMATION PACKET

Modal No: 056C17D5349
Catalog No: B338
1 1/2, 1800, DP, 56H, 1/60/SPL
Fan and Blower



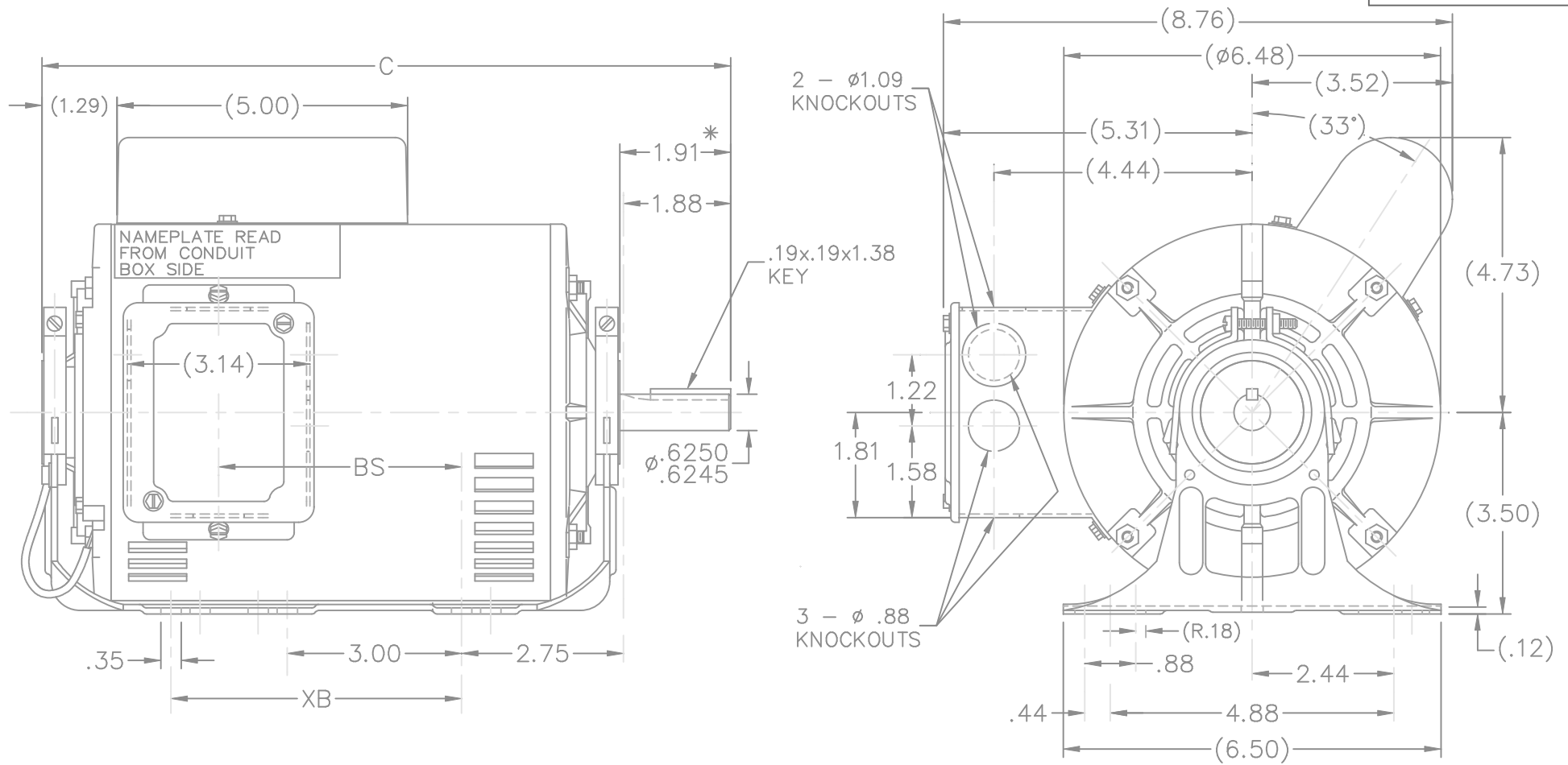
Regal and Marathon are trademarks of Regal Beloit Corporation or one of its affiliated companies.
©2017 Regal Beloit Corporation, All Rights Reserved. MC017097E

Nameplate Specifications

Output HP	1.5 Hp	Output KW	1.12 kW
Frequency	60 Hz	Voltage	277 V
Current	7.5 A	Speed	1725 rpm
Service Factor	1.15	Phases	1
Efficiency	77 %	Duty	CONTINUOUS
Insulation Class	B	Design Code	NO DESIGN CODE
KVA Code	J	Frame	56H
Enclosure	DP	Overload Protector	NOT
Ambient Temperature	40 °C	Drive End Bearing Size	6203
Opp Drive End Bearing Size	6203	UL	No
CSA	N	CE	N
IP Code	12		

Technical Specifications

Electrical Type	CAP START IND RUN	Starting Method	ACROSS THE LINE
Poles	4	Rotation	SELECTIVE CCW
Mounting	RESILIENT BASE-EXTENDED STUDS	Motor Orientation	HORIZONTAL
Drive End Bearing	BALL	Opp Drive End Bearing	BALL
Frame Material	ROLLED STEEL	Shaft Type	T
Overall Length	12.85 in	Frame Length	8.56 in
Shaft Diameter	0.63 in	Shaft Extension	1.91 in
Assembly/Box Mounting	F1 ONLY		



DASH	FRAME	C	XB	BS	DASH	FRAME	C	XB	BS
					856	56-85	12.85	5.00	5.18
706	56-70	11.35	0	3.68					
756	"-75	11.85	5.00	4.18					

* DIMENSION IS FROM RESILIENT RING END CAP TO END OF SHAFT

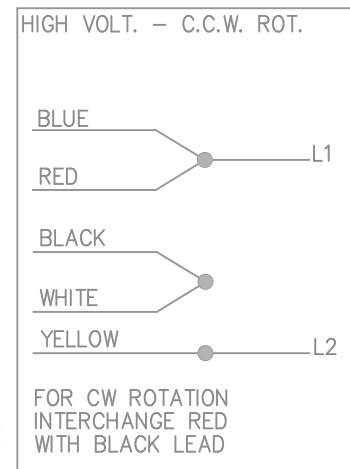
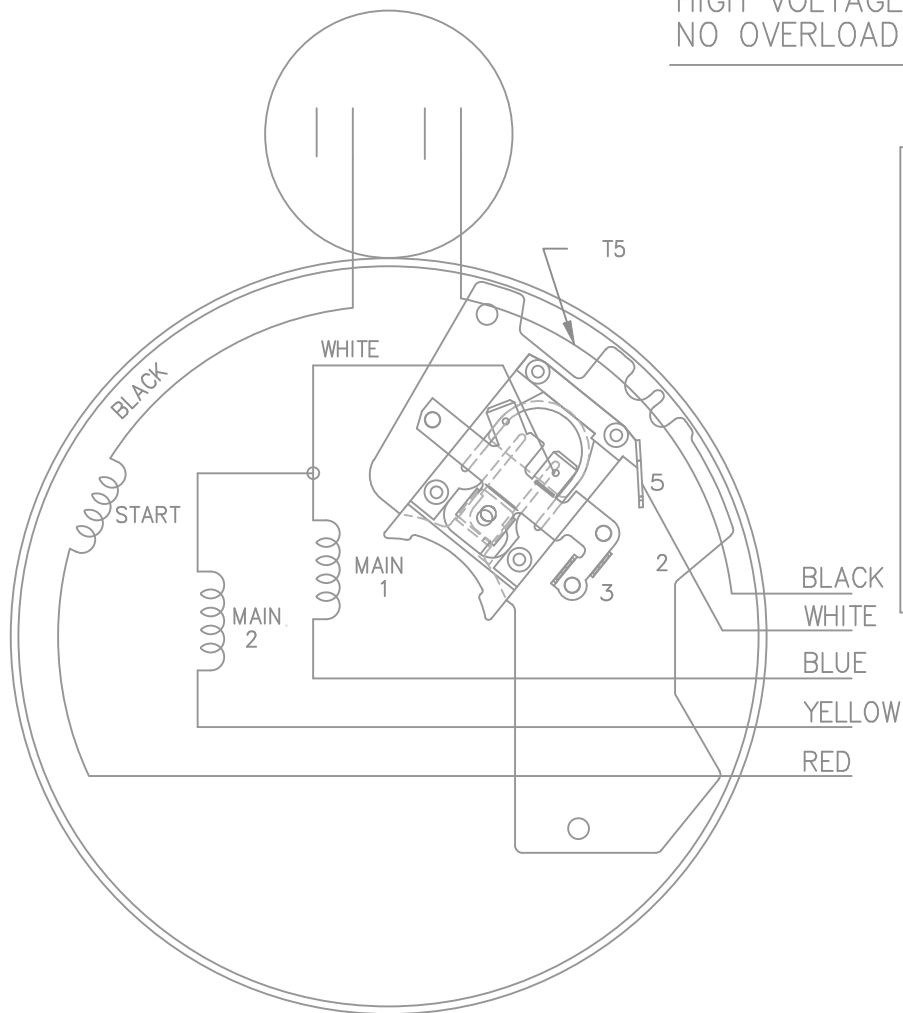
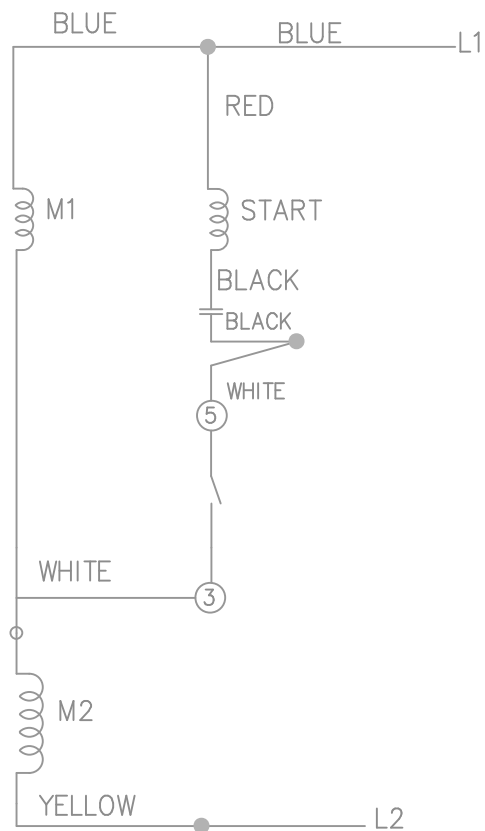
NOTE:
1. MOTOR MUST BE ROTATED TO .75" STRIP SOCKET CLEARANCE FOR GROUND SCREW, MAXIMUM (10 DEGREES).

				TOLERANCES UNLESS SPECIFIED		MARATHON ELECTRIC		DRAWN LZ 07-21-1994	
				DEC.	INCHES			CHK	ML 07-22-1994
4	UPPDATED DRAWING		RJW 03-28-2007	.X	±.1	TITLE OUTLINE		APPD	TG 07-27-1994
3	REDRAWN IN AUTOCAD		TAT 09-01-2004	ML	.XX	±.03	56 FR. - BB - DR.PR. - RESIL. BASE	SCALE	3=8
2	ADDED NOTE	CN 24378	PGK 06-11-1997		.XXX	±.005		REF	
1	NEW DRAWING	4181687	LZ 07-27-1994		.XXXX	±.0005	MAT'L.	FMF	
NO.	REVISION		BY & DATE	CHK	ANG	±'	FINISH	PREV	
				RFP			CAD FILE 100919	SIZE	DRAWING NO. PAGE OF REV.
				DIST	WP			A	100919 4

THIS DRAWING IN DESIGN AND DETAIL IS OUR PROPERTY AND MUST NOT BE USED EXCEPT IN CONNECTION WITH OUR WORK ALL RIGHTS OF DESIGN AND INVENTION ARE RESERVED THIS IS AN ELECTRONICALLY GENERATED DOCUMENT - DO NOT SCALE THIS PRINT

HIGH VOLTAGE - C.C.W.

HIGH VOLTAGE CAPACITOR START
NO OVERLOAD SELECT ROTATION



				TOLERANCES UNLESS SPECIFIED			DRAWN PGK 06-26-1996				
				DEC.	INCHES		CHK MRB 07-12-1996				
				.X	±.1		APPD GK 07-12-1996				
				.XX	±.02		SCALE 5=8				
				.XXX	±.005		REF				
2	REDRAWN ON CADD, NO CHANGE	PGK 07-12-1996		.XXXX	±.0005	MAT'L.			FMF		
NO.	REVISION	BY & DATE	CHK	ANG	±7'30"	FINISH			PREV		
THIS DRAWING IN DESIGN AND DETAIL IS OUR PROPERTY AND MUST NOT BE USED EXCEPT IN CONNECTION WITH OUR WORK ALL RIGHTS OF DESIGN AND INVENTION ARE RESERVED THIS IS AN ELECTRONICALLY GENERATED DOCUMENT - DO NOT SCALE THIS PRINT				RFP		CAD FILE 102005-57		SIZE	DRAWING NO.	PAGE OF	REV.
				DIST	WP			A	102005-57	2	2

CERTIFICATION DATA SHEET

Model#: 56C17D5349 E WINDING#: ZC408 NONE 6
 CONN. DIAGRAM: 102005-57 ASSEMBLY: F1 ONLY
 OUTLINE: A-100919-856

TYPICAL MOTOR PERFORMANCE DATA

HP	KW	SYNC. RPM	F.L. RPM	FRAME	ENCLOSURE	KVA CODE	DESIGN
1 1/2	1.12	1800	1725	56H	DP	J	NO DESIGN CODE

PH	Hz	VOLTS	FL AMPS	START TYPE	DUTY	INSL	S.F	AMB°C	ELEVATION
1	60	277	7.5	ACROSS THE LINE	CONTINUOUS	B3	1.15	40	3300

FULL LOAD EFF: 77.0	3/4 LOAD EFF: 73	1/2 LOAD EFF: 68.5	GTD. EFF	ELEC. TYPE	NO LOAD AMPS
FULL LOAD PF: -	3/4 LOAD PF: 66	1/2 LOAD PF: 54.5	0	CAP START IND RUN	4.5

F.L. TORQUE	LOCKED ROTOR AMPS	L.R. TORQUE	B.D. TORQUE	F.L. RISE°C
4.5 LB-FT	41.5	13.6 LB-FT 302	11.1 LB-FT 246	60

SOUND PRESSURE @ 3 FT.	SOUND POWER	ROTOR WK^2	MAX. WK^2	SAFE STALL TIME	STARTS /HOUR	APPROX. MOTOR WGT
- dBA	- dBA	0 LB-FT^2	- LB-FT^2	- SEC.	-	0 LBS.

*** SUPPLEMENTAL INFORMATION ***

DE BRACKET TYPE	ODE BRACKET TYPE	MOUNT TYPE	ORIENTATION	SEVERE DUTY	HAZARDOUS LOCATION	DRIP COVER	SCREENS	PAINT
STANDARD	STANDARD	RESILIENT BASE-EXTENDED STUDS	HORIZONTAL	FALSE	NONE	FALSE	NONE	GRAY (POWDER)

BEARINGS		GREASE	SHAFT TYPE	SPECIAL DE	SPECIAL ODE	SHAFT MATERIAL	FRAME MATERIAL
DE	OPE						
BALL	BALL	POLYREX EM	T	NONE	NONE	1144 STRESSPROOF (C-223)	ROLLED STEEL
6203	6203						

THERMO-PROTECTORS				THERMISTORS	CONTROL	SPACE /n HEATERS
THERMOSTATS	PROTECTORS	WDG RTDs	BRG RTDs			
NONE	NOT	NONE	NONE	NONE	FALSE	NONE VOLTS

If Inverter equals NONE, contact factory for further information

*
N
O
T
E
S
*

INVERTER TORQUE: NONE
INV. HP SPEED RANGE: NONE
ENCODER: NONE
NONE NONE
NONE NONE PPR
BRAKE: NONE NONE
NONE P/N NONE
NONE NONE
NONE FT-LB NONE V NONE Hz

Uncontrolled Copy

** Subject to change without notice.