

PRODUCT INFORMATION PACKET

Modal No: 056S17D2049
Catalog No: B200
1/2,1725,DP,56Z,1/60/115
Fan and Blower



Regal and Marathon are trademarks of Regal Beloit Corporation or one of its affiliated companies.
©2017 Regal Beloit Corporation, All Rights Reserved. MC017097E

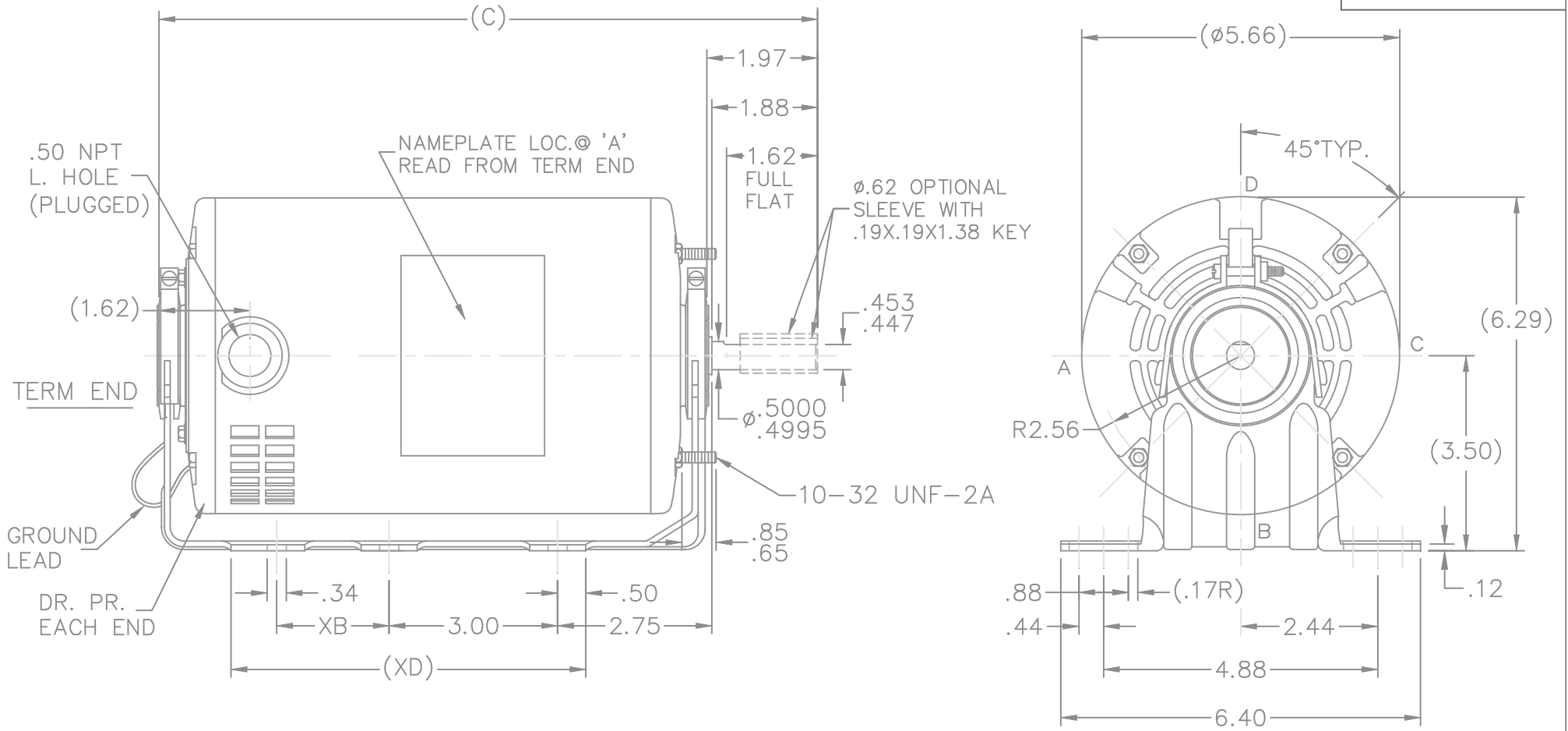


Nameplate Specifications


Output HP	0.5 Hp	Output KW	0.37 kW
Frequency	60 Hz	Voltage	115 V
Current	7.2 A	Speed	1725 rpm
Service Factor	1.25	Phases	1
Efficiency	66 %	Duty	CONTINUOUS
Insulation Class	B	Design Code	NO DESIGN CODE
KVA Code	L	Frame	56Z
Enclosure	DP	Overload Protector	AUTOMATIC
Ambient Temperature	40 °C	Drive End Bearing Size	6203
Opp Drive End Bearing Size	6203	UL	Recognized
CSA	Y	CE	N
IP Code	22		

Technical Specifications

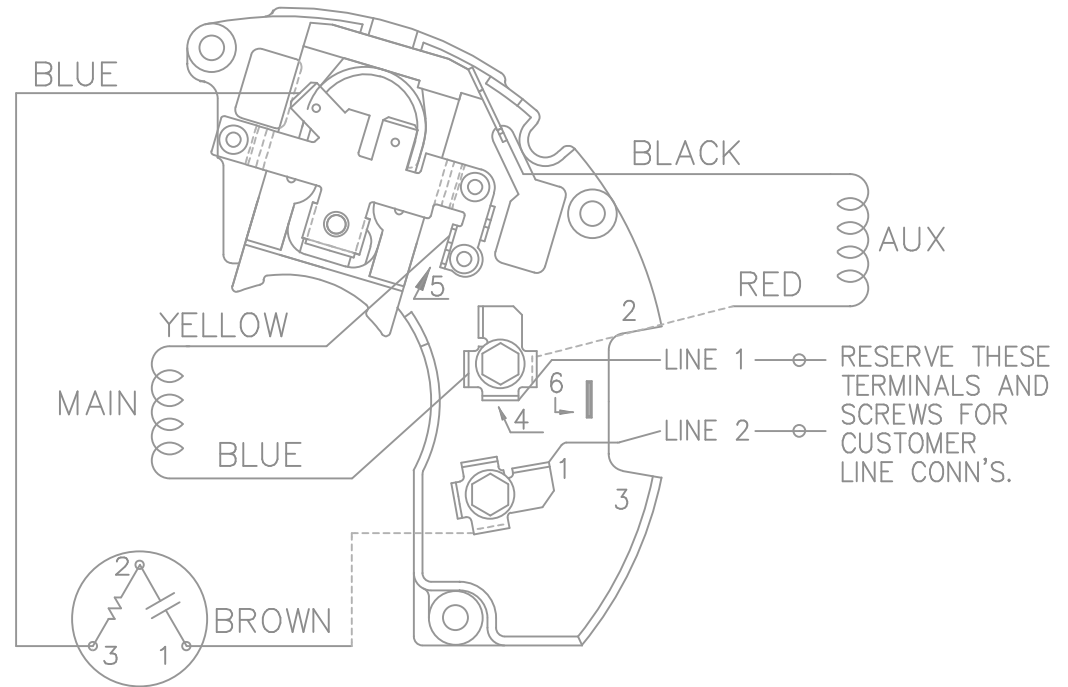
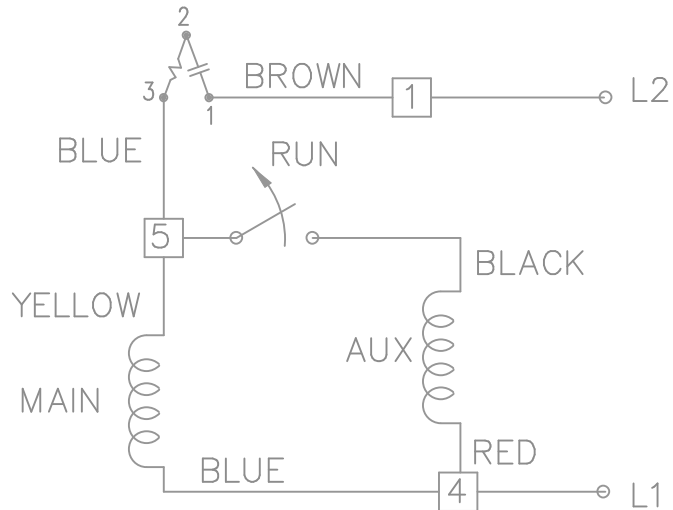
Electrical Type	SPLIT PHASE	Starting Method	ACROSS THE LINE
Poles	4	Rotation	SELECTIVE CCW
Mounting	RESILIENT BASE-EXTENDED STUDS	Motor Orientation	HORIZONTAL
Drive End Bearing	BALL	Opp Drive End Bearing	BALL
Frame Material	ROLLED STEEL	Shaft Type	SGL SPL EXT
Overall Length	10.47 in	Frame Length	6.5 in
Shaft Diameter	0.63 in	Shaft Extension	1.97 in
Assembly/Box Mounting	F1 ONLY		



DASH	FRAME	C	XD	XB
550	48	9.47	4.00	0
575	48	9.72	4.31	0
650	48	10.47	5.00	0

				TOLERANCES UNLESS SPECIFIED		 MARATHON ELECTRIC	DRAWN RP 10-07-2008			
				DEC.	INCHES		CHK SP 10-07-2008			
				.X	±.1		APPD NB 10-07-2008			
				.XX	±.03		SCALE 3=8			
				.XXX	±.005		REF			
				.XXXX	±.0005	FMF				
NO.	REVISION	BY & DATE	CHK	ANG	±7'30"	FINISH	PREV			
THIS DRAWING IN DESIGN AND DETAIL IS OUR PROPERTY AND MUST NOT BE USED EXCEPT IN CONNECTION WITH OUR WORK ALL RIGHTS OF DESIGN AND INVENTION ARE RESERVED THIS IS AN ELECTRONICALLY GENERATED DOCUMENT - DO NOT SCALE THIS PRINT				RFP		CAD FILE ss403781	SIZE A	DRAWING NO. SS403781	PAGE OF	REV.
				DIST	WP					

SINGLE VOLTAGE – SPLIT PHASE
 REVERSIBLE ON TERM BOARD
 WITH OVERLOAD PROTECTION



VIEWING TERMINAL END

C.C.W. ROTATION SHOWN.

FOR C.W. ROTATION INTERCHANGE
 YELLOW & BLUE LEADS ON TERM 5 & 4.

DASH LINES INDICATE LEADS CONNECTED
 TO MOTOR SIDE OF SWITCH.

				TOLERANCES UNLESS SPECIFIED			DRAWN ML 01-27-1998	
				DEC.	INCHES		CHK	GK 02-05-1988
5	REDRAWN ON AUTOCAD	RWR 06-15-2004	ML	.X	± -	TITLE CONNECTION DIAGRAM 48 FR. SINGLE VOLTAGE REVERSIBLE MAT'L. FINISH	APPD	DRN 03-11-1988
4	REVERSED L1 AND L2 CN19709	AJS 01-16-1995	GK	.XX	± -		SCALE	1=1
3	REVISED LINE 2 LOCATION CN6427	RM 01-28-1991	GK	.XXX	± -		REF	
2	ADDED CUSTOMER CONNECTION NOTE CN6011	BW 08-03-1989	GK	.XXXX	± -		FMF	
NO.	REVISION	BY & DATE	CHK	ANG	± -		PREV	
THIS DRAWING IN DESIGN AND DETAIL IS OUR PROPERTY AND MUST NOT BE USED EXCEPT IN CONNECTION WITH OUR WORK ALL RIGHTS OF DESIGN AND INVENTION ARE RESERVED THIS IS AN ELECTRONICALLY GENERATED DOCUMENT – DO NOT SCALE THIS PRINT				RFP	CAD FILE ee7195		SIZE	DRAWING NO. PAGE 1 OF 1
				DIST	LB		A	EE7195 5

CERTIFICATION DATA SHEET

Model#: 56S17D2049 L WINDING#: SM55497 NONE 1
 CONN. DIAGRAM: A-EE7195 ASSEMBLY: F1 ONLY
 OUTLINE: A-SS403781- 650

TYPICAL MOTOR PERFORMANCE DATA

HP	KW	SYNC. RPM	F.L. RPM	FRAME	ENCLOSURE	KVA CODE	DESIGN
1/2	.37	1800	1725	56Z	DP	L	NO DESIGN CODE

PH	Hz	VOLTS	FL AMPS	START TYPE	DUTY	INSL	S.F	AMB°C	ELEVATION
1	60	115	7.2	ACROSS THE LINE	CONTINUOUS	B3	1.25	40	3300

FULL LOAD EFF: 66	3/4 LOAD EFF: 0	1/2 LOAD EFF: 0	GTD. EFF	ELEC. TYPE	NO LOAD AMPS
FULL LOAD PF: 71.5	3/4 LOAD PF: 0	1/2 LOAD PF: 0	0	SPLIT PHASE	3.8

F.L. TORQUE	LOCKED ROTOR AMPS	L.R. TORQUE	B.D. TORQUE	F.L. RISE°C
24.3 LB-FT	44.4	34.2 LB-FT -	49.2 LB-FT -	0

SOUND PRESSURE @ 3 FT.	SOUND POWER	ROTOR WK^2	MAX. WK^2	SAFE STALL TIME	STARTS /HOUR	APPROX. MOTOR WGT
- dBA	- dBA	0 LB-FT^2	- LB-FT^2	- SEC.	-	0 LBS.

*** SUPPLEMENTAL INFORMATION ***

DE BRACKET TYPE	ODE BRACKET TYPE	MOUNT TYPE	ORIENTATION	SEVERE DUTY	HAZARDOUS LOCATION	DRIP COVER	SCREENS	PAINT
STANDARD	STANDARD	RESILIENT BASE- EXTENDED STUDS	HORIZONTAL	FALSE	NONE	FALSE	NONE	GRAY (POWDER)

BEARINGS		GREASE	SHAFT TYPE	SPECIAL DE	SPECIAL ODE	SHAFT MATERIAL	FRAME MATERIAL
DE	OPE						
BALL	BALL	POLYREX EM	SGL SPL EXT	0.500 x 1.88 IN SEKF WITH 1.62 IN FULL FLAT AND 0.62 IN OPTIONAL SLEEVE	NONE	1144 STRESSPROOF (C-223)	ROLLED STEEL
6203	6203						

THERMO-PROTECTORS				THERMISTORS	CONTROL	SPACE /n HEATERS
THERMOSTATS	PROTECTORS	WDG RTDs	BRG RTDs			
NONE	AUTOMATIC	NONE	NONE	NONE	FALSE	NONE VOLTS

If Inverter equals NONE, contact factory for further information

INVERTER TORQUE: NONE
INV. HP SPEED RANGE: NONE
ENCODER: NONE
NONE NONE
NONE NONE PPR
BRAKE: NONE NONE
NONE P/N NONE
NONE NONE
NONE FT-LB NONE V NONE Hz

*
N
O
T
E
S
*

Uncontrolled Copy

DATE: 06/28/2017 02:16:37 AM
FORM 3531 REV.3 02/07/99
** Subject to change without notice.