

PRODUCT INFORMATION PACKET

Modal No: 056S17D2064
Catalog No: B100
1/2,1800,DP,56,1/60/115/230
Fan and Blower



Regal and Marathon are trademarks of Regal Beloit Corporation or one of its affiliated companies.
©2017 Regal Beloit Corporation, All Rights Reserved. MC017097E

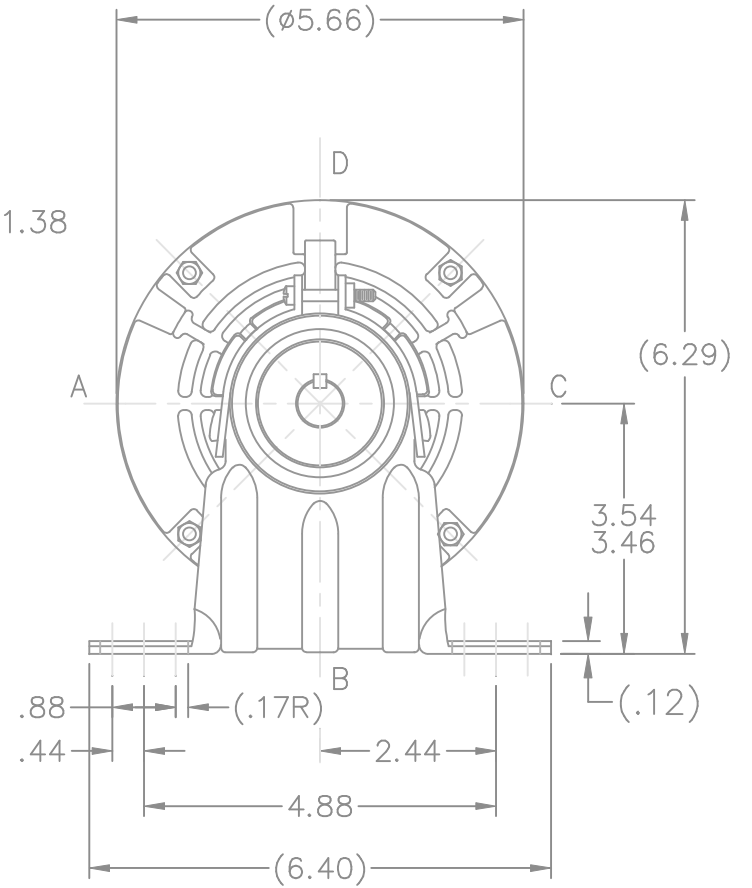
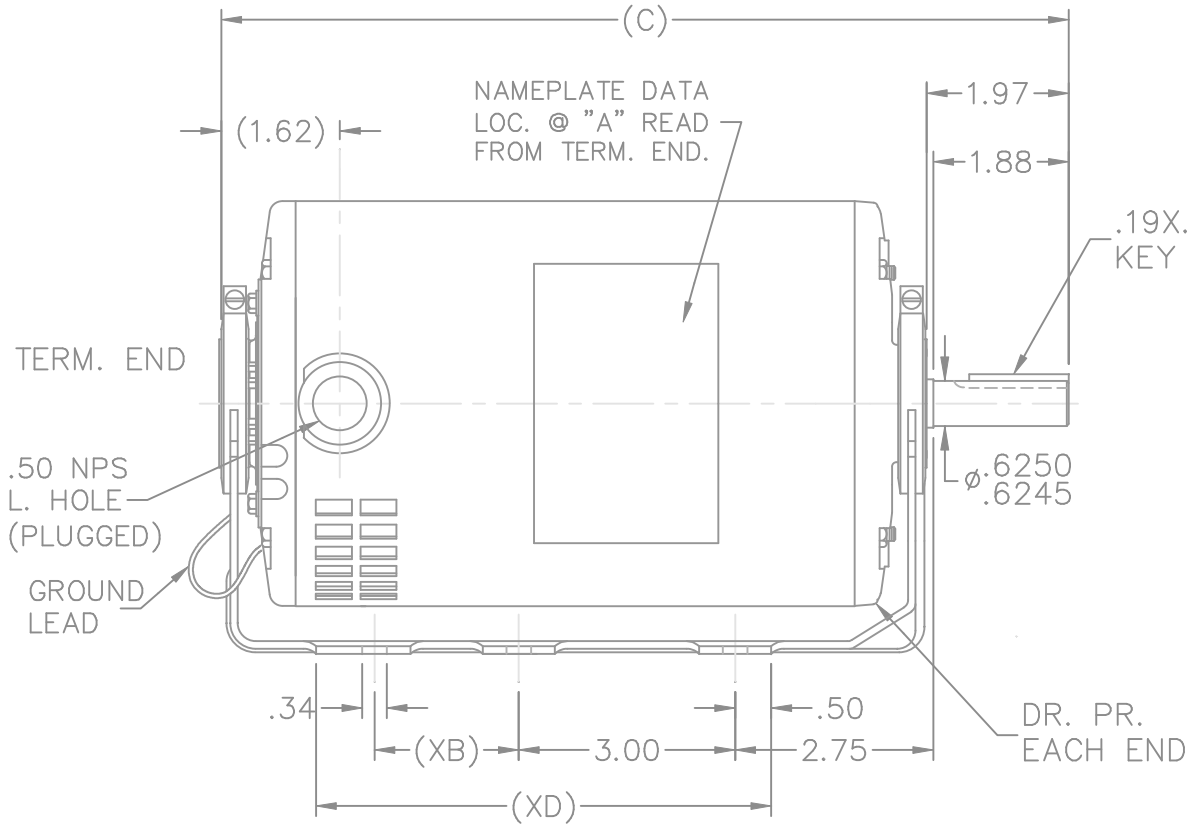


Nameplate Specifications

Output HP	0.5 Hp	Output KW	0.37 kW
Frequency	60 Hz	Voltage	115/230 V
Current	7.2/3.6 A	Speed	1725 rpm
Service Factor	1.25	Phases	1
Efficiency	66 %	Duty	CONTINUOUS
Insulation Class	B	Design Code	NO DESIGN CODE
KVA Code	L	Frame	56
Enclosure	DP	Overload Protector	AUTOMATIC
Ambient Temperature	40 °C	Drive End Bearing Size	6203
Opp Drive End Bearing Size	6203	UL	Recognized
CSA	Y	CE	Y
IP Code	22		

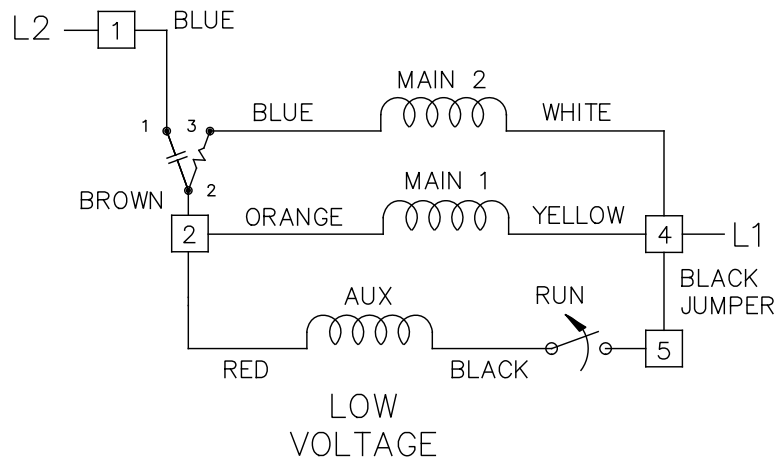
Technical Specifications

Electrical Type	SPLIT PHASE	Starting Method	ACROSS THE LINE
Poles	4	Rotation	SELECTIVE CCW
Mounting	RESILIENT BASE	Motor Orientation	HORIZONTAL
Drive End Bearing	BALL	Opp Drive End Bearing	BALL
Frame Material	ROLLED STEEL	Shaft Type	STANDARD 56
Overall Length	10.47 in	Frame Length	6.5 in
Shaft Diameter	0.63 in	Shaft Extension	1.97 in
Assembly/Box Mounting	F1 ONLY		

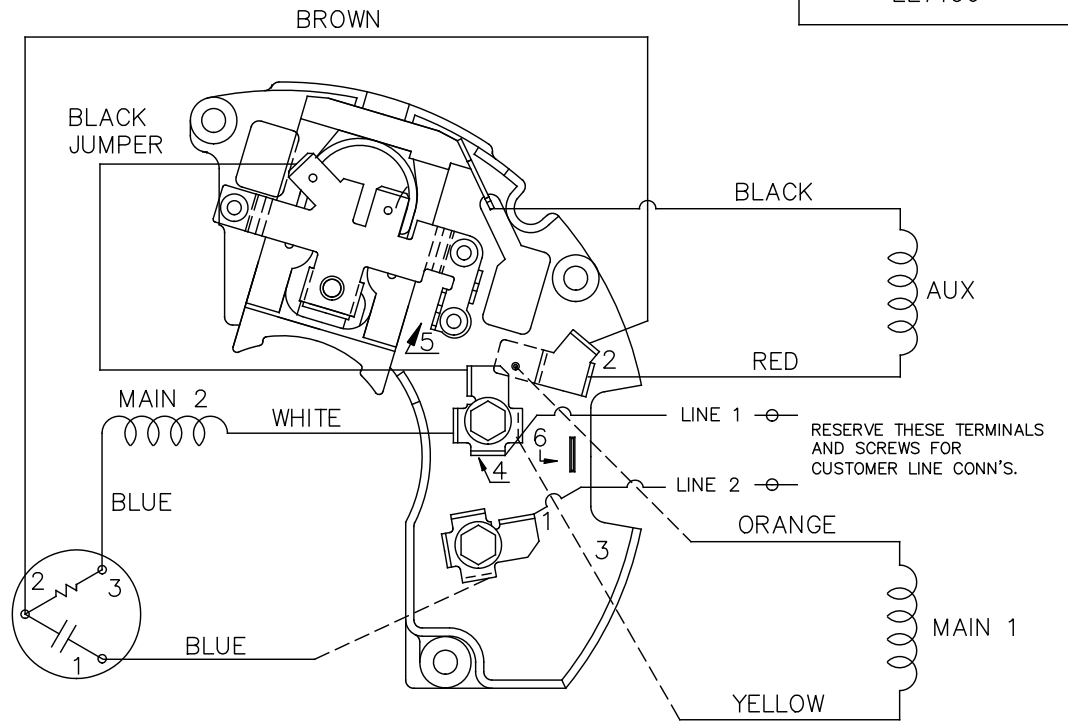


DASH	XB	XD	C	DASH	XB	XD	C
600	0	4.50	9.97	750	2.00	6.00	11.47
650	0	5.00	10.47				
700	0	5.50	10.97	800	2.00	6.50	11.97

				TOLERANCES UNLESS SPECIFIED			DRAWN NB 06-12-2007	
				DEC.	INCHES		CHK VL 06-12-2007	
				.X	±.1		APPD VL 06-12-2007	
				.XX	±.03		SCALE 3=8	
				.XXX	±.005		REF SS75077	
				.XXXX	±.0005	FMF CN41440		
NO.	REVISION	BY & DATE	CHK	ANG	±7'30"	MAT'L.	FINISH	PREV
				RFP	06-12-2007	CAD FILE ss403611		SIZE A
				DIST	WP			DRAWING NO. SS403611
								PAGE OF
								REV.



DUAL VOLTAGE – SPLIT PHASE
REVERSIBLE ON TERM BOARD
WITH OVERLOAD PROTECTION

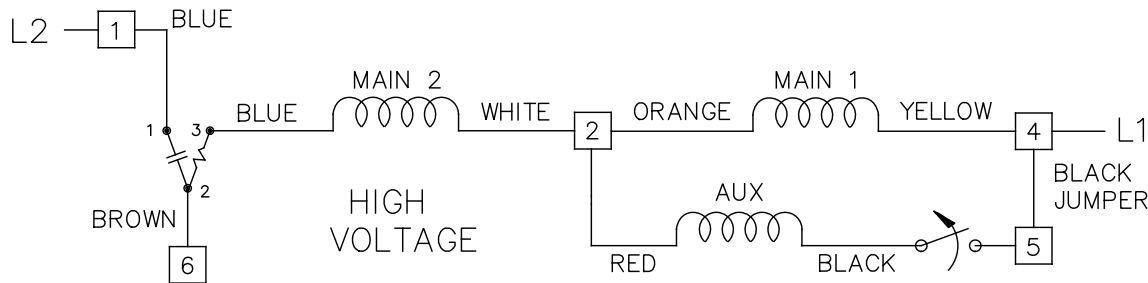



VIEWING TERM END

LOW VOLTAGE CCW ROTATION SHOWN.

FOR HIGH VOLTAGE
CONNECT BROWN TERM 2 TO TERM 6.
CONNECT WHITE TERM 4 TO TERM 2.

TO REVERSE ROTATION EITHER
VOLTAGE INTERCHANGE RED
LEAD WITH BLACK LEAD.



NO.	REVISION	BY & DATE	CHK	TOLERANCES UNLESS SPECIFIED		FINISH	DRAWN ML 01-28-1988			
				ANG	±					
5	TEMPLATE CHANGED TO REGAL	MVG 03-06-2017	SM	DEC.	INCHES	 Regal Beloit America, Inc.	CHK GK 01-05-1988			
4	REDRAWN IN AUTOCAD	TAT 08-02-2004	ML	.X	±.1		APPD DRN 03-15-1988			
3	REVISED LINE 2 LOCATION	CN 6427 RM 01-28-1991		.XX	±.02	TITLE CONNECTION DIAGRAM 48 FR. – DUAL VOLTAGE REVERSIBLE	SCALE 1=1			
2	ADDED CUSTOMER CONNECTION NOTE	CN 6011 BW 08-03-1989		.XXX	±.005		REF			
1	NEW DRAWING	ML 08-19-1988		.XXXX	±.0005	MAT'L.	FMF			
					±7'30"		PREV			
THIS DRAWING IN DESIGN AND DETAIL IS OUR PROPERTY AND MUST NOT BE USED EXCEPT IN CONNECTION WITH OUR WORK ALL RIGHTS OF DESIGN AND INVENTION ARE RESERVED THIS IS AN ELECTRONICALLY GENERATED DOCUMENT – DO NOT SCALE THIS PRINT				RFP	CAD FILE ee7196		SIZE A	DRAWING NO. EE7196	PAGE OF	REV. 5
				DIST WP						

CERTIFICATION DATA SHEET

Model#: 56S17D2064 J WINDING#: SM55497 NONE 4
 CONN. DIAGRAM: A-EE7196 ASSEMBLY: F1 ONLY
 OUTLINE: A-SS403611-650

TYPICAL MOTOR PERFORMANCE DATA

HP	KW	SYNC. RPM	F.L. RPM	FRAME	ENCLOSURE	KVA CODE	DESIGN
1/2&1/3	.37&0.25	1800	1725&1425	56	DP	L	NO DESIGN CODE

PH	Hz	VOLTS	FL AMPS	START TYPE	DUTY	INSL	S.F	AMB°C	ELEVATION
1	60/50	115/230#110/220	7.2/3.6&7.4/3.7	ACROSS THE LINE	CONTINUOUS	B3	1.25/1.0	40	3300

FULL LOAD EFF: 66&59.5	3/4 LOAD EFF: 0	1/2 LOAD EFF: 0	GTD. EFF	ELEC. TYPE	NO LOAD AMPS
FULL LOAD PF: 71.5&52	3/4 LOAD PF: 0	1/2 LOAD PF: 0	0	SPLIT PHASE	3.8 / 1.9

F.L. TORQUE	LOCKED ROTOR AMPS	L.R. TORQUE	B.D. TORQUE	F.L. RISE°C
24.3 LB-FT	44.4 / 22.2	34.2 LB-FT -	49.2 LB-FT -	0

SOUND PRESSURE @ 3 FT.	SOUND POWER	ROTOR WK^2	MAX. WK^2	SAFE STALL TIME	STARTS /HOUR	APPROX. MOTOR WGT
- dBA	- dBA	0 LB-FT^2	- LB-FT^2	- SEC.	-	0 LBS.

*** SUPPLEMENTAL INFORMATION ***

DE BRACKET TYPE	ODE BRACKET TYPE	MOUNT TYPE	ORIENTATION	SEVERE DUTY	HAZARDOUS LOCATION	DRIP COVER	SCREENS	PAINT
STANDARD	STANDARD	RESILIENT BASE	HORIZONTAL	FALSE	NONE	FALSE	NONE	GRAY (POWDER)

BEARINGS		GREASE	SHAFT TYPE	SPECIAL DE	SPECIAL ODE	SHAFT MATERIAL	FRAME MATERIAL
DE	OPE						
BALL	BALL	POLYREX EM	STANDARD 56	NONE	NONE	1144 STRESSPROOF (C-223)	ROLLED STEEL
6203	6203						

THERMO-PROTECTORS				THERMISTORS	CONTROL	SPACE /n HEATERS
THERMOSTATS	PROTECTORS	WDG RTDs	BRG RTDs			
NONE	AUTOMATIC	NONE	NONE	NONE	FALSE	NONE VOLTS

If Inverter equals NONE, contact factory for further information

*
N
O
T
E
*

INVERTER TORQUE: NONE
INV. HP SPEED RANGE: NONE
ENCODER: NONE
NONE NONE
NONE NONE PPR
BRAKE: NONE NONE
NONE P/N NONE
NONE NONE
NONE FT-LB NONE V NONE Hz

Uncontrolled Copy

** Subject to change without notice.