

PRODUCT INFORMATION PACKET

Modal No: 5K49SN8050
Catalog No: K408
1-1/2,1500,DP,145T,3/50/220/380
Open Drip Proof (ODP)



Regal and Marathon are trademarks of Regal Beloit Corporation or one of its affiliated companies.
©2017 Regal Beloit Corporation, All Rights Reserved. MC017097E



Nameplate Specifications

Output HP	1.5 Hp	Output KW	1.12 kW
Frequency	50 Hz	Voltage	220/380 V
Current	4.5,2.6 A	Speed	1425 rpm
Service Factor	1.15	Phases	3
Efficiency	81.7 %	Duty	CONT
Insulation Class	B	Design Code	B
KVA Code	G	Frame	145T
Enclosure	DP	Overload Protector	N/R
Ambient Temperature	40 °C	Drive End Bearing Size	6205
Opp Drive End Bearing Size	6203	UL	Recognized
CSA	Yes	CE	N

Technical Specifications

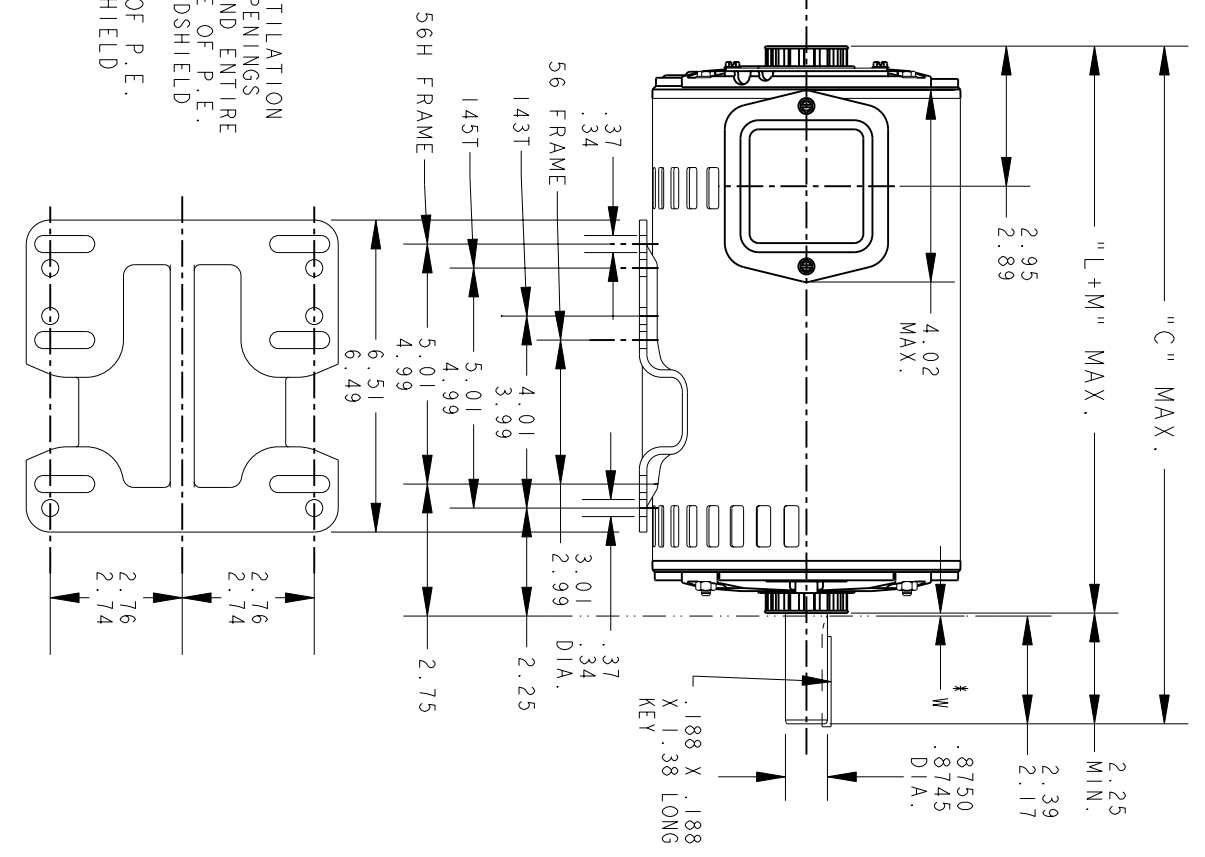
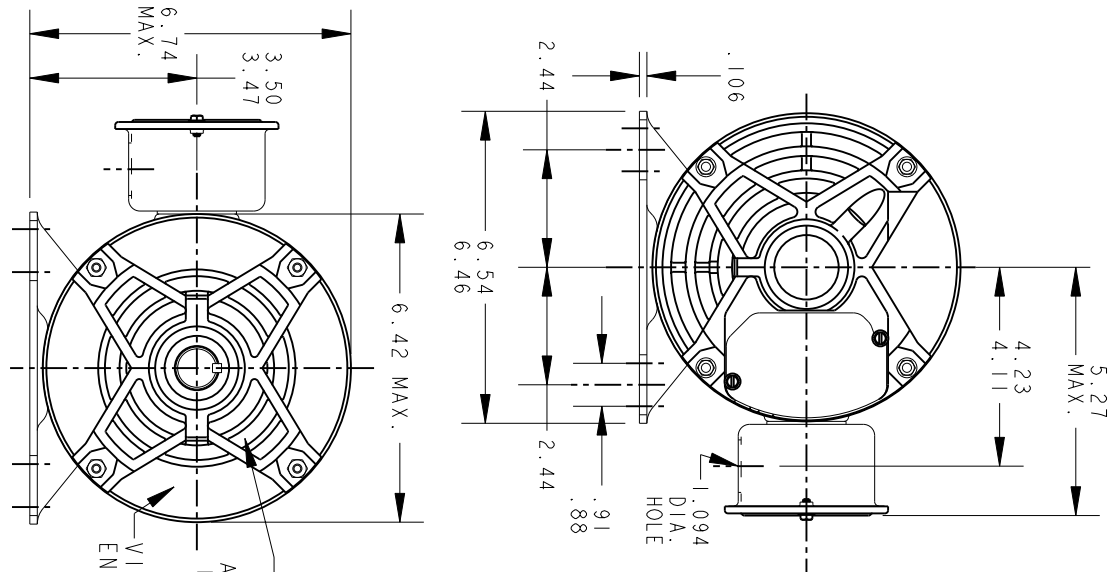
Electrical Type	Three Phase	Starting Method	N/R
Poles	4	Rotation	CCW/CW
Mounting	WB	Motor Orientation	ANY
Drive End Bearing	BALL	Opp Drive End Bearing	BALL
Frame Material	Rolled Steel	Overall Length	13.59 in
Frame Length	8.99 in	Shaft Diameter	0.88 in
Shaft Extension	2.25 in		

THIRD ANGLE PROJECTION



REVISIONS		DESCRIPTION	DATE	APPROVED
1		ADDED PART #2.	05/06/94	M. D. PAPE
2		CHG TO RBC FORMAT PER ISO5-11777	03/08/06	SUDHA

* W IS A VARIABLE CLEARANCE DUE TO VARIATIONS IN PARTS AND ASSEMBLY



ALL DIMENSIONS ARE IN INCHES

2	K	49	143T	13.59	11.32	
			145T			8.99
1	K <td>49 <th>143T</th> <th>14.23</th> <th>11.96</th> <th></th> </td>	49 <th>143T</th> <th>14.23</th> <th>11.96</th> <th></th>	143T	14.23	11.96	
			145T			9.63
P	TYPE	GE SIZE	NEMA FR.	"C"	"L+M"	MIN. SHELL

REGAL-BELOIT CORPORATION

OUTLINE

GENERAL PURPOSE MOTOR DP - BALL BRG.

WELD BASE FMF: 40 FRAME REDESIGN (5K49UN8051)

SIGNATURES		DATE
MODEL	MA MARKS	02/01/94
DETAIL		
CHECKED		
ENGRG		
MFG		
QUALITY		
ISSUED	M.A.M.	02/01/94
SOLID MODEL: 52A107890		

SCALE: 0.250 REF. No.: .

SIZE: DRAWING A

52A107890

REV 2

SHEET 1 of 1

RBC PROPRIETARY AND CONFIDENTIAL INFORMATION
 This document is the property of REGAL-BELOIT CORPORATION ("RBC") including its subsidiaries and divisions and contains proprietary information of RBC. This document is loaned on the express condition that neither the recipient nor any other person shall be permitted to disclose or disseminate the information contained herein and that the recipient shall return this document to RBC upon its request. This document may be subject to certain restrictions under U.S. export control laws and regulations.

REVISIONS			
REV.	DESCRIPTION	DATE	APPROVED
1	CHG TO RBC FORMAT PER ISO5-1777	06/15/06	MADHU
2	RENAMED 113A930_FIG-3 TO 113A930FIG3 PER ISO7-0972	05/08/07	MADHU

THIRD ANGLE PROJECTION

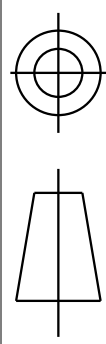
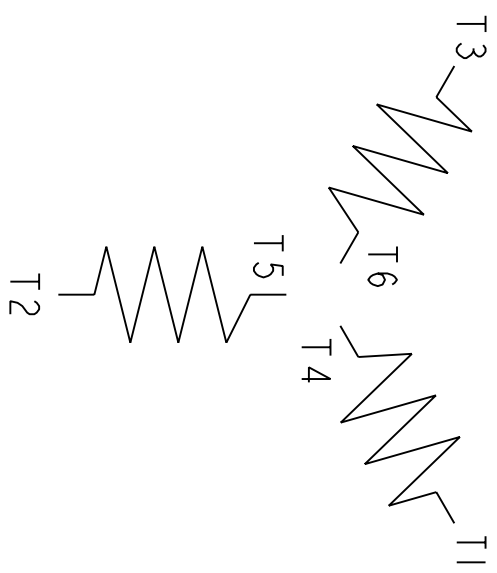


FIG. 3 3 PHASE



VOLTS	L1	L2	L3	TOGETHER
1Δ	LOW	1-6	2-4	3-5
1Y	HIGH	1	2	3
				4-5-6

BRAKE MOTORS : CONNECT BRAKE LEADS B1 & B2 TO MOTOR LEADS T1 & T4.

FOR ADDITIONAL INFO REFER TO:		SIGNATURES		DATE
APPLIED PRACTICES	MODEL	M.D. PAPE	02/25/03	
DIMENSIONS ARE IN INCHES				
TOLERANCE ON:				
1 PL DECIMALS ± 0.1				
2 PL DECIMALS ± 0.02				
3 PL DECIMALS ± 0.005				
ANGLES ± 1.0				
FRACTIONS ±				
FINISH	QUALITY	M.F.G		
ISSUED	M.D. PAPE	02/25/03		
MATERIAL	SOLID MODEL: 113A930F163			
<p>REGAL-BELOIT CORPORATION</p>		TITLE		
		CONNECTION DIAGRAM		
SIZE	DRAWING	SCALE	REF. No.	SHEET
A		1:000		1 of 1
113A930FIG3				REV 2