

PRODUCT INFORMATION PACKET

Modal No: 5KC36GN2507X
Catalog No: C1168
1/3,3450,DP,56Z,1/60/115/230
Jet Pump



Regal and Marathon are trademarks of Regal Beloit Corporation or one of its affiliated companies.
©2017 Regal Beloit Corporation, All Rights Reserved. MC017097E

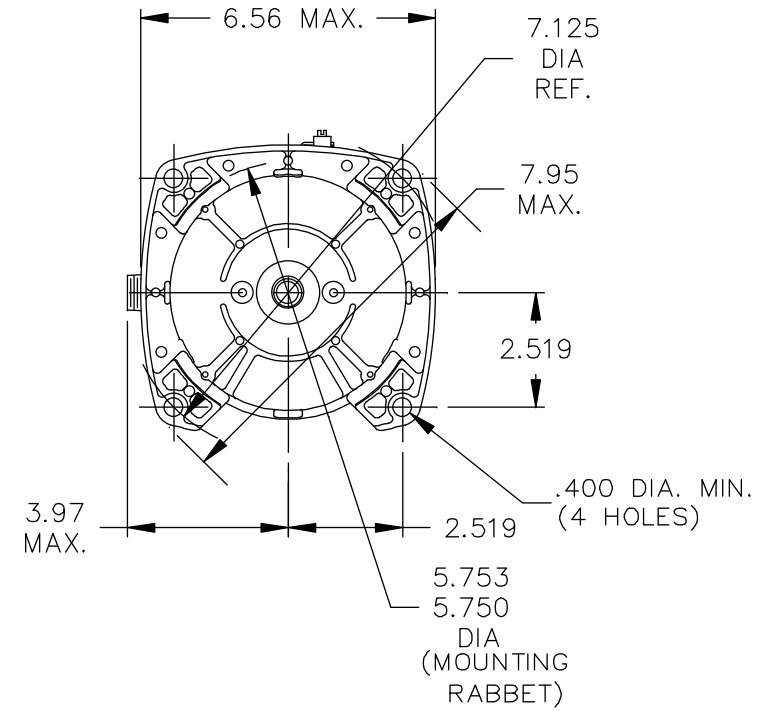
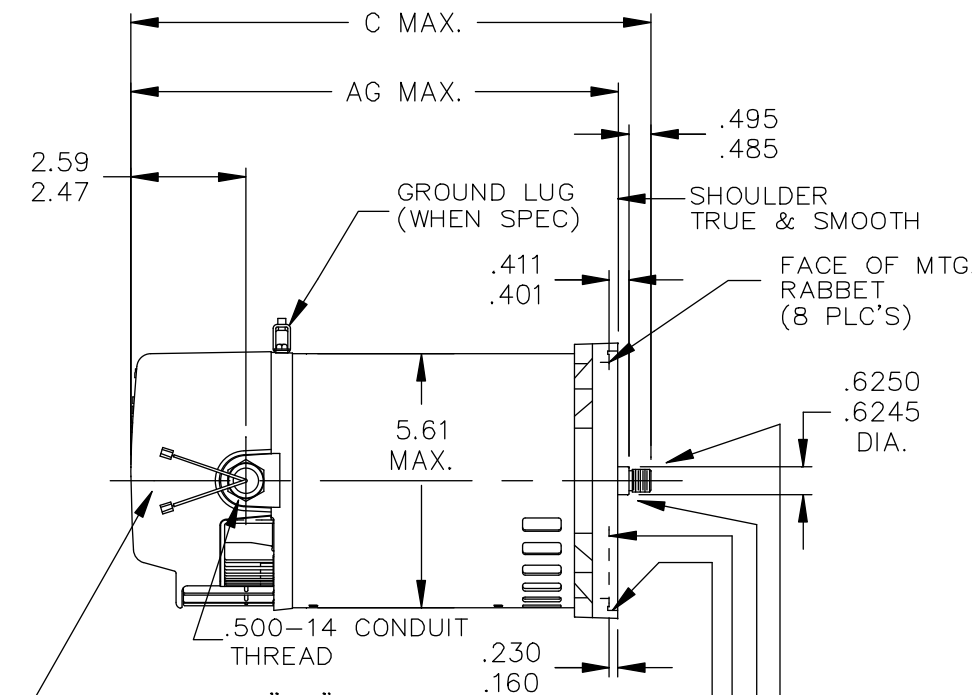
Nameplate Specifications

Output HP	0.33 Hp	Output KW	0.25 kW
Frequency	60 Hz	Voltage	115/230 V
Current	6.4,3.2 A	Speed	3450 rpm
Service Factor	1.95	Phases	1
Efficiency	57.5 %	Duty	CONT
Insulation Class	B	KVA Code	J
Frame	56Y	Enclosure	DP
Overload Protector	AUTO	Ambient Temperature	40 °C
Drive End Bearing Size	6203	Opp Drive End Bearing Size	6203
UL	Recognized	CSA	Yes
CE	N		

Technical Specifications

Electrical Type	Capacitor start(CSIR)	Starting Method	SM
Poles	2	Rotation	CW
Mounting	RD	Motor Orientation	ANY
Drive End Bearing	LOCKED	Opp Drive End Bearing	BALL
Frame Material	Rolled Steel	Overall Length	11.59 in
Frame Length	6.22 in	Shaft Diameter	0.63 in
Shaft Extension	0.265 in		

52A107191

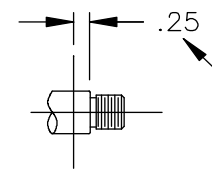


ECCENTRICITY OF THIS SURFACE (WITH INDICATOR MOUNTED STATIONARY RELATIVE TO SHAFT) MUST NOT EXCEED .004 T.I.R.

FACE RUNOUT (WITH INDICATOR MOUNTED STATIONARY RELATIVE TO SHAFT) MUST NOT EXCEED .004 T.I.R.

MATING PARTS SHOULD BE RELIEVED ONE THREAD TO CLEAR FILLET

.500-20 UNF-2A (SEE VIEW AT RIGHT)

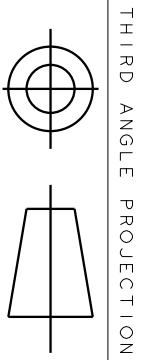


ENLARGED VIEW
SHAFT EXTENSION

ECCENTRICITY OF SHAFT AT THIS POINT NOT TO EXCEED .002 T.I.R.

2	KC	38	56Z	12.59	11.86	7.22
1	KC	36	56Z	11.59	10.86	6.22
P	TYPE	RBC SIZE	NEMA FR	C	AG	SHELL REF.

				TOLERANCES UNLESS SPECIFIED			DRAWN BJS 09/09/91		
6	JET/POOL IS REPLACED BY JET PUMP PER ECO-0033464	PVR 05/15/13	DS	DEC.	INCHES	REGAL-BELOIT CORPORATION			
5	ADDED DIM 7.95 MAX. PER ISO6-1166.	SUD 08/03/06	.X	±.1	REGAL-BELOIT CORPORATION				
4	CHG TO RBC FORMAT PER ISO5-1777	SUD 02/22/06	.XX	±.03	TITLE	OUTLINE	SCALE	3=8	
3	REVISED PER TI95-21,753.	MDP 04/27/95	.XXX	±.005	2 COMPARTMENT UPGRADE - 56Z - JET PUMP				
2	REV. PER (TI94-21348 & 348A)	MAM 09/28/94	.XXXX	±.0005	MAT'L.	REF			
NO.	REVISION	BY & DATE	CHK	ANG	FINISH	3 of 4	FMF	PREV	

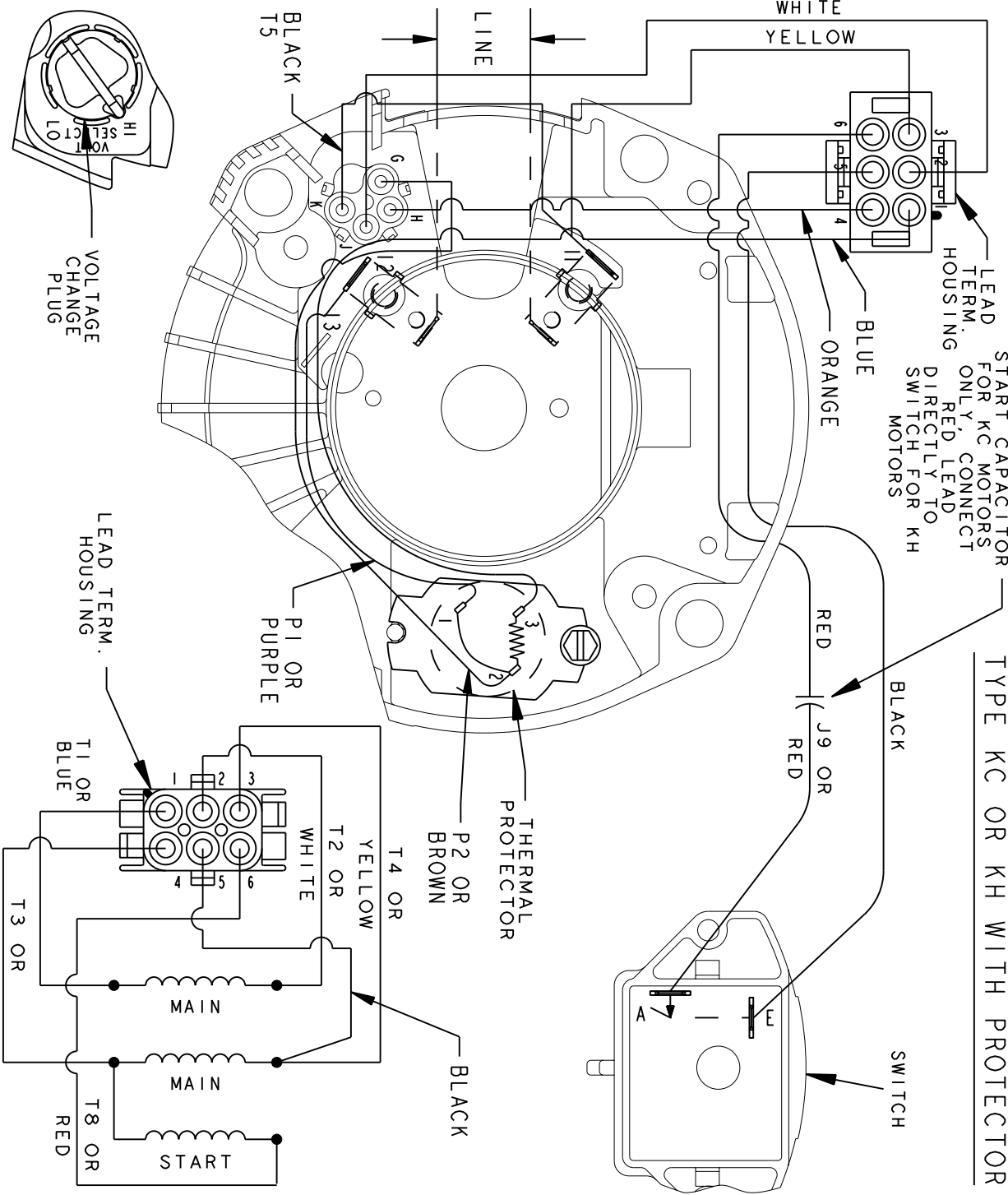


THIRD ANGLE PROJECTION

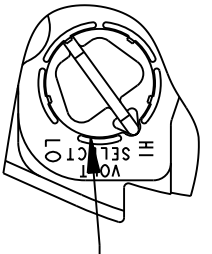
REV.	DESCRIPTION	DATE	APPROVED
2	UPDATED TO RBC FORMAT	01/11/06	MAM

REVISIONS

SET ROTATION - DUAL VOLTAGE
TYPE KC OR KH WITH PROTECTOR



NOTE#1 - HI VOLTAGE SHOWN FOR LOW VOLTAGE
ROTATE VOLTAGE CHANGE PLUG TO LO POSITION.



CONNECTION LABEL - 52X333027

SIGNATURES	DATE
MODEL B.L.J.	07/21/92
DETAIL	
CHECKED	
ENGRG	
MFG	
QUALITY	
ISSUED B.L.J.	07/21/92
MATERIAL	SOLID MODEL: 52A106889



REGAL-BELOLT CORPORATION

TITLE CONNECTION DIAGRAM

FMF: 2 COMPARTMENT DUAL VOLT, SET ROTATION

SIZE DRAWING A

SCALE: 1.000 REF. No.

52A106889

REVISION 2

SHEET 1 of 1