

# PRODUCT INFORMATION PACKET

Modal No: 5KC36MN2508X  
Catalog No: C1169  
1/2,3450,DP,56Z,1/60/115/230  
Jet Pump



Regal and Marathon are trademarks of Regal Beloit Corporation or one of its affiliated companies.  
©2017 Regal Beloit Corporation, All Rights Reserved. MC017097E



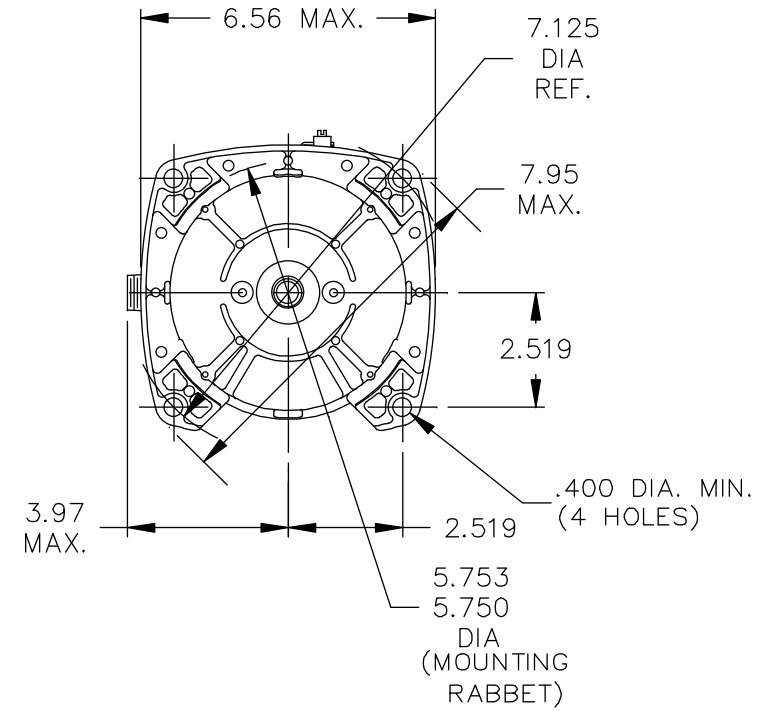
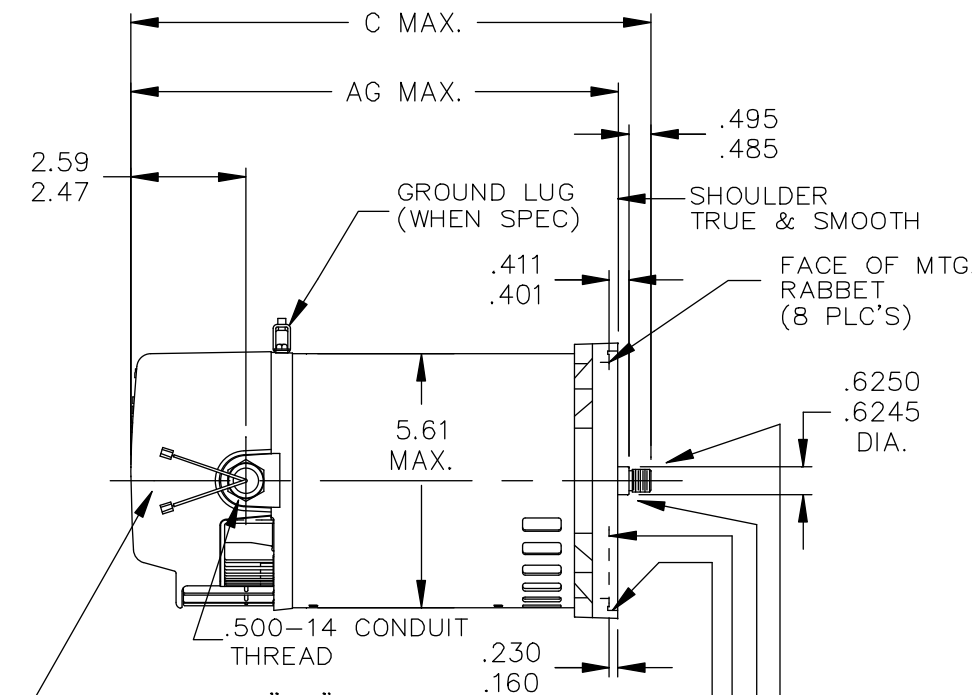
## Nameplate Specifications

Output HP	<b>0.5 Hp</b>	Output KW	<b>0.37 kW</b>
Frequency	<b>60 Hz</b>	Voltage	<b>115/230 V</b>
Current	<b>10.8,5.4 A</b>	Speed	<b>3450 rpm</b>
Service Factor	<b>1.9</b>	Phases	<b>1</b>
Efficiency	<b>64.5 %</b>	Duty	<b>CONT</b>
Insulation Class	<b>B</b>	KVA Code	<b>L</b>
Frame	<b>56Y</b>	Enclosure	<b>DP</b>
Overload Protector	<b>AUTO</b>	Ambient Temperature	<b>40 °C</b>
Drive End Bearing Size	<b>6203</b>	Opp Drive End Bearing Size	<b>6203</b>
UL	<b>Recognized</b>	CSA	<b>Yes</b>
CE	<b>N</b>		

## Technical Specifications

Electrical Type	<b>Capacitor start(CSIR)</b>	Starting Method	<b>SM</b>
Poles	<b>2</b>	Rotation	<b>CW</b>
Mounting	<b>RD</b>	Motor Orientation	<b>ANY</b>
Drive End Bearing	<b>LOCKED</b>	Opp Drive End Bearing	<b>BALL</b>
Frame Material	<b>Rolled Steel</b>	Overall Length	<b>11.59 in</b>
Frame Length	<b>6.22 in</b>	Shaft Diameter	<b>0.63 in</b>
Shaft Extension	<b>0.265 in</b>		

52A107191

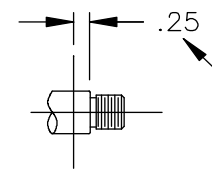


ECCENTRICITY OF THIS SURFACE (WITH INDICATOR MOUNTED STATIONARY RELATIVE TO SHAFT) MUST NOT EXCEED .004 T.I.R.

FACE RUNOUT (WITH INDICATOR MOUNTED STATIONARY RELATIVE TO SHAFT) MUST NOT EXCEED .004 T.I.R.

MATING PARTS SHOULD BE RELIEVED ONE THREAD TO CLEAR FILLET

.500-20 UNF-2A (SEE VIEW AT RIGHT)

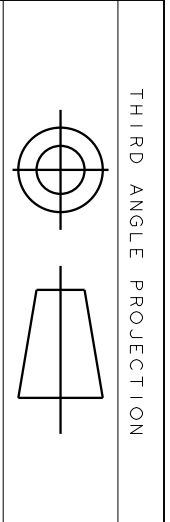


ENLARGED VIEW  
SHAFT EXTENSION

ECCENTRICITY OF SHAFT AT THIS POINT NOT TO EXCEED .002 T.I.R.

2	KC	38	56Z	12.59	11.86	7.22
1	KC	36	56Z	11.59	10.86	6.22
P	TYPE	RBC SIZE	NEMA FR	C	AG	SHELL REF.

				TOLERANCES UNLESS SPECIFIED			DRAWN BJS 09/09/91		
6	JET/POOL IS REPLACED BY JET PUMP PER ECO-0033464	PVR 05/15/13	DS	DEC.	INCHES	REGAL-BELOIT CORPORATION			
5	ADDED DIM 7.95 MAX. PER ISO6-1166.	SUD 08/03/06	.X	±.1	REGAL-BELOIT CORPORATION				
4	CHG TO RBC FORMAT PER ISO5-1777	SUD 02/22/06	.XX	±.03	TITLE	OUTLINE	SCALE	3=8	
3	REVISED PER TI95-21,753.	MDP 04/27/95	.XXX	±.005	2 COMPARTMENT UPGRADE - 56Z - JET PUMP				
2	REV. PER (TI94-21348 & 348A)	MAM 09/28/94	.XXXX	±.0005	MAT'L.	REF			
NO.	REVISION	BY & DATE	CHK	ANG	FINISH	3 of 4	FMF	PREV	

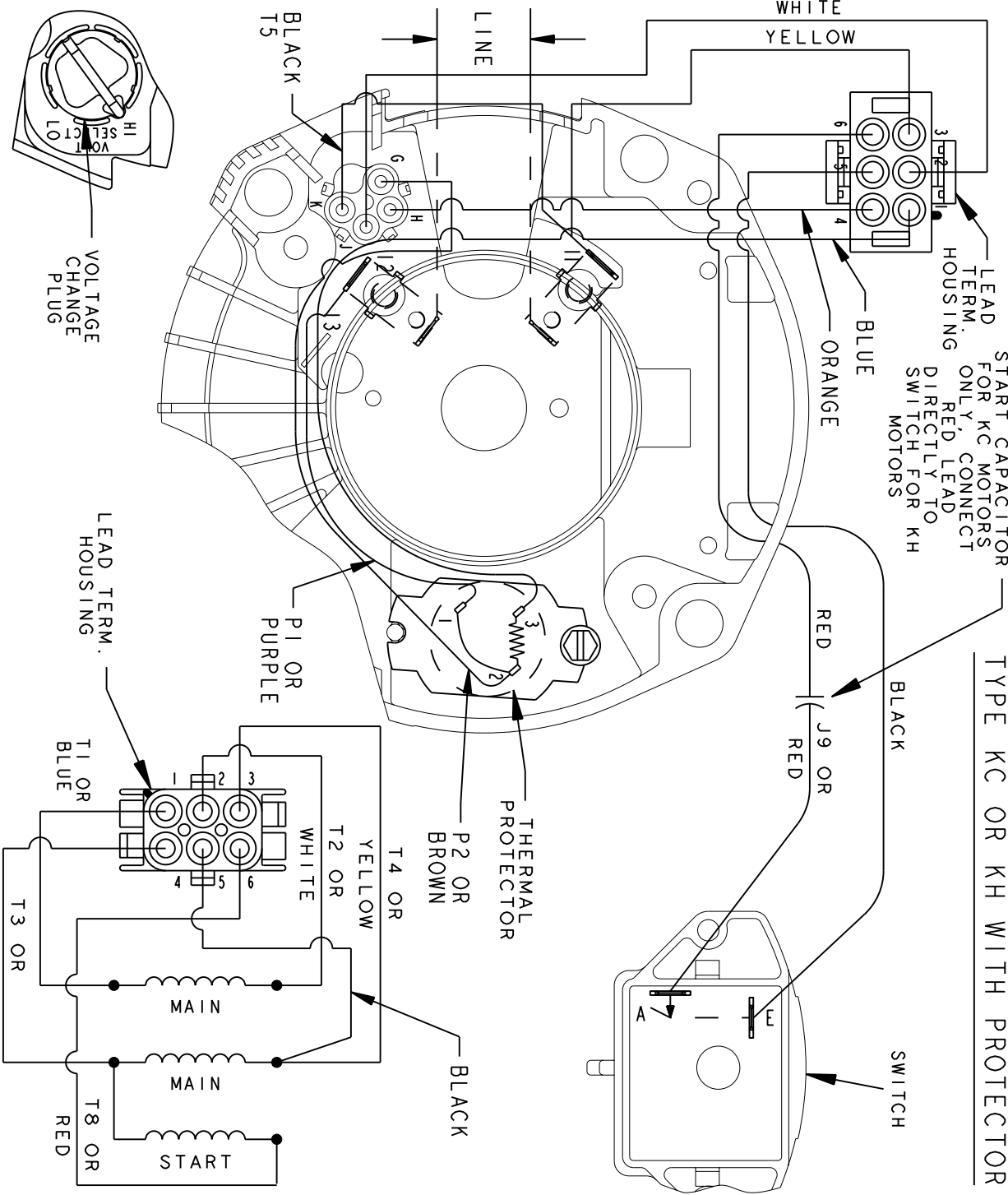


THIRD ANGLE PROJECTION

REVISIONS

REV.	DESCRIPTION	DATE	APPROVED
2	UPDATED TO RBC FORMAT	01/11/06	MAM

SET ROTATION - DUAL VOLTAGE  
TYPE KC OR KH WITH PROTECTOR



NOTE#1 - HI VOLTAGE SHOWN FOR LOW VOLTAGE  
ROTATE VOLTAGE CHANGE PLUG TO  
LO POSITION.

CONNECTION LABEL - 52X333027

SIGNATURES	DATE
MODEL B.L.J.	07/21/92
DETAIL	
CHECKED	
ENGRG	
MFG	
QUALITY	
ISSUED B.L.J.	07/21/92
SOLID MODEL: 52A106889	



REGAL-BELOLT CORPORATION

TITLE CONNECTION DIAGRAM

FMF: 2 COMPARTMENT DUAL VOLT, SET ROTATION

SIZE DRAWING A 52A106889 REV 2

SCALE: 1.000 REF. No.: SHEET 1 of 1