

# PRODUCT INFORMATION PACKET

Modal No: 5KC37FN65X  
Catalog No: C329  
1/3,3450,DP,56J,1/60/115/230  
Single Phase



Regal and Marathon are trademarks of Regal Beloit Corporation or one of its affiliated companies.  
©2017 Regal Beloit Corporation, All Rights Reserved. MC017097E



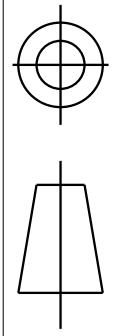
## Nameplate Specifications

Output HP	<b>0.33 Hp</b>	Output KW	<b>0.25 kW</b>
Frequency	<b>60 Hz</b>	Voltage	<b>115/208-230 V</b>
Current	<b>6.4,3.0-3.2 A</b>	Speed	<b>3450 rpm</b>
Service Factor	<b>1.75</b>	Phases	<b>1</b>
Efficiency	<b>54.6 %</b>	Duty	<b>CONT</b>
Insulation Class	<b>B</b>	KVA Code	<b>M</b>
Frame	<b>56J</b>	Enclosure	<b>DP</b>
Overload Protector	<b>AUTO</b>	Ambient Temperature	<b>40 °C</b>
Drive End Bearing Size	<b>6203</b>	Opp Drive End Bearing Size	<b>6203</b>
UL	<b>Recognized</b>	CSA	<b>Yes</b>
CE	<b>N</b>		

## Technical Specifications

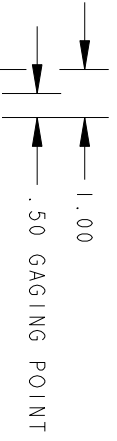
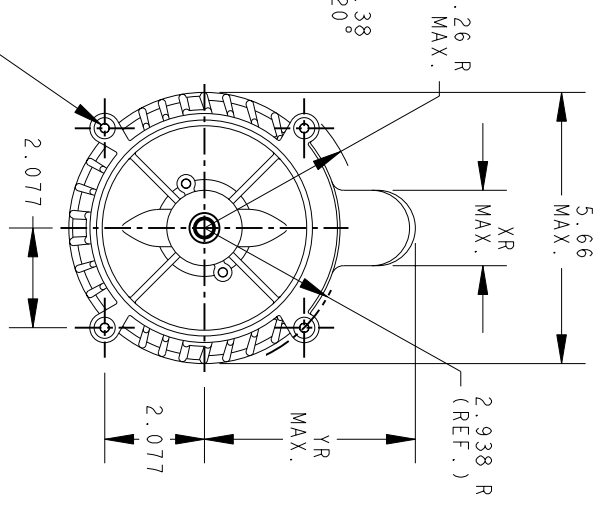
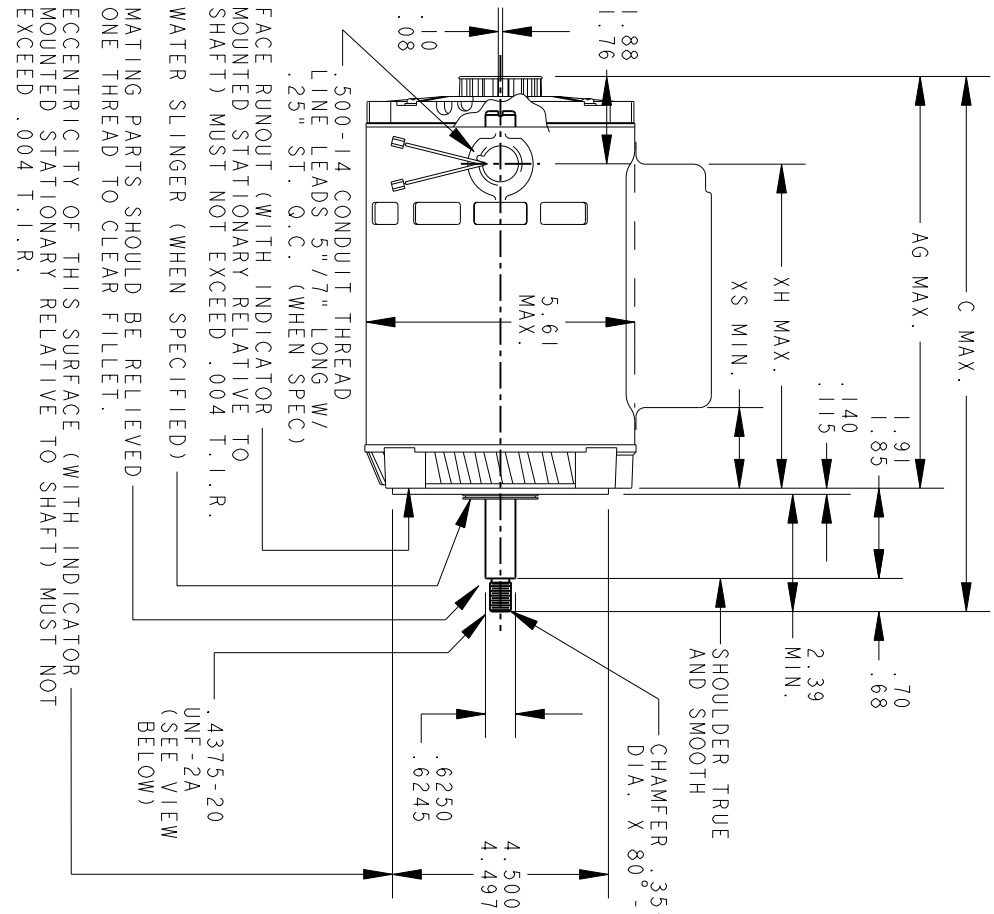
Electrical Type	<b>Capacitor start(CSIR)</b>	Starting Method	<b>SM</b>
Poles	<b>2</b>	Rotation	<b>CW</b>
Mounting	<b>RD</b>	Motor Orientation	<b>ANY</b>
Drive End Bearing	<b>LOCKED</b>	Opp Drive End Bearing	<b>BALL</b>
Frame Material	<b>Rolled Steel</b>	Overall Length	<b>11.22 in</b>
Frame Length	<b>6.62 in</b>	Shaft Diameter	<b>0.63 in</b>
Shaft Extension	<b>2.39 in</b>		

THIRD ANGLE PROJECTION



REVISIONS

REV.	DESCRIPTION	DATE	APPROVED
9	REDRAWN BY 2M SOFTWARE CO	02/05/95	CCP
10	FORMAT CHG PER ISAAC 05-1777	01/06/06	RAJKUMAR



8	KC	37	56J	11.35	8.76	1.39	7.03	2.72	5.44		
7	KC	39	56J	13.10	10.49	3.27	8.91	1.60	4.34	8.50	
6	KC	39	56J	12.35	9.74	2.52	8.16	1.60	4.34	7.75	
5	KC	38	56J	11.82	9.21	1.99	7.63	1.60	4.34		
4	KC	37	56J	11.22	8.61	1.39	7.03	1.60	4.34		
3	KC	36	56J	10.82	8.21	1.39	6.63	1.60	4.34		
2	KC	38	56J	11.82	9.21	1.99	7.63	2.22	4.96		
1	KC	39	56J	12.35	9.74	2.19	7.83	2.22	4.96	7.75	
P	TYPE	GE	NEMA	FR	C	AG	XS	XH	XR	YR	SHELL REF.

ECCENTRICITY OF THREADED PORTION OF SHAFT IS HELD WITHIN .004 GAGE READING WITH THE INDICATOR ON O.D. OF GROUND RING GAGE AS SHOWN, THE GAGE BEING STATIONARY WITH RESPECT TO THE ROTOR.



REGAL-BELOIT CORPORATION

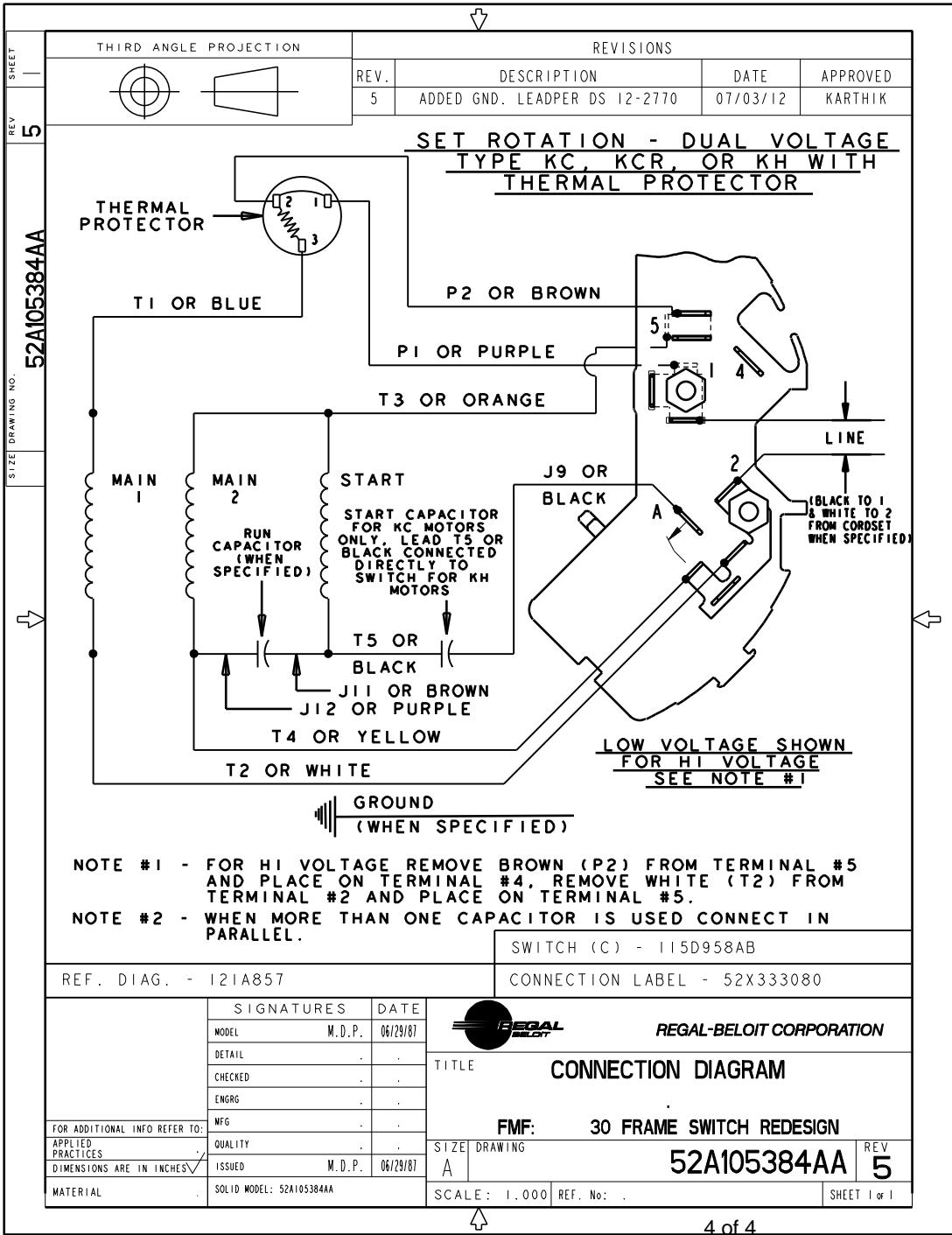
OUTLINE

FORM N - PUMP MOTOR - DRIP PROOF - R2 END MOUNTED SLEEVE & BALL BEARING - FME5KC37MN135T

SIGNATURES		DATE
MODEL	B.A.C	04/24/78
DETAIL		
CHECKED		
ENGRG		
MFG		
QUALITY		
ISSUED	C.C.P	02/05/95
APPLIED PRACTICES		
FOR ADDITIONAL INFO REFER TO:		
DIMENSIONS ARE IN INCHES		
MATERIAL	SOLID MODEL: 52A102690	

SIZE	DRAWING	SCALE	REF. No.	SHEET
A	A	0.250		1 of 1

52A102690 10



SHEET 5  
 REV 5  
 SIZE DRAWING NO. 52A105384AA