

PRODUCT INFORMATION PACKET

Modal No: 5KC37NN3544T
Catalog No: C1467
3/4,3450,TENV,56Z,1/60/115/230
Aeration Fan



Regal and Marathon are trademarks of Regal Beloit Corporation or one of its affiliated companies.

©2017 Regal Beloit Corporation, All Rights Reserved. MC017097E



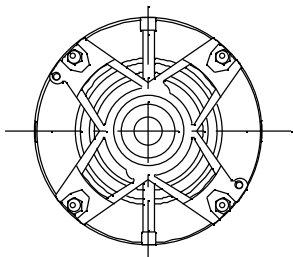
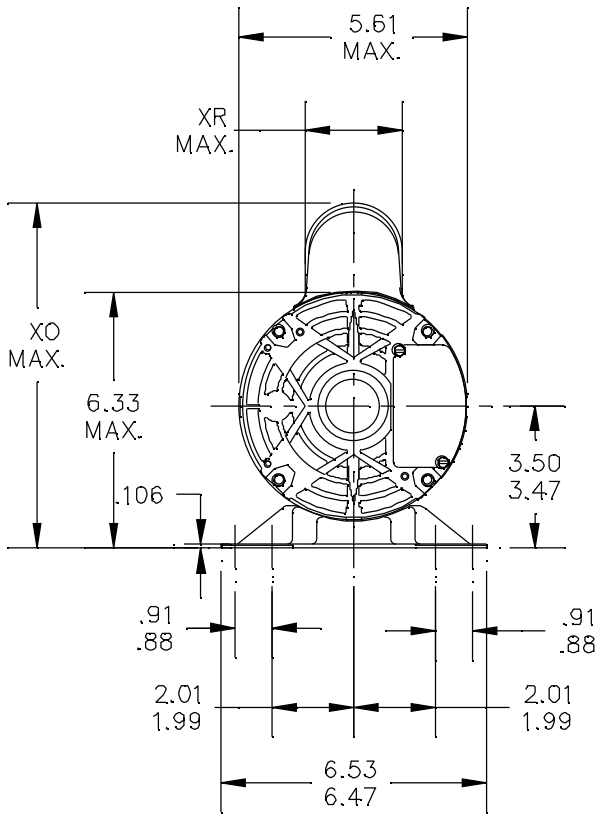
Nameplate Specifications

Output HP	0.75 Hp	Output KW	0.56 kW
Frequency	60 Hz	Voltage	115/230 V
Current	9.8,4.9 A	Speed	3450 rpm
Service Factor	1.25	Phases	1
Efficiency	71.7 %	Duty	CONT
Insulation Class	B	KVA Code	K
Frame	56Z	Enclosure	TENV
Overload Protector	AUTO	Ambient Temperature	40 °C
Drive End Bearing Size	6203	Opp Drive End Bearing Size	6203
UL	Recognized	CSA	Yes
CE	N		

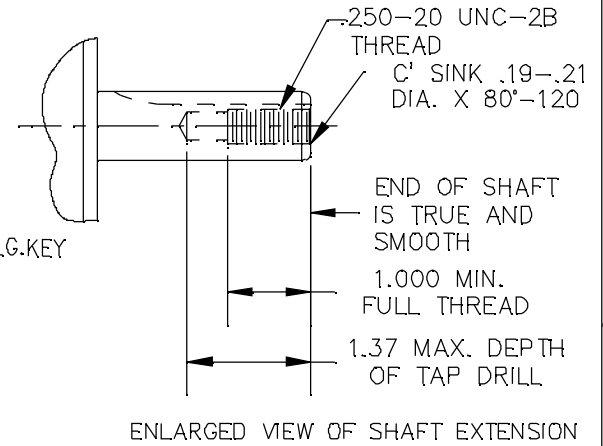
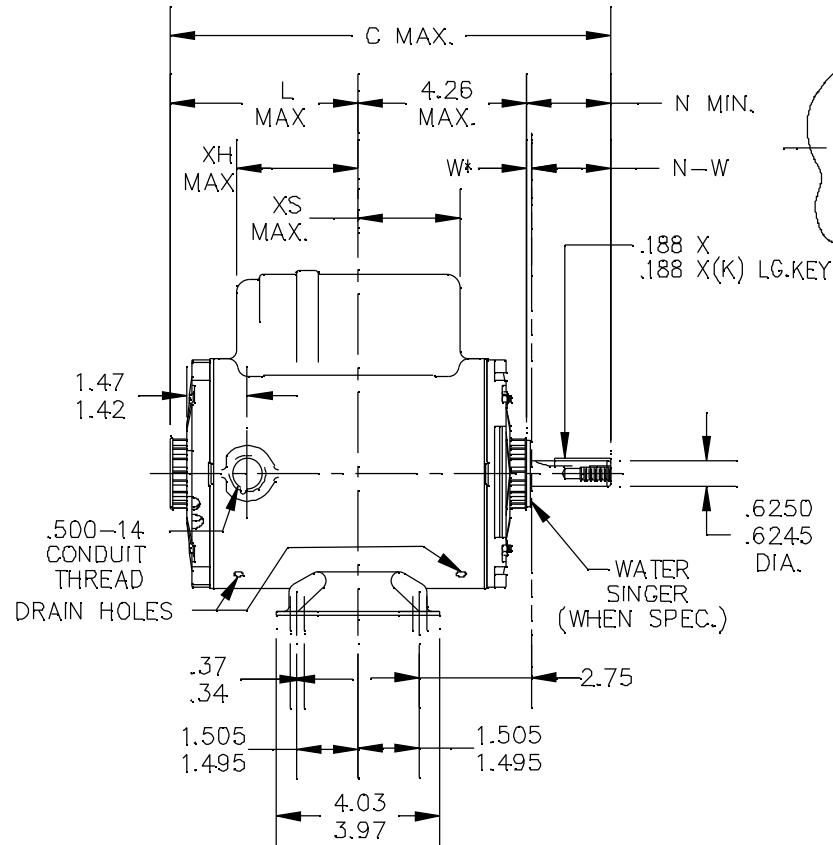
Technical Specifications

Electrical Type	Capacitor start(CSIR)	Starting Method	SM
Poles	2	Rotation	CCW/CW
Mounting	WB	Motor Orientation	ANY
Drive End Bearing	BALL	Opp Drive End Bearing	BALL
Frame Material	Rolled Steel	Overall Length	11.26 in
Frame Length	6.62 in	Shaft Diameter	0.63 in
Shaft Extension	2.25 in		

52A109516



VIEW
SHOWING P.E.
(NO VENTS)



W* IS A CLEARANCE DUE TO VARIATION
IN PARTS AND ASSEMBLY.

1	KC	37	56Z	11.26	1.62	4.63	2.25	2.38/2.19	2.99	2.68	7.85	1.60
P	TYPE	RBC SIZE	NEMA FR	C	K	L	N	N-W	XH	XS	XO	XR

TOLERANCES
UNLESS SPECIFIED

DEC. INCHES

.X ±0.1

.XX ±0.02

.XXX ±0.005

.XXXX ±0.0005

ANG ±1.0



REGAL-BELOIT CORPORATION

DRAWN M.D.P 04/18/94

CHK

APPD M.D.P 04/18/94

SCALE 1=1

REF

PREV

NO.	REVISION	BY & DATE	CHK	ANG	FINISH
4	REDRAWN IN DRAFT SIGHT NO CHANGES	PVR 10/16/12	PKG	.XX	TITLE
3	TAPPING ADDED PER ISO9-1251	AMI 04/03/06		.XXX	OUTLINE
2	CHG TO RBC FORMAT PER ISO5-1777	SUD 03/16/06		.XXXX	TENV - WELDED BASE
					MAT'L.
					3 of 4

