

PRODUCT INFORMATION PACKET

Modal No: 5KC39EN2553X
Catalog No: C1081
1/3,3450,DP,56C,1/60/115/230
Jet Pump



Regal and Marathon are trademarks of Regal Beloit Corporation or one of its affiliated companies.
©2017 Regal Beloit Corporation, All Rights Reserved. MC017097E



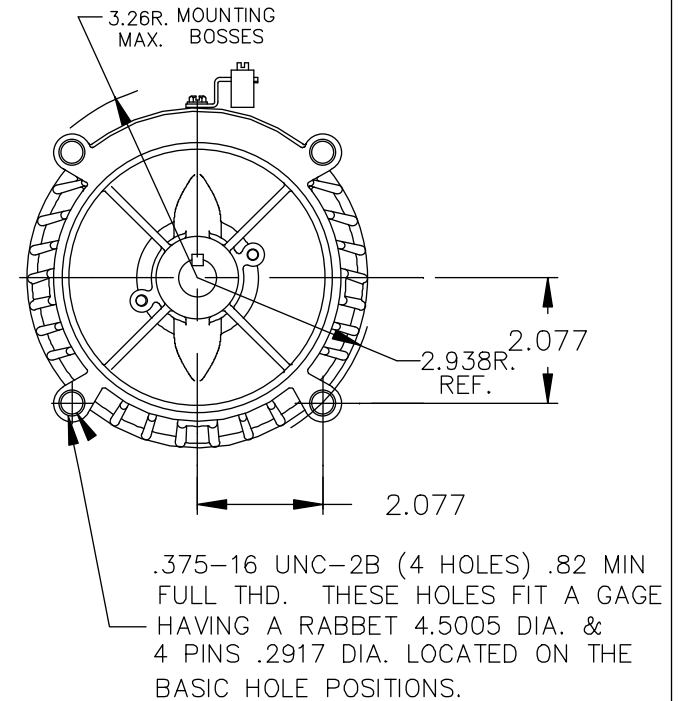
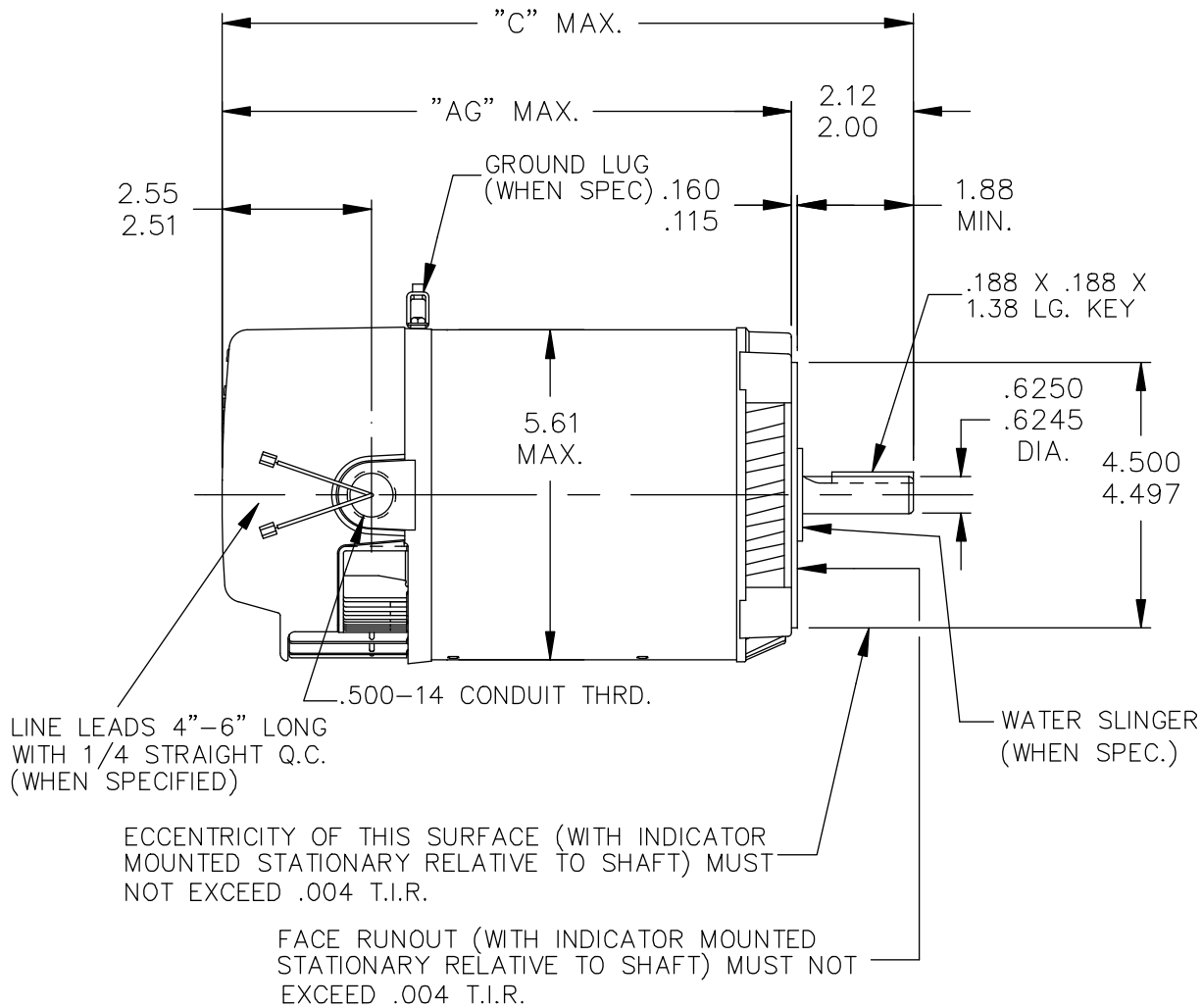
Nameplate Specifications

Output HP	0.33 Hp	Output KW	0.25 kW
Frequency	60 Hz	Voltage	115/230 V
Current	6.2,3.1 A	Speed	3450 rpm
Service Factor	1.75	Phases	1
Efficiency	57.9 %	Duty	CONT
Insulation Class	B	KVA Code	L
Frame	56C	Enclosure	DP
Overload Protector	AUTO	Ambient Temperature	50 °C
Drive End Bearing Size	6203	Opp Drive End Bearing Size	6203
UL	Recognized	CSA	Yes
CE	N		

Technical Specifications

Electrical Type	Capacitor start(CSIR)	Starting Method	SM
Poles	2	Rotation	CW
Mounting	RD	Motor Orientation	ANY
Drive End Bearing	LOCKED	Opp Drive End Bearing	BALL
Frame Material	Rolled Steel	Overall Length	11.03 in
Frame Length	4.43 in	Shaft Diameter	0.63 in
Shaft Extension	1.88 in		

52A107160

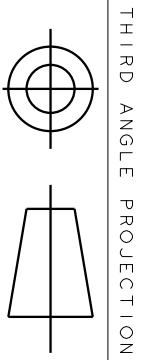


4	KC	39	56C	15.10	12.98	8.50
3	KC	39	56C	13.47	11.35	6.87
2	KC	33	56C	12.01	9.89	5.41
1	KC,KH	39	56C	11.03	8.91	4.43
P	TYPE	RBC SIZE	NEMA FR	C	AG	SHELL REF.

				TOLERANCES UNLESS SPECIFIED		DRAWN BJS 06/13/91	
NO.	REVISION	BY & DATE	CHK	ANG	±	FINISH	PREV
10	JET/POOL IS REPLACED BY JET PUMP PER ECO-0033464	PVR 05/15/13	DEC.	INCHES			CHK
9	CHG TO RBC FORMAT PER ISO5-1777	SUD 02/21/06	.X	±.1			APPD CCP 03/10/95
8	ADDED PART #4.	MDP 10/24/95	.XX	±.03	TITLE	OUTLINE	SCALE 3=8
6	REDRAWN BY 2M SOFTWARE CO.	CCP 03/10/95	.XXX	±.005	2 COMPARTMENT UPGRADE - 56C - JET PUMP		REF
5	REV'D ORIENTATION OF GROUND LUG	BLJ 11/11/91	.XXXX	±.0005	MAT'L.		FMF
				±1/2"		3 of 4	PREV



REGAL-BELOIT CORPORATION

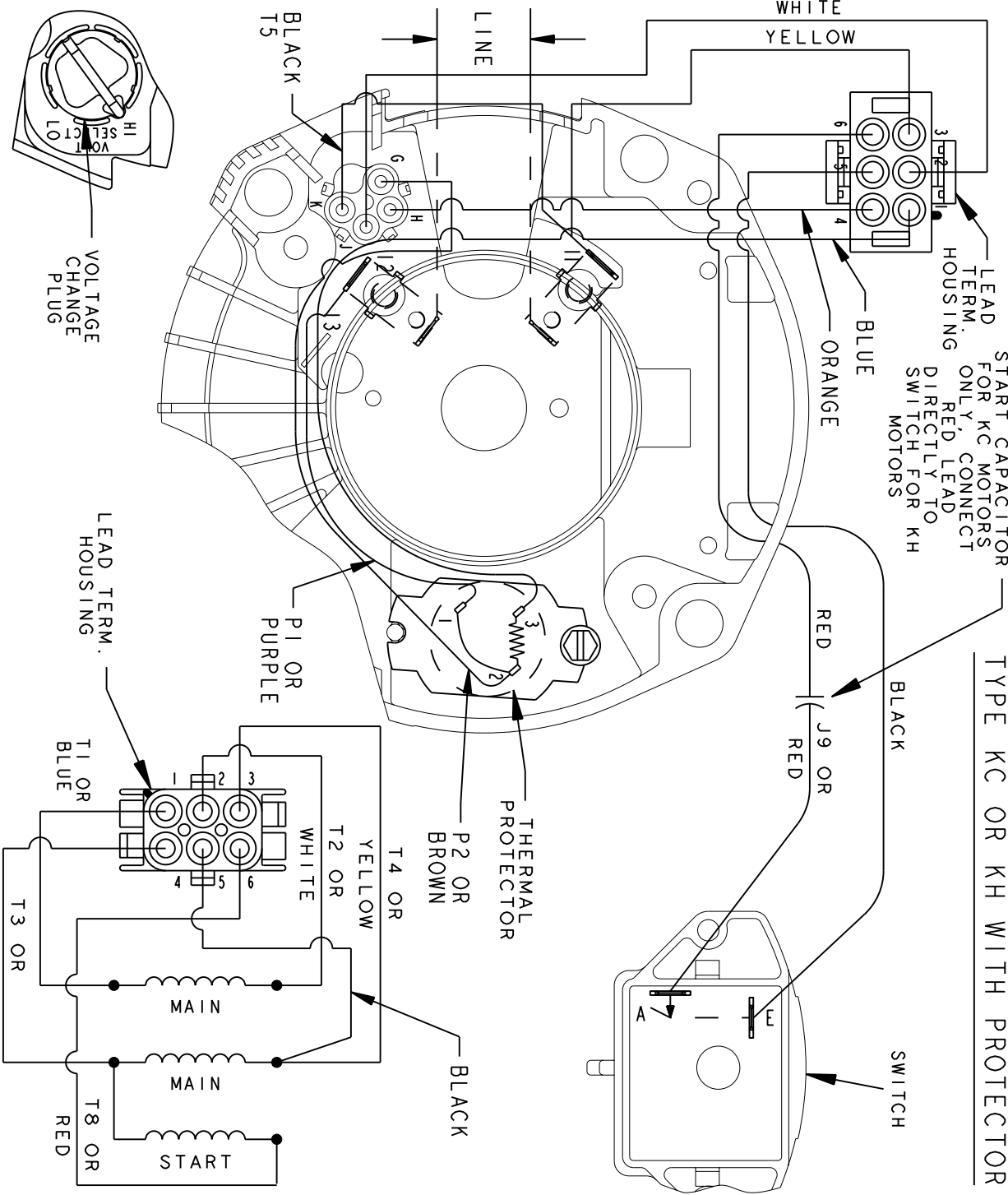


THIRD ANGLE PROJECTION

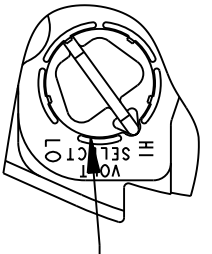
REV.	DESCRIPTION	DATE	APPROVED
2	UPDATED TO RBC FORMAT	01/11/06	MAM

REVISIONS

SET ROTATION - DUAL VOLTAGE
TYPE KC OR KH WITH PROTECTOR



NOTE#1 - HI VOLTAGE SHOWN FOR LOW VOLTAGE
ROTATE VOLTAGE CHANGE PLUG TO LO POSITION.



CONNECTION LABEL - 52X333027

SIGNATURES	DATE
MODEL B.L.J.	07/21/92
DETAIL	
CHECKED	
ENGRG	
MFG	
QUALITY	
ISSUED B.L.J.	07/21/92
SOLID MODEL: 52A106889	

FOR ADDITIONAL INFO REFER TO:
APPLIED PRACTICES
DIMENSIONS ARE IN INCHES



REGAL-BELOLT CORPORATION

TITLE CONNECTION DIAGRAM

FMF: 2 COMPARTMENT DUAL VOLT, SET ROTATION

SIZE DRAWING A
SCALE: 1.000 REF. No.:
52A106889

SHEET 1 of 1