

# PRODUCT INFORMATION PACKET

Modal No: 5KC39HN2554X  
Catalog No: C1082  
1/2,3450,DP,56C,1/60/115/230  
Jet Pump



Regal and Marathon are trademarks of Regal Beloit Corporation or one of its affiliated companies.  
©2017 Regal Beloit Corporation, All Rights Reserved. MC017097E



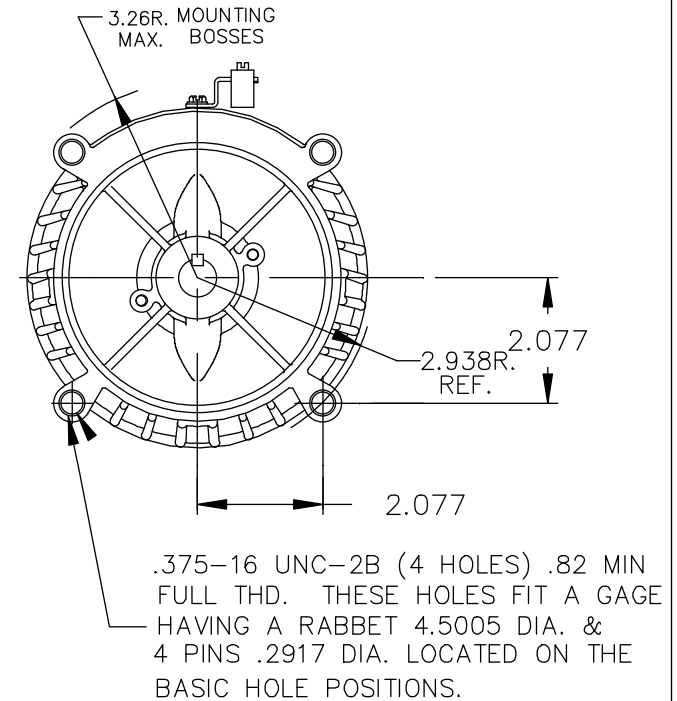
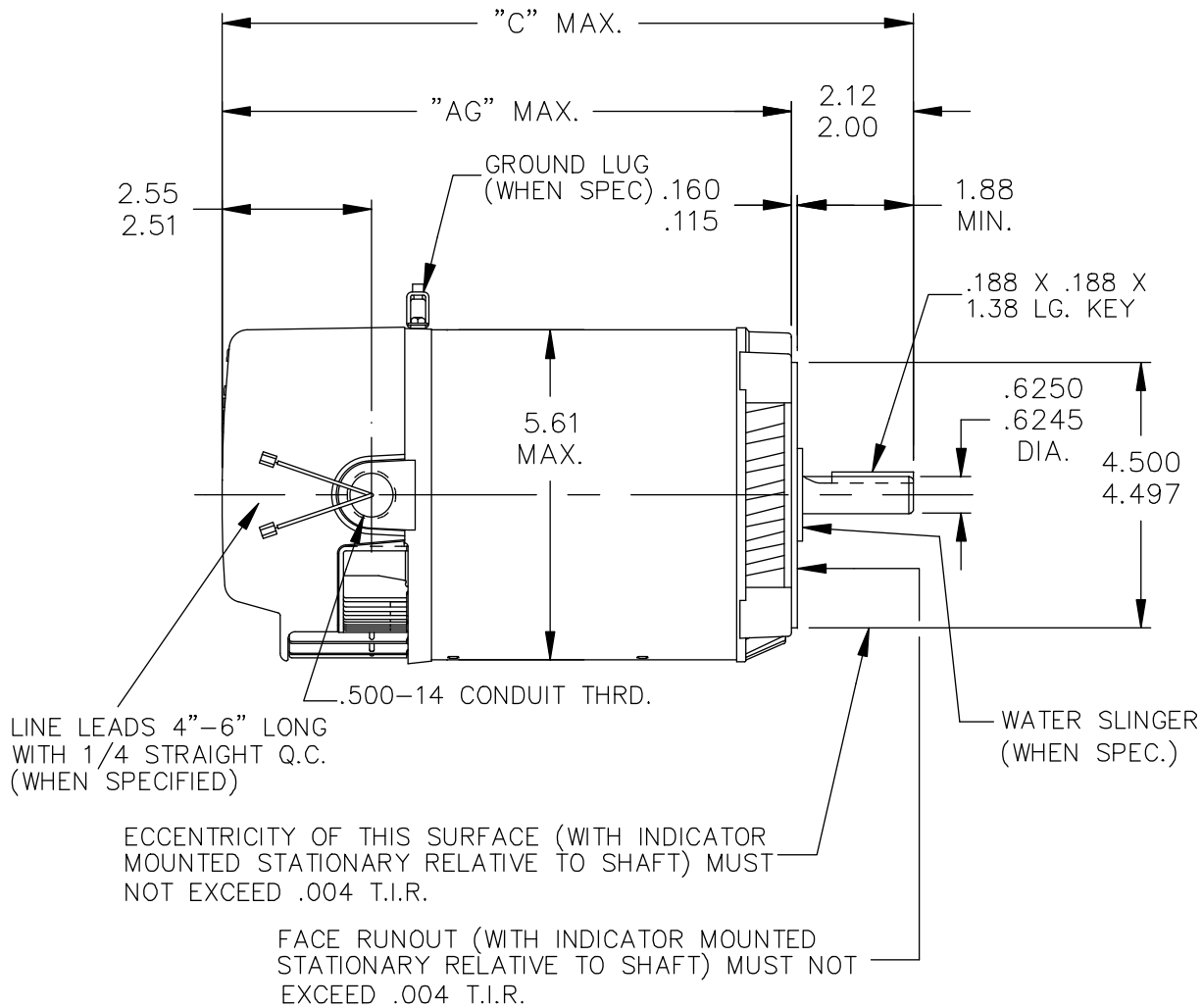
## Nameplate Specifications

Output HP	<b>0.5 Hp</b>	Output KW	<b>0.37 kW</b>
Frequency	<b>60 Hz</b>	Voltage	<b>115/230 V</b>
Current	<b>8.2,4.1 A</b>	Speed	<b>3450 rpm</b>
Service Factor	<b>1.6</b>	Phases	<b>1</b>
Efficiency	<b>62.6 %</b>	Duty	<b>CONT</b>
Insulation Class	<b>B</b>	KVA Code	<b>V</b>
Frame	<b>56C</b>	Enclosure	<b>DP</b>
Overload Protector	<b>AUTO</b>	Ambient Temperature	<b>50 °C</b>
Drive End Bearing Size	<b>6203</b>	Opp Drive End Bearing Size	<b>6203</b>
UL	<b>Recognized</b>	CSA	<b>Yes</b>
CE	<b>N</b>		

## Technical Specifications

Electrical Type	<b>Capacitor start(CSIR)</b>	Starting Method	<b>SM</b>
Poles	<b>2</b>	Rotation	<b>CW</b>
Mounting	<b>RD</b>	Motor Orientation	<b>ANY</b>
Drive End Bearing	<b>LOCKED</b>	Opp Drive End Bearing	<b>BALL</b>
Frame Material	<b>Rolled Steel</b>	Overall Length	<b>11.03 in</b>
Frame Length	<b>4.43 in</b>	Shaft Diameter	<b>0.63 in</b>
Shaft Extension	<b>1.88 in</b>		

52A107160



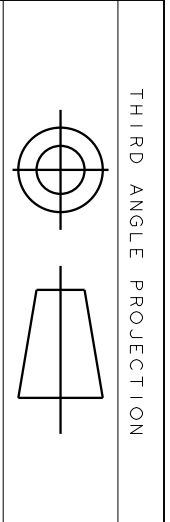
4	KC	39	56C	15.10	12.98	8.50
3	KC	39	56C	13.47	11.35	6.87
2	KC	33	56C	12.01	9.89	5.41
1	KC,KH	39	56C	11.03	8.91	4.43
P	TYPE	RBC SIZE	NEMA FR	C	AG	SHELL REF.

NO.	REVISION	BY & DATE	CHK	TOLERANCES UNLESS SPECIFIED		FINISH	3 of 4	DRAWN BJS 06/13/91
				DEC.	INCHES			
10	JET/POOL IS REPLACED BY JET PUMP PER ECO-0033464	PVR 05/15/13						CHK
9	CHG TO RBC FORMAT PER ISO5-1777	SUD 02/21/06	.X	±.1				APPD CCP 03/10/95
8	ADDED PART #4.	MDP 10/24/95	.XX	±.03				SCALE 3=8
6	REDRAWN BY 2M SOFTWARE CO.	CCP 03/10/95	.XXX	±.005				REF
5	REV'D ORIENTATION OF GROUND LUG	BLJ 11/11/91	.XXXX	±.0005				FMF
			ANG	±1/2"				PREV



REGAL-BELOIT CORPORATION

TITLE OUTLINE  
2 COMPARTMENT UPGRADE - 56C - JET PUMP

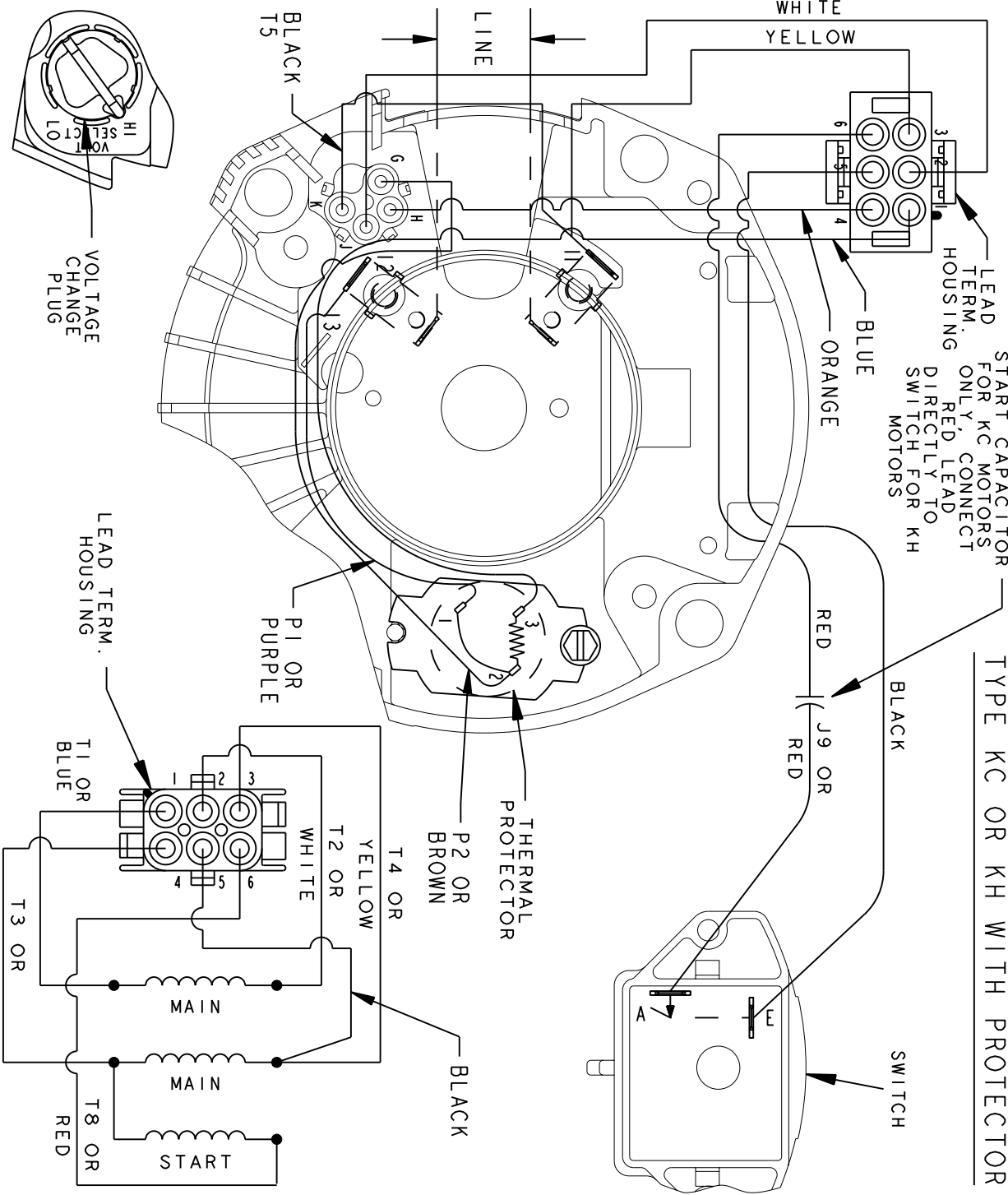


THIRD ANGLE PROJECTION

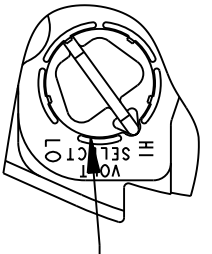
REVISIONS

REV.	DESCRIPTION	DATE	APPROVED
2	UPDATED TO RBC FORMAT	01/11/06	MAM

SET ROTATION - DUAL VOLTAGE  
TYPE KC OR KH WITH PROTECTOR



NOTE#1 - HI VOLTAGE SHOWN FOR LOW VOLTAGE  
ROTATE VOLTAGE CHANGE PLUG TO LO POSITION.



CONNECTION LABEL - 52X333027

SIGNATURES	DATE
MODEL B.L.J.	07/21/92
DETAIL	
CHECKED	
ENGRG	
MFG	
QUALITY	
ISSUED B.L.J.	07/21/92
MATERIAL	SOLID MODEL: 52A106889



REGAL-BELOLT CORPORATION

TITLE CONNECTION DIAGRAM

FMF: 2 COMPARTMENT DUAL VOLT, SET ROTATION

SIZE DRAWING A 52A106889 REV 2

SCALE: 1.000 REF. No.: SHEET 1 of 1