

PRODUCT INFORMATION PACKET

Modal No: 5KC39RN383X
Catalog No: C1157
1,3450,DP,56,1/60/115/208-230
Open Drip Proof (ODP)



Regal and Marathon are trademarks of Regal Beloit Corporation or one of its affiliated companies.
©2017 Regal Beloit Corporation, All Rights Reserved. MC017097E



Nameplate Specifications

Output HP	1 Hp	Output KW	0.75 kW
Frequency	60 Hz	Voltage	115/208-230 V
Current	13.4,6.7-6.6 A	Speed	3450 rpm
Service Factor	1.25	Phases	1
Efficiency	70 %	Duty	CONT
Insulation Class	B	KVA Code	M
Frame	56	Enclosure	DP
Overload Protector	AUTO	Ambient Temperature	40 °C
Drive End Bearing Size	6203	Opp Drive End Bearing Size	6203
UL	Recognized	CSA	Yes
CE	N		

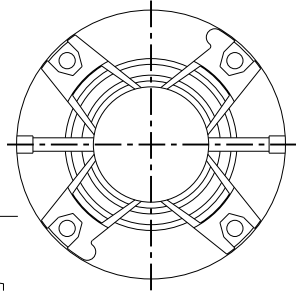
Technical Specifications

Electrical Type	Capacitor start(CSIR)	Starting Method	SM
Poles	2	Rotation	CCW/CW
Mounting	RB	Motor Orientation	ANY
Drive End Bearing	BALL	Opp Drive End Bearing	BALL
Frame Material	Rolled Steel	Overall Length	11.85 in
Frame Length	7.75 in	Shaft Diameter	0.63 in
Shaft Extension	1.88 in		

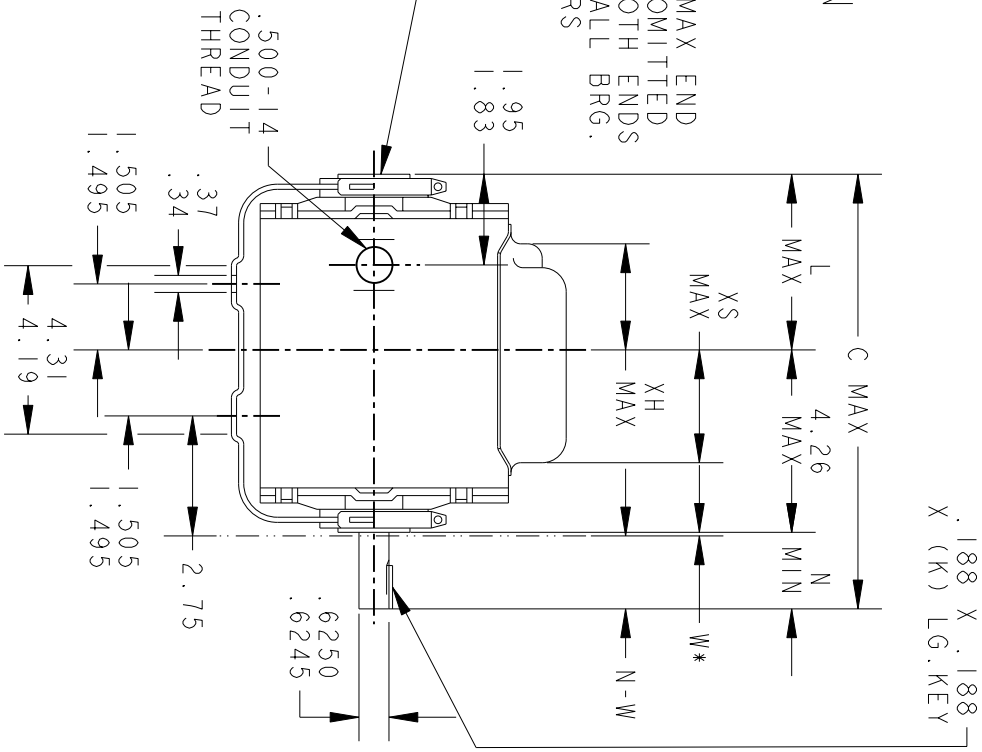
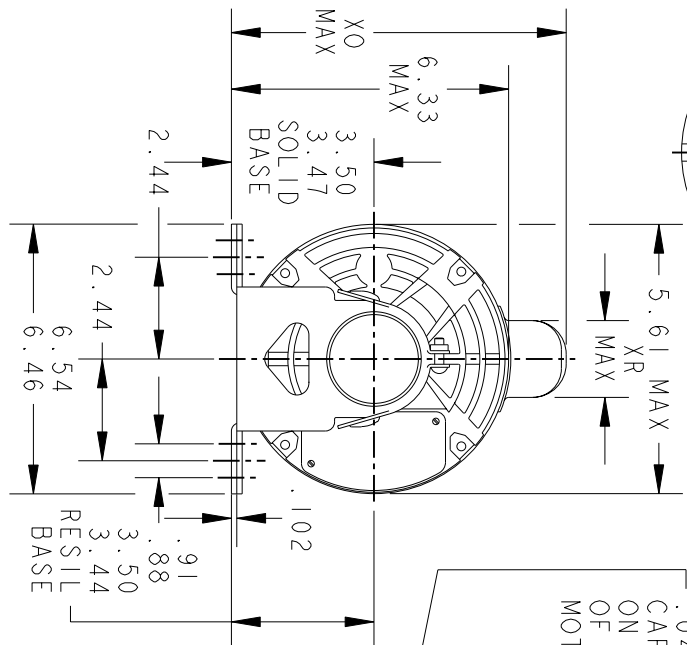
THIRD ANGLE PROJECTION



REVISIONS		REV. DESCRIPTION		DATE	APPROVED
7	REDRAWN NO CHANGE	T196-22390	07/10/96	MDP	
8	CHG TO RBC FORMAT PER ISO5-1777		12/21/2005	DURGA	



VIEW SHOWING PE VENTILATION OPENINGS



* W IS A CLEARANCE DUE TO VARIATION IN PARTS & ASSEMBLY.

PT	TYPE	GE SIZE	NEMA FR	C	K	L	N	N-W	XH	XO	XR	XS	MIN. SHELL
6	KC	37	56	10.72	1.38	4.63	1.88	2.01/1.79	3.07	8.93	2.72	2.70	
5	KC	38	56	11.69	1.38	5.23	2.25	2.38/2.16	3.65	7.81	1.60	2.12	
4	KC	39	56	11.85	1.38	5.76	1.88	2.01/1.79	4.18	7.81	1.60	1.59	7.75
3	KC	39	56	11.85	1.38	5.76	1.88	2.01/1.79	4.03	8.43	2.22	1.34	7.75
2	KC	39	56	11.85	1.38	5.76	1.88	2.01/1.79	4.03	8.93	2.72	1.34	7.75
1	KC	36	56	10.32	1.38	4.23	1.88	2.01/1.79	2.50	8.43	2.22	2.87	

SIGNATURES		DATE	
MODEL			
DETAIL	JPK	03/31/76	
CHECKED			
ENGRG			
MFG			
QUALITY			
ISSUED	MDP	07/10/96	
MATERIAL	SOLID MODEL: 52A101941		



REGAL-BELOTT CORPORATION

TITLE OUTLINE

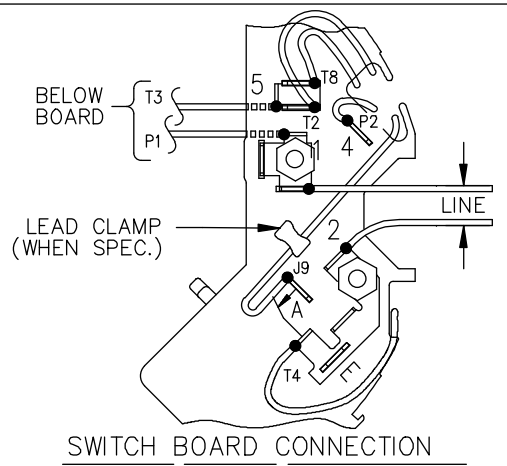
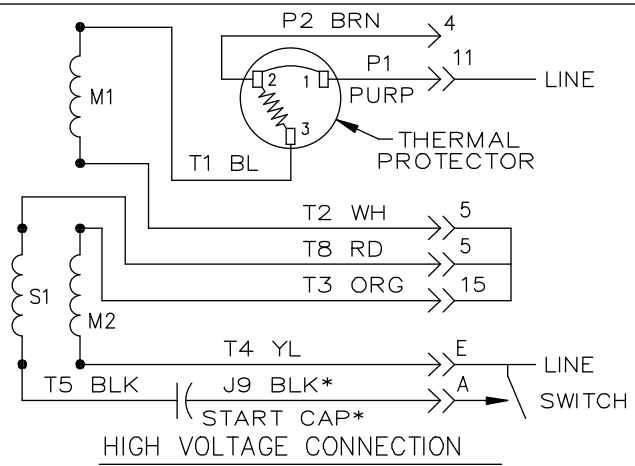
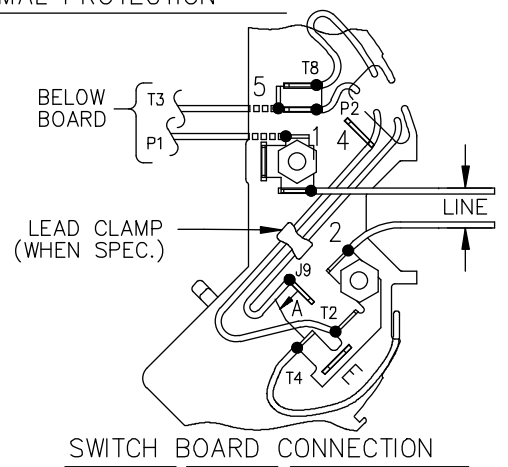
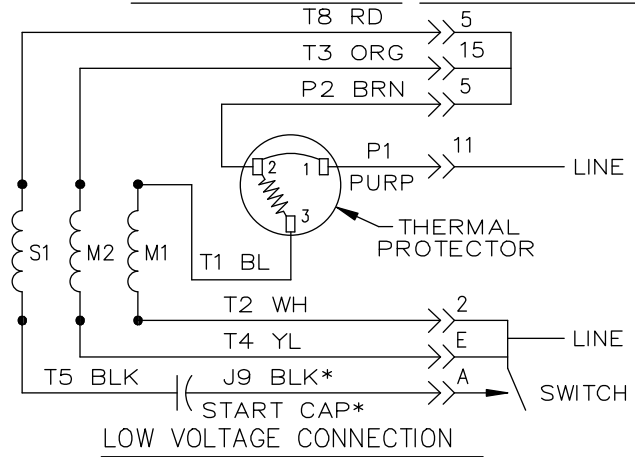
FORM N-GENERAL PURPOSE MOTOR-DRIP PROOF-SOLID OR RESIL BASE-BALL OR SLEEVE BEARING

SIZE DRAWING A 52A101941 REV 8

SCALE: 1.000 REF. No.: SHEET 1 of 1

52A105383AA

EITHER ROTATION, DUAL VOLTAGE, TYPE KC OR KH, WITH THERMAL PROTECTION



NOTE #1 - START CAP & J9 WHEN SPECIFIED (*). IF NO CAPACITOR (KH), CONNECT T5 DIRECTLY TO SWITCH (A). WHEN MORE THAN ONE CAPACITOR IS USED, CONNECT IN PARALLEL.

NOTE #2 - TO REVERSE ROTATION, INTER CHANGE RD(T8) AND BLK(J9-KC OR T5-KH) LEADS.

SWITCH REF. - 115D958AB	CONNECTION LABEL	CCW ROTATION: NP52X332051AA
		CW ROTATION: NP52X332051AC

NO.	REVISION	BY & DATE	CHK	TOLERANCES UNLESS SPECIFIED		TITLE	DRAWN M.D.P 06/29/87
				DEC.	INCHES		
				.X	±0.1	REGAL-BELOIT CORPORATION REGAL-BELOIT CORPORATION	CHK
				.XX	±0.02		APPD M.D.P 03/26/96
5	ADDED CONNECTION LABEL PER ECO-0030779	UD 02/06/13	PKG	.XXX	±0.005	CONNECTION DIAGRAM	SCALE 1=1
4	UPDATED PER ISO7-0150	MD 01/23/07		.XXXX	±0.0005	30 FRAME SWITCH REDESIGN	REF
				ANG	±1.0	MAT'L.	FMF
						FINISH	PREV