

# PRODUCT INFORMATION PACKET

Modal No: 5KC39SN2890X  
Catalog No: C1464  
1,3450,DP,1/60/115/230  
Jet Pump



Regal and Marathon are trademarks of Regal Beloit Corporation or one of its affiliated companies.  
©2017 Regal Beloit Corporation, All Rights Reserved. MC017097E



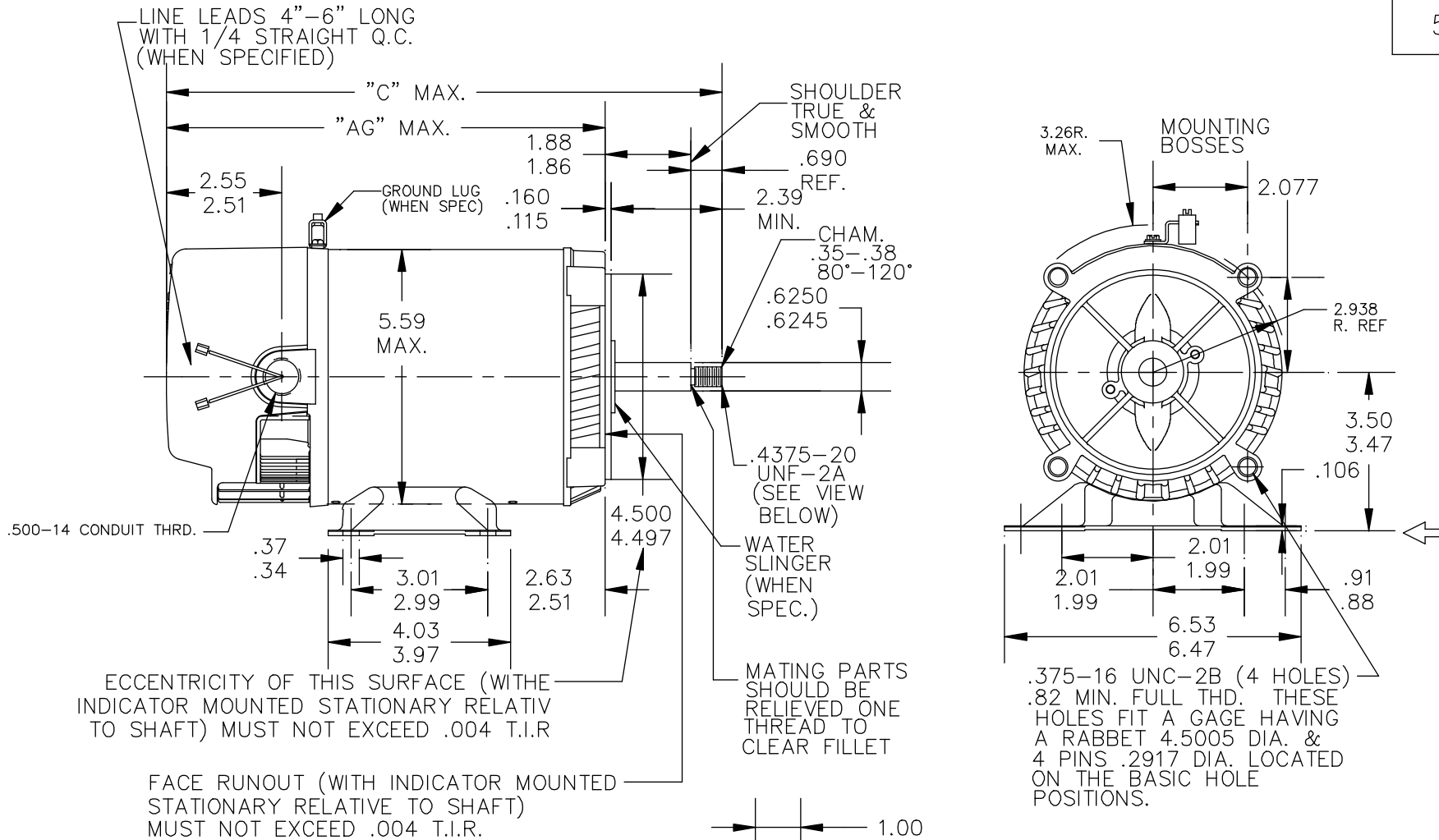
## Nameplate Specifications

Output HP	<b>1 Hp</b>	Output KW	<b>0.75 kW</b>
Frequency	<b>60 Hz</b>	Voltage	<b>115/230 V</b>
Current	<b>14.2,7.1 A</b>	Speed	<b>3450 rpm</b>
Service Factor	<b>1.4</b>	Phases	<b>1</b>
Efficiency	<b>72 %</b>	Duty	<b>CONT</b>
Insulation Class	<b>B</b>	KVA Code	<b>J</b>
Frame	<b>56J</b>	Enclosure	<b>DP</b>
Overload Protector	<b>AUTO</b>	Ambient Temperature	<b>50 °C</b>
Drive End Bearing Size	<b>6204</b>	Opp Drive End Bearing Size	<b>6203</b>
UL	<b>Recognized</b>	CSA	<b>Yes</b>
CE	<b>N</b>		

## Technical Specifications

Electrical Type	<b>Capacitor start(CSIR)</b>	Starting Method	<b>SM</b>
Poles	<b>2</b>	Rotation	<b>CW</b>
Mounting	<b>WB</b>	Motor Orientation	<b>ANY</b>
Drive End Bearing	<b>LOCKED</b>	Opp Drive End Bearing	<b>BALL</b>
Frame Material	<b>Rolled Steel</b>	Overall Length	<b>13.98 in</b>
Frame Length	<b>6.87 in</b>	Shaft Diameter	<b>0.63 in</b>
Shaft Extension	<b>2.39 in</b>		

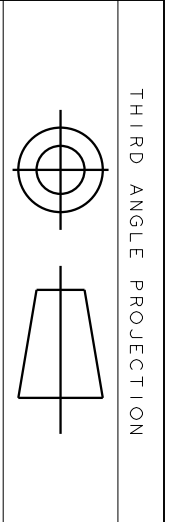
52A109357



3	KC	39	56J	13.98	11.35		6.87
2	KC	33	56J	12.52	9.89		5.41
1	KC,KH	39	56J	11.54	8.91		4.43
P	TYPE	RBC SIZE	NEMA FR	C	AG		SHELL REF.

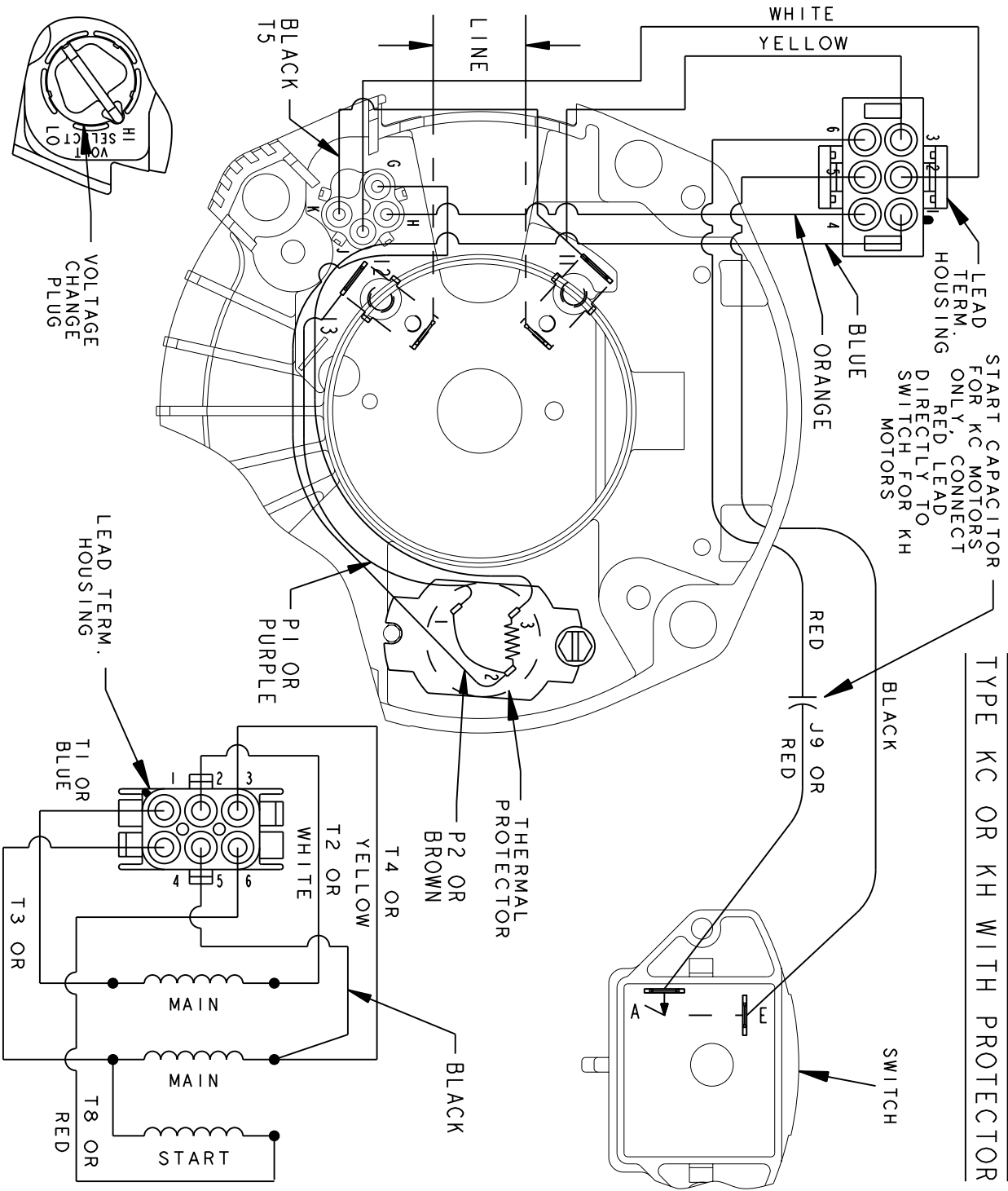
				TOLERANCES UNLESS SPECIFIED		DRAWN M M 11/08/93					
				DEC.	INCHES	CHK					
				.X	±0.1	APPD M.A.M. 11/08/93					
3	JET/POOL IS REPLACED BY JET PUMP PER ECO-0033464			PVR	05/16/13	DS	.XX ±0.02	TITLE	OUTLINE	SCALE	1=1
2	REDRAWN IN DRAFTSIGHT NO CHANGES			GR	10/16/12	PKG	.XXX ±0.005	56J - JET PUMP - WELD BASE		REF	
1	CHG TO RBC FORMAT PER ISO5-1777			SD	03/13/06		.XXXX ±0.0005	MAT'L.		FMF	
NO.	REVISION			BY & DATE	CHK	ANG	±1.0	FINISH	3 of 4	PREV	



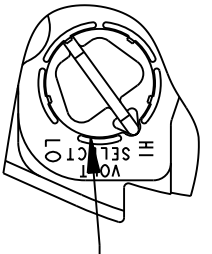


REV.	DESCRIPTION	DATE	APPROVED
2	UPDATED TO RBC FORMAT	01/11/06	MAM

SET ROTATION - DUAL VOLTAGE  
TYPE KC OR KH WITH PROTECTOR



NOTE#1 - HI VOLTAGE SHOWN FOR LOW VOLTAGE  
ROTATE VOLTAGE CHANGE PLUG TO LO POSITION.



CONNECTION LABEL - 52X333027

SIGNATURES	DATE
MODEL B.L.J.	07/21/92
DETAIL	
CHECKED	
ENGRG	
MFG	
QUALITY	
ISSUED	B.L.J. 07/21/92
MATERIAL	SOLID MODEL: 52A106889



REGAL-BELOLT CORPORATION

REGAL-BELOLT CONNECTION DIAGRAM

TITLE

SIZE: DRAWING A

SCALE: 1.000 REF. No.:

FME: 2 COMPARTMENT DUAL VOLT, SET ROTATION

52A106889

REV 2