

# PRODUCT INFORMATION PACKET

Modal No: 5KC42GN0309X  
Catalog No: C289  
1/2, 1725, TEFC, 56, 1/60/115/230  
Totally Enclosed Fan Cooled (TEFC)



Regal and Marathon are trademarks of Regal Beloit Corporation or one of its affiliated companies.  
©2017 Regal Beloit Corporation, All Rights Reserved. MC017097E



## Nameplate Specifications

Output HP	<b>0.5 Hp</b>	Output KW	<b>0.37 kW</b>
Frequency	<b>60 Hz</b>	Voltage	<b>115/230 V</b>
Current	<b>8.6,4.3 A</b>	Speed	<b>1725 rpm</b>
Service Factor	<b>1.15</b>	Phases	<b>1</b>
Efficiency	<b>64.9 %</b>	Duty	<b>CONT</b>
Insulation Class	<b>B</b>	Design Code	<b>-</b>
KVA Code	<b>M</b>	Frame	<b>56</b>
Enclosure	<b>TEFC</b>	Overload Protector	<b>AUTO</b>
Ambient Temperature	<b>40 °C</b>	Drive End Bearing Size	<b>6203</b>
Opp Drive End Bearing Size	<b>6203</b>	UL	<b>Recognized</b>
CSA	<b>Yes</b>	CE	<b>N</b>

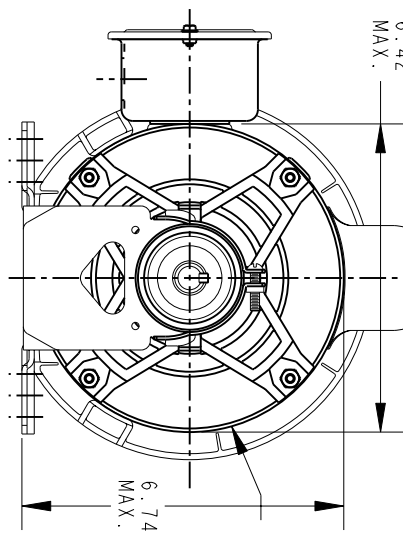
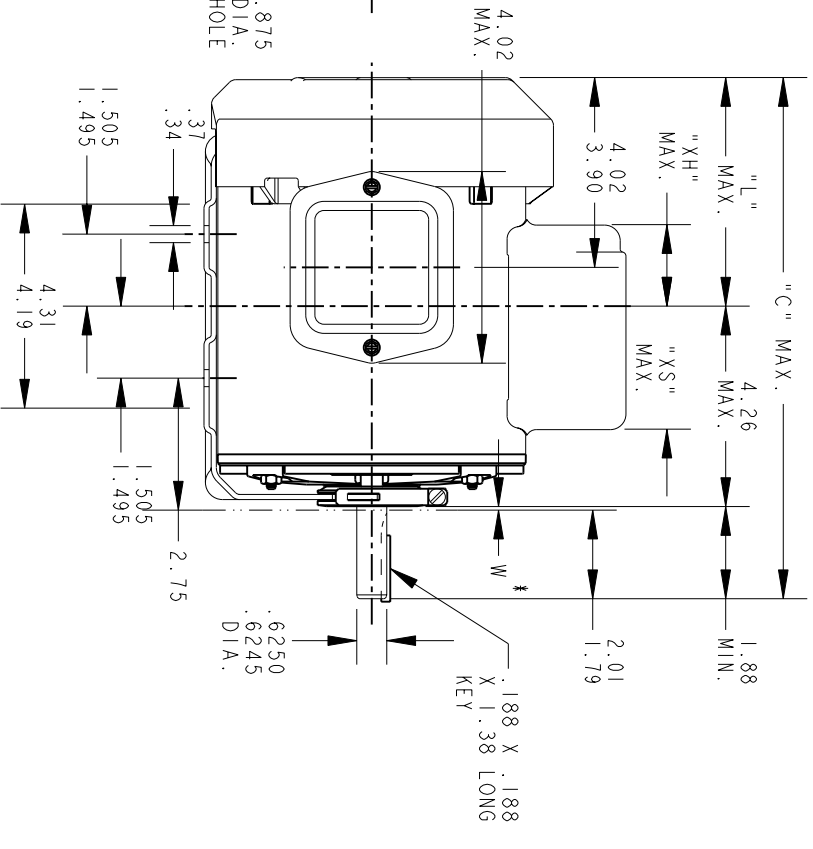
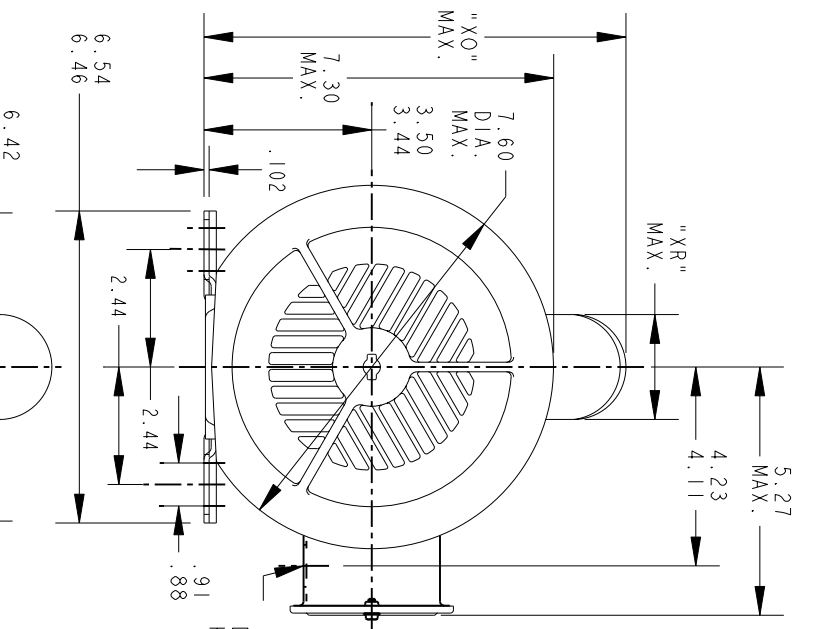
## Technical Specifications

Electrical Type	<b>Capacitor start(CSIR)</b>	Starting Method	<b>SM</b>
Poles	<b>4</b>	Rotation	<b>CCW/CW</b>
Mounting	<b>RB</b>	Motor Orientation	<b>ANY</b>
Drive End Bearing	<b>BALL</b>	Opp Drive End Bearing	<b>BALL</b>
Frame Material	<b>Rolled Steel</b>	Overall Length	<b>11 in</b>
Frame Length	<b>5.72 in</b>	Shaft Diameter	<b>0.63 in</b>
Shaft Extension	<b>1.88 in</b>		

THIRD ANGLE PROJECTION



REVISIONS		DESCRIPTION	DATE	APPROVED
REV.	10	UPDATED DIMENSIONS FOR PART #3.	05/16/94	M.D. PAPE
	11	CHG TO RBC FORMAT PER IS05-1777	02/28/06	SUDHA



VIEW OF P.E. END SHIELD  
 \* W IS A VARIABLE CLEARANCE DUE TO VARIATIONS IN PARTS AND ASSEMBLY

4	3	2	1	P
KC	KC	KC	KC	TYPE
49	49	46	42	GE SIZE
56	56	56	56	NEMA FR.
12.54	13.07	11.83	11.00	"C"
6.28	6.81	5.68	4.85	"L"
3.52	3.58	2.44	2.08	"XH"
8.60	8.95	8.84	8.84	"XO"
2.40	2.40	2.22	2.22	"XR"
2.22	2.23	2.10	2.46	"XS"
7.15	7.68	6.55	5.72	MIN. SHELL

ALL DIMENSIONS ARE IN INCHES

SIGNATURES		DATE
MODEL	M.D. PAPE	09/26/90
DETAIL		
CHECKED		
ENGRG		
MFG		
QUALITY		
ISSUED	M.D. PAPE	05/06/94

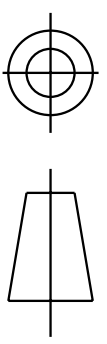
**REGAL-BELOIT CORPORATION**

**OUTLINE**

**GENERAL PURPOSE MOTOR TEFC - BALL BEARING - RESILIENT BASE FMF - 40 FRAME REDESIGN (SKC42GN005X)**

FOR ADDITIONAL INFO REFER TO:	APPLIED PRACTICES	DIMENSIONS ARE IN INCHES
MATERIAL	SOLID MODEL: 52A107624	

TITLE	SCALE: 0.250	REF. No.:
SIZE	A	
REV	11	SHEET 1 of 1



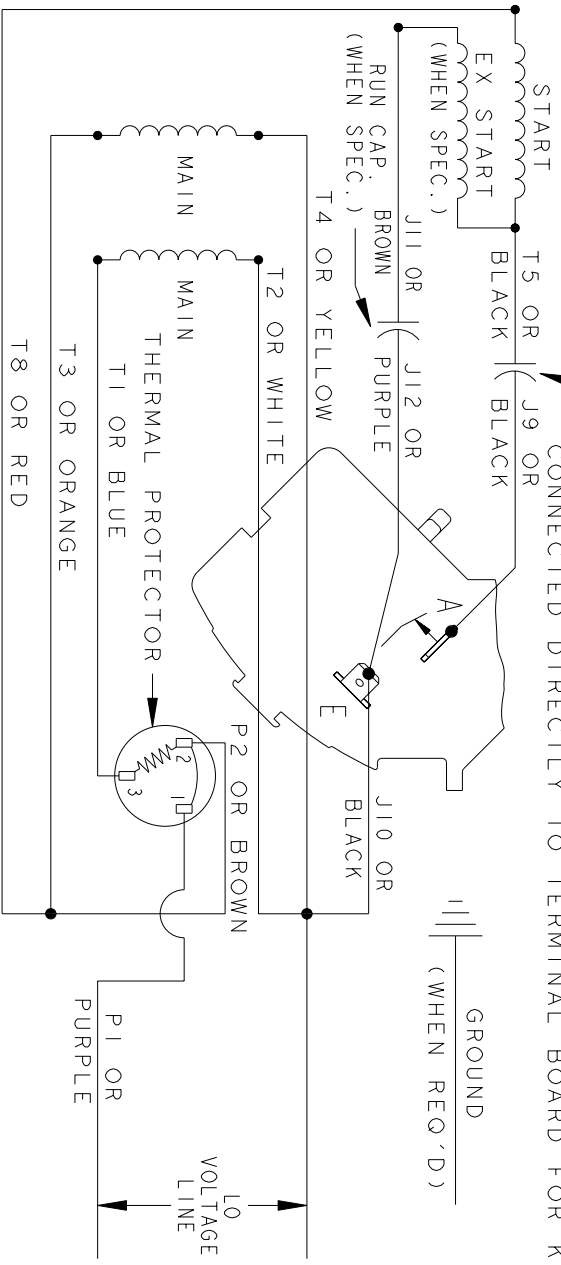
THIRD ANGLE PROJECTION

REVISIONS

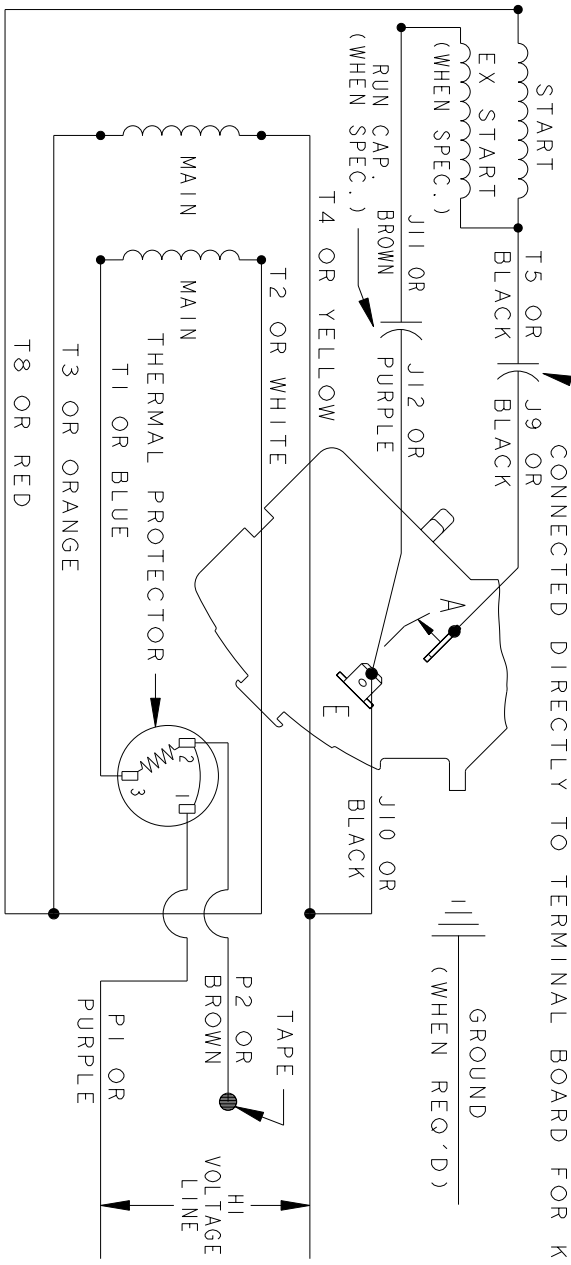
REV.	DESCRIPTION	DATE	APPROVED
7	UPDATED FORMAT	01/05/06	MAM

CCW/CW ROTATION - DUAL VOLTAGE  
 TYPE KC, KH OR KCR - WITH THERMAL PROTECTOR

CAPACITOR AS SHOWN FOR KC MOTORS ONLY. LEAD T5 BLACK CONNECTED DIRECTLY TO TERMINAL BOARD FOR KH MOTORS.



CAPACITOR AS SHOWN FOR KC MOTORS ONLY. LEAD T5 BLACK CONNECTED DIRECTLY TO TERMINAL BOARD FOR KH MOTORS.



NOTE#1 - TO REVERSE ROTATION, INTERCHANGE T8 RED AND J10 BLACK LEADS.  
 NOTE#2 - WHEN MORE THAN ONE CAPACITOR IS USED, CONNECT IN PARALLEL.  
 NOTE#3 - 115D958ABP5 - HIGH CURRENT CONTACTS.

SWITCH (C) - 115D958ABP5, SWITCH (H) - 115D958AA (USE 115D958DA FOR EP)

REF. DIAG. - 113A327, 119A9352 & 52A102102 CONNECTION LABEL - 52X332912

SIGNATURES		DATE
MODEL	M.D.P.	06/29/87
DETAIL		
CHECKED		
ENGRG		
MFG		
QUALITY		
ISSUED	M.D.P.	12/11/97
FOR ADDITIONAL INFO REFER TO:		
APPLIED PRACTICES		
DIMENSIONS ARE IN INCHES		
MATERIAL	SOLID MODEL: 52A105383BA	



REGAL-BELOLT CORPORATION

TITLE CONNECTION DIAGRAM

FME: 30 FRAME SWITCH REDESIGN

52A105383BA

SIZE DRAWING	A	SCALE: 1.000	REF. No.:		SHEET 1 of 1
--------------	---	--------------	-----------	--	--------------