

PRODUCT INFORMATION PACKET

Modal No: 5KC46GN0075U
Catalog No: C1291
1/3,1725/1425,TEFC,56NY,1/60/115/208-230
Auger Drive



Regal and Marathon are trademarks of Regal Beloit Corporation or one of its affiliated companies.
©2017 Regal Beloit Corporation, All Rights Reserved. MC017097E



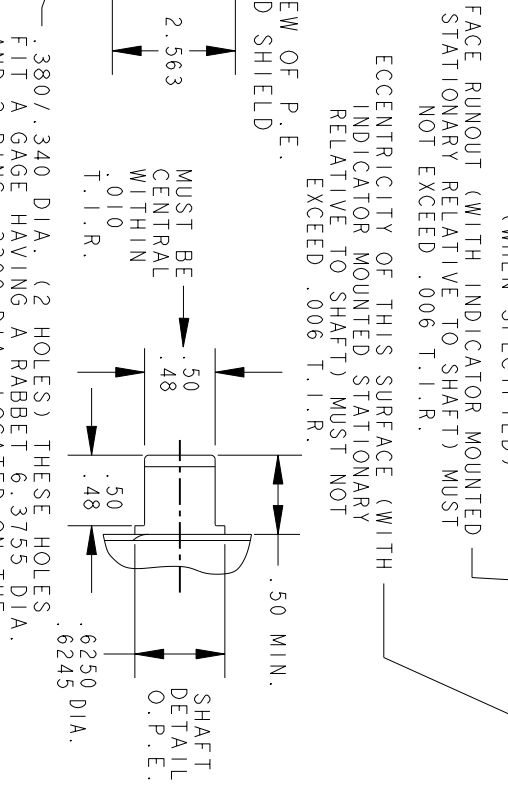
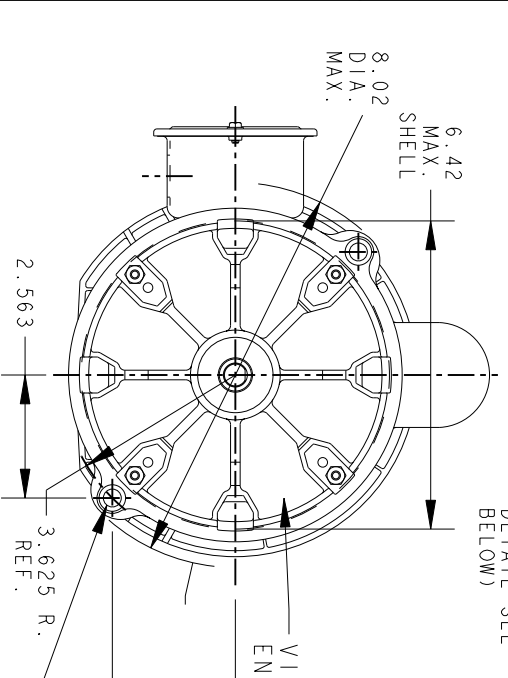
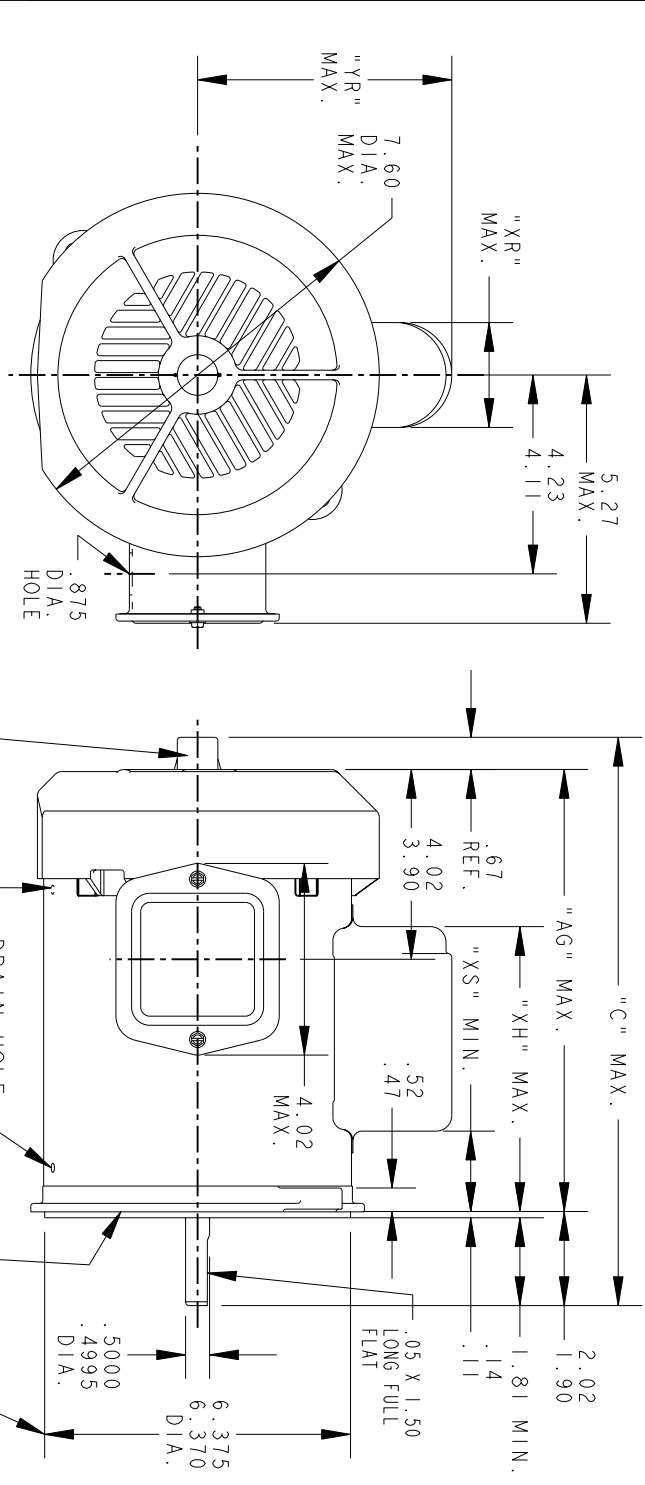
Nameplate Specifications

Output HP	0.33 Hp	Output KW	0.25 kW
Frequency	60 Hz	Voltage	115/208-230 V
Current	5.8,2.8-2.9 A	Speed	1725 rpm
Service Factor	1	Phases	1
Efficiency	62 %	Duty	CONT
Insulation Class	B	KVA Code	K
Frame	56NY	Enclosure	TEFC
Overload Protector	MAN	Ambient Temperature	40 °C
Drive End Bearing Size	6203	Opp Drive End Bearing Size	6203
UL	Recognized	CSA	Yes
CE	N		

Technical Specifications

Electrical Type	Capacitor start(CSIR)	Starting Method	SM
Poles	4	Rotation	CCW/CW
Mounting	RD	Motor Orientation	ANY
Drive End Bearing	BALL	Opp Drive End Bearing	BALL
Frame Material	Rolled Steel	Overall Length	12 in
Frame Length	6.55 in	Shaft Diameter	0.5 in
Shaft Extension	1.81 in		

REVISIONS		DATE	APPROVED
REV.	DESCRIPTION		
5	CHG TO RBC FORMAT PER ISO5-1777	03/02/06	SUDHA



ALL DIMENSIONS ARE IN INCHES

P	TYPE	GE SIZE	NEMA FR.	"C"	"AG"	"XH"	"YR"	"XR"	"XS"	MIN. SHELL
3	KC	49	56NY	13.13	10.42	7.21	5.44	2.40	1.46	7.68
2	KC	46	56NY	12.00	9.29	6.08	4.72	1.60	1.54	6.55
1	KC	46	56NY	12.00	9.29	6.08	5.34	2.22	1.54	6.55

SIGNATURES		DATE
MODEL	M.D. PAPER	11/20/91
DETAIL		
CHECKED		
ENGRG		
MFG		
QUALITY		
ISSUED	M.D. PAPER	03/16/98
SOLID MODEL:	52A107766	

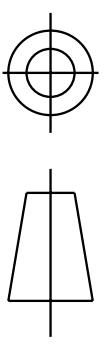
REGAL-BELOIT CORPORATION

TITLE: **SPECIAL PURPOSE MOTOR TEFC - BALL BEARING 2 LUG FLANGE FMF - 5KC46JN0076U**

SCALE: 0.250 REF. No.: .

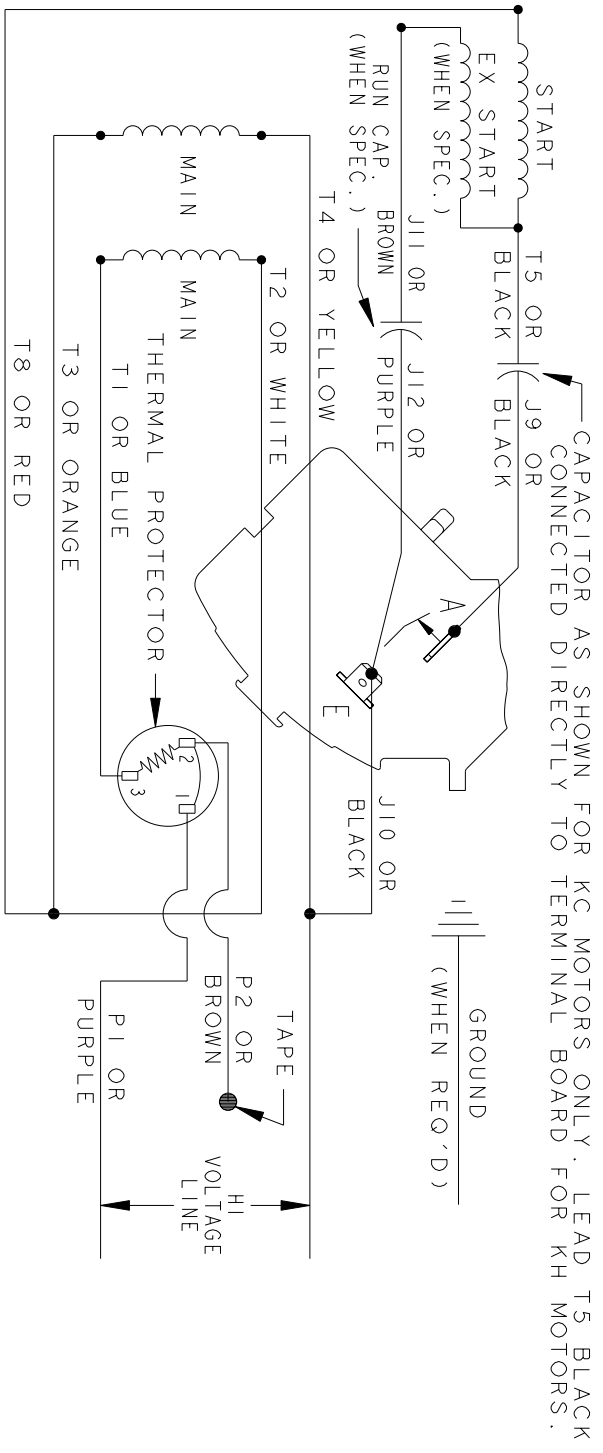
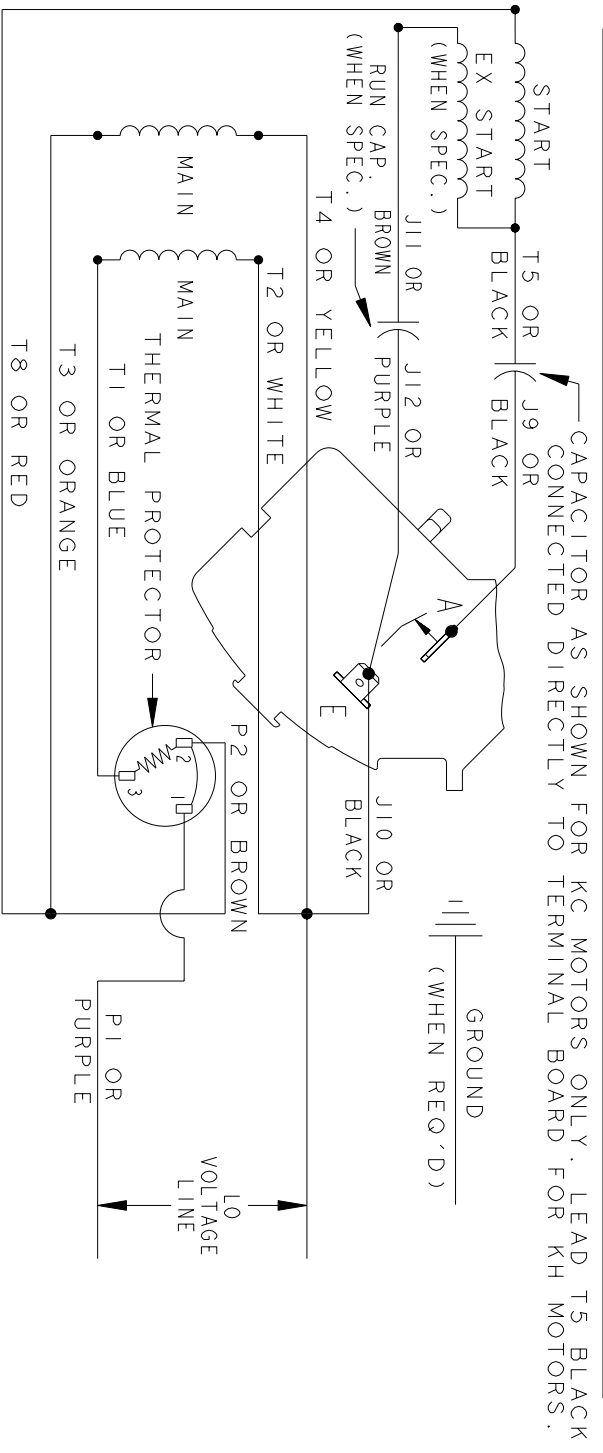
SIZE DRAWING: **A**

REV: **5**



REV.	DESCRIPTION	DATE	APPROVED
7	UPDATED FORMAT	01/05/06	MAM

CCW/CW ROTATION - DUAL VOLTAGE
TYPE KC, KH OR KCR - WITH THERMAL PROTECTOR



NOTE#1 - TO REVERSE ROTATION, INTERCHANGE T8 RED AND J10 BLACK LEADS.
NOTE#2 - WHEN MORE THAN ONE CAPACITOR IS USED, CONNECT IN PARALLEL.
NOTE#3 - 115D958ABP5 - HIGH CURRENT CONTACTS.

SWITCH (C) - 115D958ABP5, SWITCH (H) - 115D958AA (USE 115D958DA FOR EP)

REF. DIAG. - 113A327, 119A9352 & 52A102102 CONNECTION LABEL - 52X332912

SIGNATURES		DATE	TITLE	
MODEL	M.D.P.	06/29/87	<p>REGAL-BELOIT CORPORATION</p> <p>CONNECTION DIAGRAM</p>	
DETAIL				
CHECKED				
ENGRG				
FOR ADDITIONAL INFO REFER TO:			<p>FME: 30 FRAME SWITCH REDESIGN</p>	
APPLIED PRACTICES	QUALITY		SIZE DRAWING	REV
DIMENSIONS ARE IN INCHES	ISSUED	M.D.P.	A	7
MATERIAL	SOLID MODEL: 52A105383BA	12/11/97	SCALE: 1.000	REF. No.:
				SHEET 1 of 1