

PRODUCT INFORMATION PACKET

Modal No: 5KC46LN0149X
Catalog No: C1156
3/4,1725,DP,56,1/60/115/208-230
Open Drip Proof (ODP)



Regal and Marathon are trademarks of Regal Beloit Corporation or one of its affiliated companies.
©2017 Regal Beloit Corporation, All Rights Reserved. MC017097E

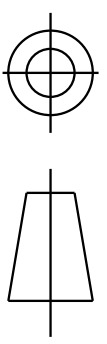


Nameplate Specifications

Output HP	0.75 Hp	Output KW	0.56 kW
Frequency	60 Hz	Voltage	115/208-230 V
Current	13.3,6.5-6.6 A	Speed	1725 rpm
Service Factor	1.25	Phases	1
Efficiency	70 %	Duty	CONT
Insulation Class	B	KVA Code	L
Frame	56	Enclosure	DP
Overload Protector	AUTO	Ambient Temperature	40 °C
Drive End Bearing Size	6203	Opp Drive End Bearing Size	6203
UL	Recognized	CSA	Yes
CE	N		

Technical Specifications

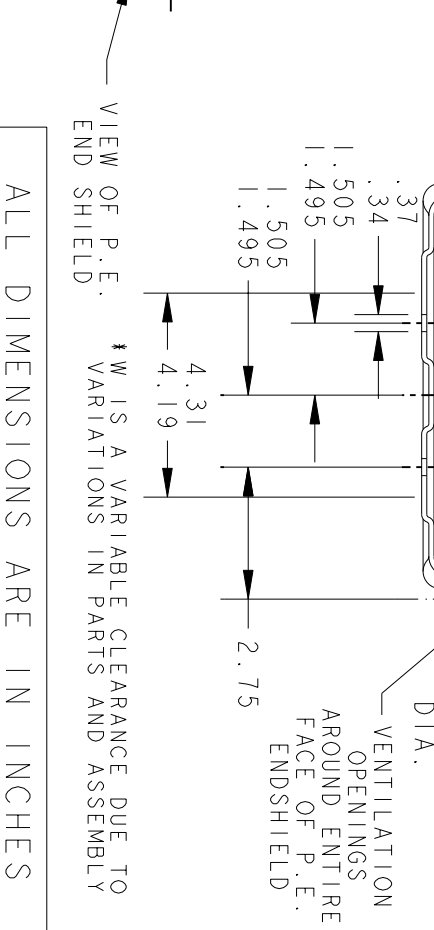
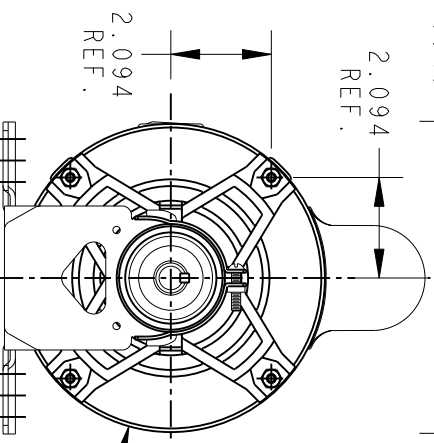
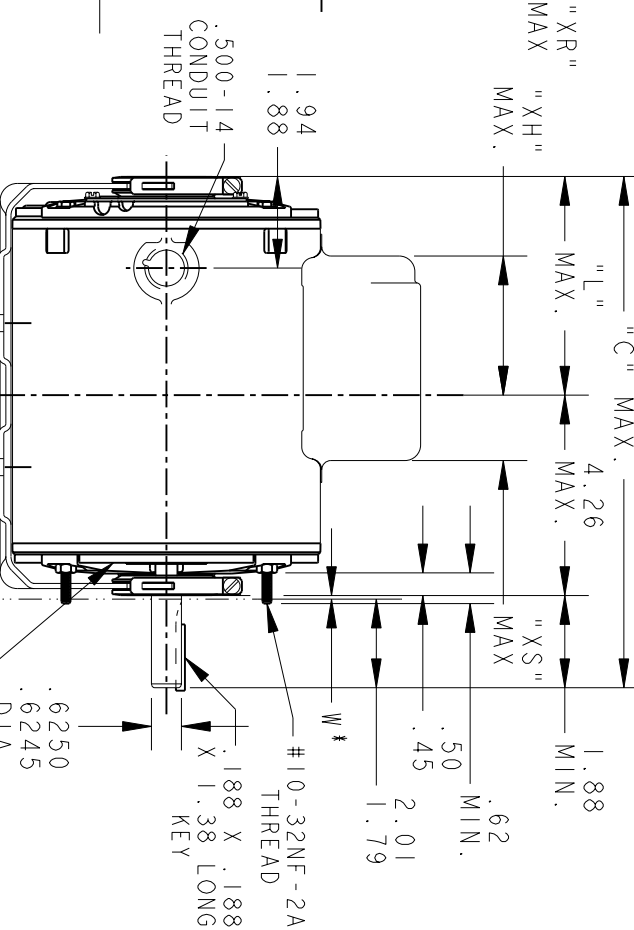
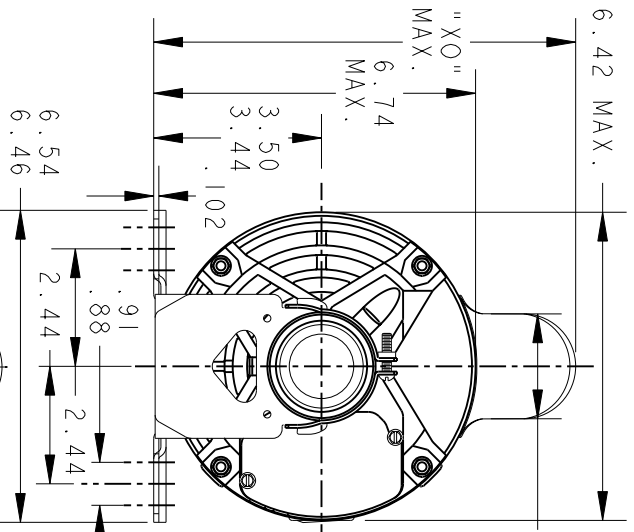
Electrical Type	Capacitor start(CSIR)	Starting Method	SM
Poles	4	Rotation	CCW/CW
Mounting	RB	Motor Orientation	ANY
Drive End Bearing	BALL	Opp Drive End Bearing	BALL
Frame Material	Rolled Steel	Overall Length	10.78 in
Frame Length	6.55 in	Shaft Diameter	0.63 in
Shaft Extension	1.88 in		



REV.	DESCRIPTION	DATE	APPROVED
7	UPDATED PT# 10 PER ISAAC 06-0996	05/17/06	PRAVEEN.K

52A107737 7

SIZE A DRAWING NO.



ALL DIMENSIONS ARE IN INCHES

10	9	8	7	6	5	4	3	2	1	P
KC	KC	KC	KC	KC	KC	KC	KC	KC	KC	TYPE
49	48	46	49	49	46	42	49	42	46	GE SIZE
10.38	12.66	10.78	10.38	11.38	10.78	9.95	11.38	9.95	10.78	NEMA FR.
4.22	6.50	4.62	4.22	5.22	4.62	3.79	5.22	3.79	4.62	"C"
2.72	3.40	2.44	2.63	3.63	3.03	2.20	3.63	2.20	3.03	"L"
8.84	8.22	8.84	8.22	8.22	8.22	1.60	8.22	1.60	8.84	"XH"
2.22	1.60	2.22	1.60	1.60	1.60	2.34	2.40	2.12	2.22	"XO"
2.72	2.29	2.10	1.91	2.12	1.51	5.72	7.15	5.72	6.55	"XR"
6.15	8.43	6.55	6.15	7.15	6.55	5.72	7.15	5.72	6.55	"XS"
										MIN. SHELL

SIGNATURES		DATE
MODEL	M.D.PAPE	10/10/91
DETAIL		
CHECKED		
ENGRG		
FOR ADDITIONAL INFO REFER TO:		
APPLIED PRACTICES	QUALITY	
DIMENSIONS ARE IN INCHES	ISSUED	M.D.PAPE 05/17/99
MATERIAL	SOLID MODEL:	52A107737



REGAL-BELOTT CORPORATION

TITLE OUTLINE

GENERAL PURPOSE MOTOR DRIP PROOF - BALL BEARING
RESILIENT BASE EXTENDED CLAMP SCREWS FWF - 40 FRAME REDESIGN (SKC426N0022X)

SIZE DRAWING A
SCALE: 0.250 REF. No.:
52A107737 REV 7

SHEET 1 of 1

