

PRODUCT INFORMATION PACKET

Modal No: 5KC49GN0001
Catalog No: B1316
1/2, 1725, DP, 56, 1/60/115/208-230
Open Drip Proof (ODP)



Regal and Marathon are trademarks of Regal Beloit Corporation or one of its affiliated companies.
©2017 Regal Beloit Corporation, All Rights Reserved. MC017097E

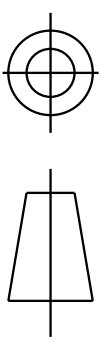


Nameplate Specifications

Output HP	0.5 Hp	Output KW	0.37 kW
Frequency	60 Hz	Voltage	115/208-230 V
Current	8.8,4.2-4.4 A	Speed	1725 rpm
Service Factor	1.25	Phases	1
Efficiency	52.5 %	Duty	CONT
Insulation Class	B	KVA Code	N
Frame	56	Enclosure	DP
Overload Protector	N/R	Ambient Temperature	40 °C
Drive End Bearing Size	6203	Opp Drive End Bearing Size	6203
UL	Recognized	CSA	Yes
CE	N		

Technical Specifications

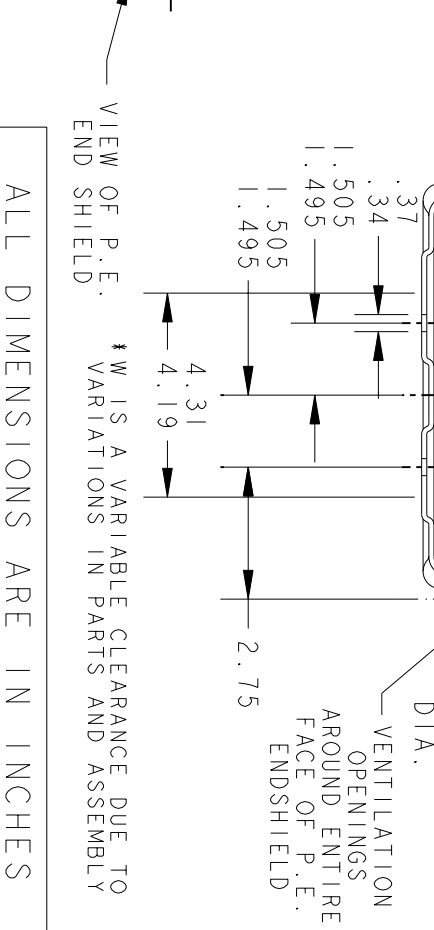
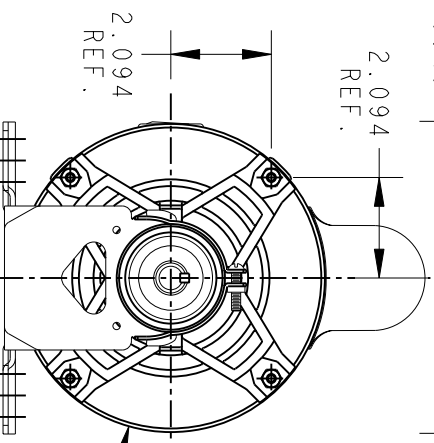
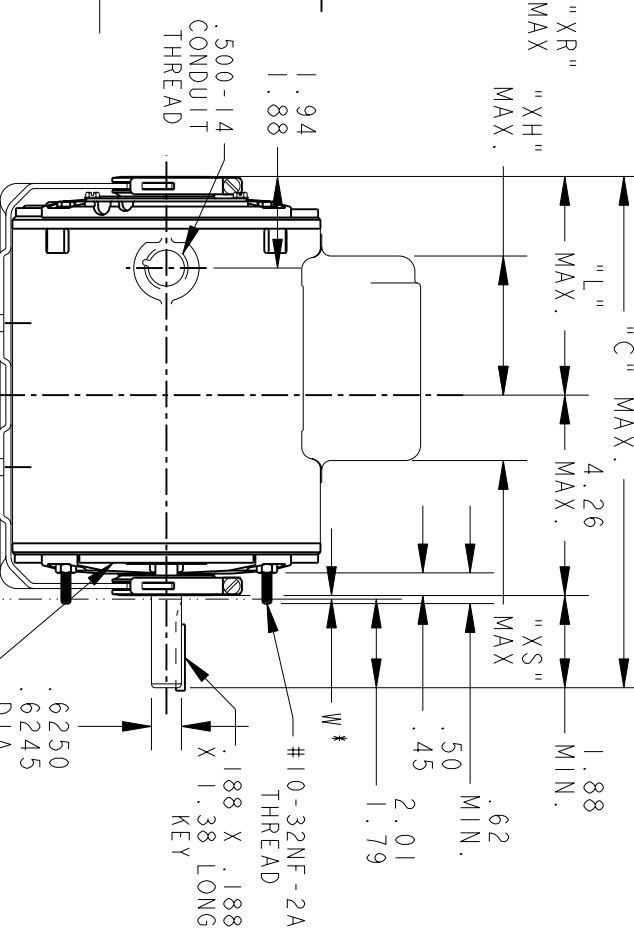
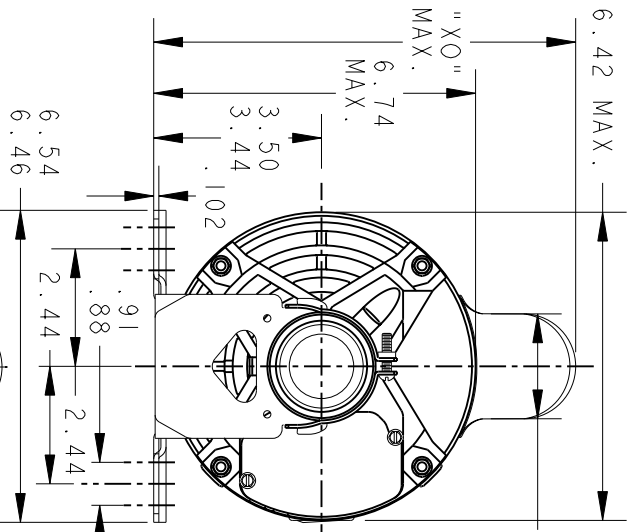
Electrical Type	Capacitor start(CSIR)	Starting Method	SM
Poles	4	Rotation	CCW/CW
Mounting	RB	Motor Orientation	ANY
Drive End Bearing	BALL	Opp Drive End Bearing	BALL
Frame Material	Rolled Steel	Overall Length	10.38 in
Frame Length	6.15 in	Shaft Diameter	0.63 in
Shaft Extension	1.88 in		



REV.	DESCRIPTION	DATE	APPROVED
7	UPDATED PT# 10 PER ISAAC 06-0996	05/17/06	PRAVEEN.K

52A107737 7

SIZE A DRAWING NO.



ALL DIMENSIONS ARE IN INCHES

10	9	8	7	6	5	4	3	2	1	P
KC	KC	KC	KC	KC	KC	KC	KC	KC	KC	TYPE
49	48	46	49	49	46	42	49	42	46	GE SIZE
10.38	12.66	10.78	10.38	11.38	10.78	9.95	11.38	9.95	10.78	NEMA FR.
4.22	6.50	4.62	4.22	5.22	4.62	3.79	5.22	3.79	4.62	"C"
2.72	3.40	2.44	2.63	3.63	3.03	2.20	3.63	2.20	3.03	"L"
8.84	8.22	8.84	8.22	8.22	8.22	1.60	8.22	1.60	8.22	"XH"
2.22	1.60	2.22	1.60	1.60	1.60	2.34	2.40	2.22	2.22	"XO"
2.72	2.29	2.10	1.91	2.12	1.51	2.34	2.12	2.34	1.51	"XR"
						5.72	7.15	5.72	6.55	"XS"
						5.72	7.15	5.72	6.55	MIN. SHELL

SIGNATURES		DATE
MODEL	M.D.PAPE	10/10/91
DETAIL		
CHECKED		
ENGRG		
FOR ADDITIONAL INFO REFER TO:		
APPLIED PRACTICES	QUALITY	
DIMENSIONS ARE IN INCHES	ISSUED	M.D.PAPE 05/17/99
MATERIAL	SOLID MODEL:	52A107737

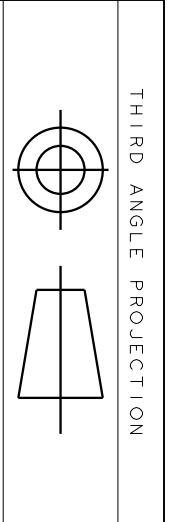


REGAL-BELOTT CORPORATION

OUTLINE

GENERAL PURPOSE MOTOR DRIP PROOF - BALL BEARING
RESILIENT BASE EXTENDED CLAMP SCREWS FINE - 40 FRAME REDESIGN (SKC426N0022X)

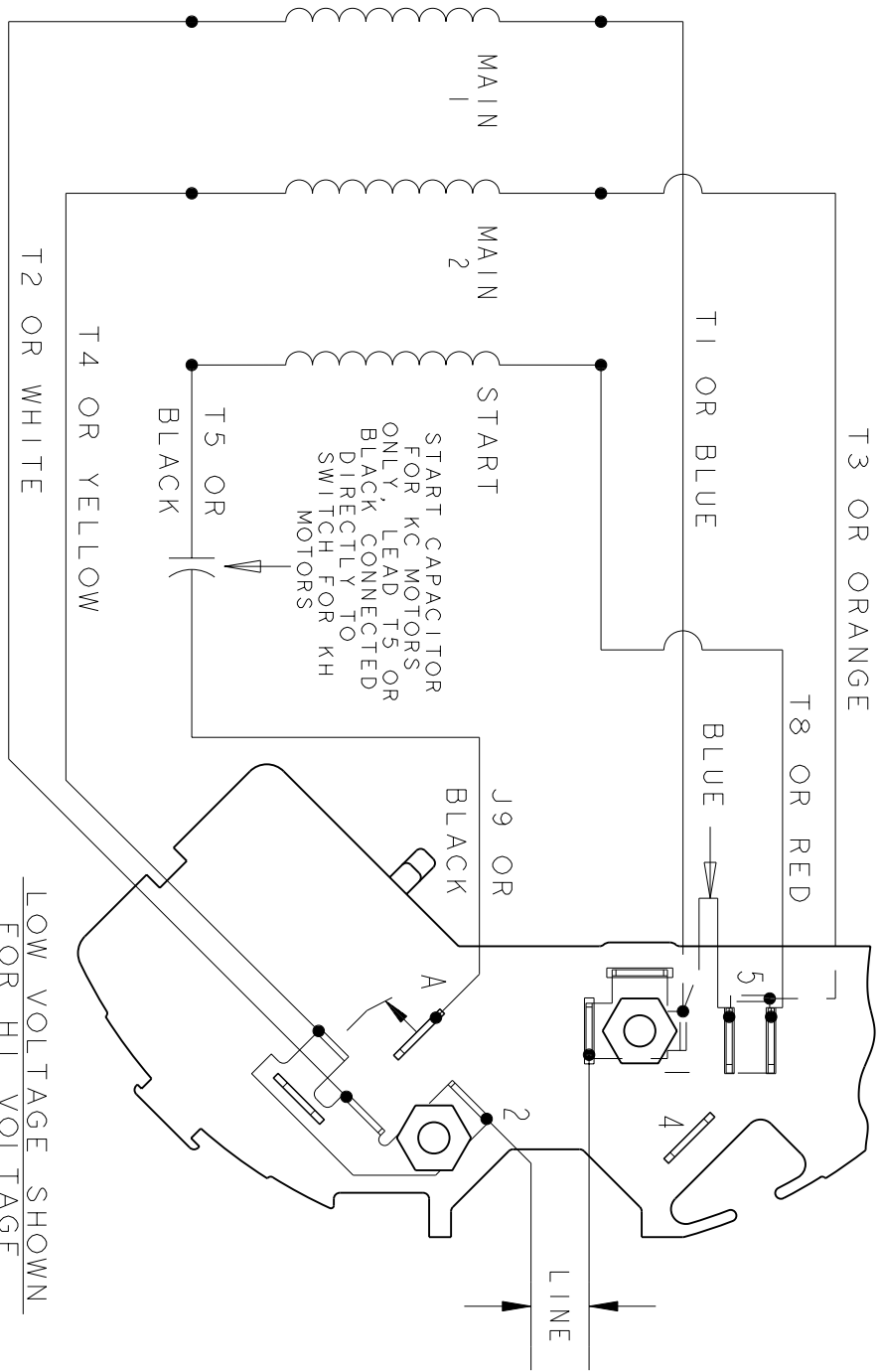
TITLE	SCALE: 0.250	REF. No.:	SHEET 1 of 1
SIZE DRAWING	A		
REV	52A107737	7	



THIRD ANGLE PROJECTION

REV.	DESCRIPTION	DATE	APPROVED
2	UPDATED FORMAT	01/04/06	MAM

EITHER ROTATION - DUAL VOLTAGE
TYPE KC OR KH
T3 OR ORANGE



START CAPACITOR FOR KC MOTORS ONLY. LEAD T5 OR BLACK CONNECTED DIRECTLY TO SWITCH FOR KH MOTORS

LOW VOLTAGE SHOWN FOR HI VOLTAGE
SEE NOTE #1

- NOTE #1 - FOR HI VOLTAGE REMOVE BLUE FROM TERMINAL #5 AND PLACE ON TERMINAL #4, REMOVE WHITE (T2) FROM TERMINAL #2 AND PLACE ON TERMINAL #5.
- NOTE #2 - TO REVERSE ROTATION INTERCHANGE RED (T8) AND BLACK (J9-KC OR T5-KH) LEADS.
- NOTE #3 - WHEN MORE THAN ONE CAPACITOR IS USED CONNECT IN PARALLEL.

REF. DIAG. - 121A852

SWITCH (C) - 115D958AB
CONNECTION LABEL - 52X332050

SIGNATURES		DATE
MODEL	M.D. PAPE	06/29/87
DETAIL	.	.
CHECKED	.	.
ENGRG	.	.
MFG	.	.
FOR ADDITIONAL INFO REFER TO:	QUALITY	.
APPLIED PRACTICES	ISSUED	M.D.P. 06/29/87
DIMENSIONS ARE IN INCHES		
MATERIAL	SOLID MODEL: 52A105381AA	



REGAL-BELOIT CORPORATION

TITLE CONNECTION DIAGRAM

FME: 30 FRAME SWITCH REDESIGN

SIZE	DRAWING	REV
A		2
SCALE: 1.000	REF. No.:	SHEET 1 of 1