

PRODUCT INFORMATION PACKET

Modal No: 5KC49GN0010Y
Catalog No: C169
1/2,1800,DP,56,1/60/115/208-230
Air Compressor



Regal and Marathon are trademarks of Regal Beloit Corporation or one of its affiliated companies.
©2017 Regal Beloit Corporation, All Rights Reserved. MC017097E

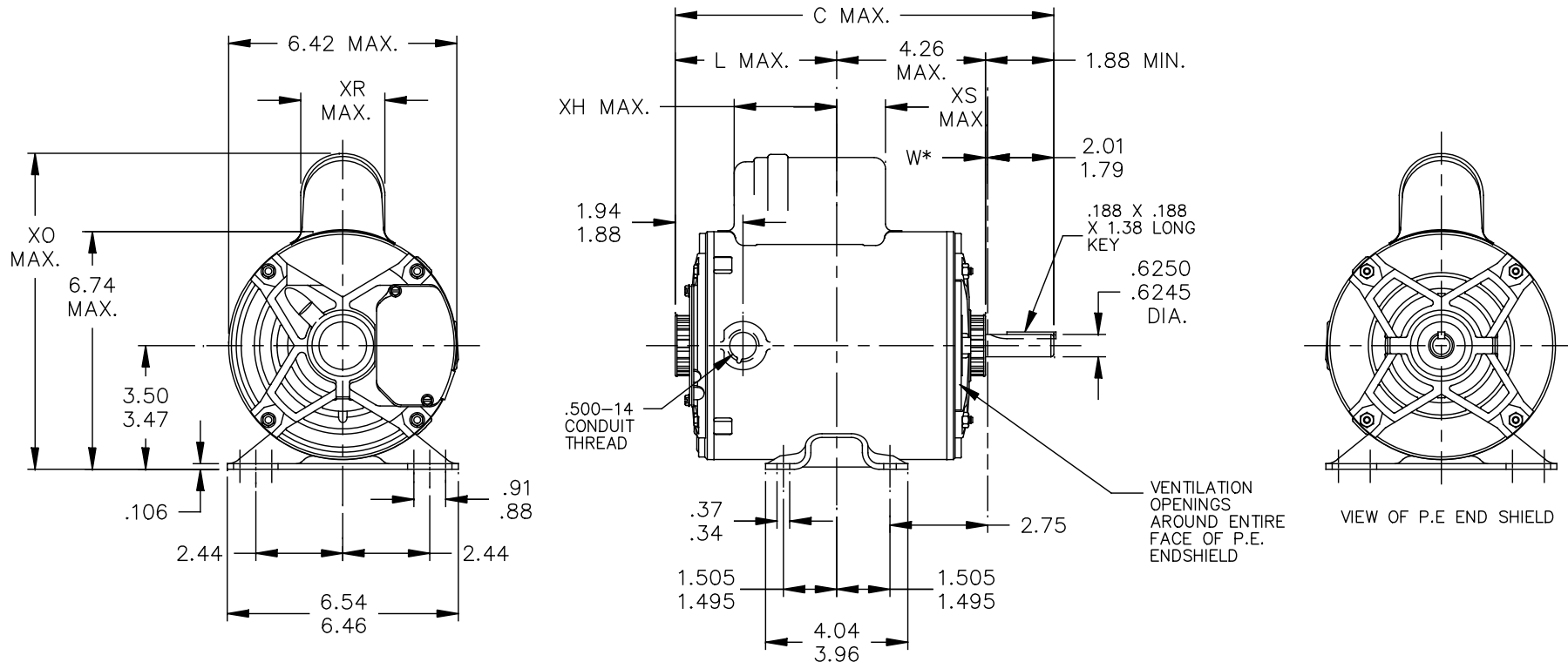


Nameplate Specifications

Output HP	0.5 Hp	Output KW	0.37 kW
Frequency	60 Hz	Voltage	115/230 V
Current	8.8,4.4 A	Speed	1725 rpm
Service Factor	1.25	Phases	1
Efficiency	60.9 %	Duty	CONT
Insulation Class	B	KVA Code	N
Frame	56	Enclosure	DP
Overload Protector	MAN	Ambient Temperature	40 °C
Drive End Bearing Size	6203	Opp Drive End Bearing Size	6203
UL	Recognized	CSA	Yes
CE	N		

Technical Specifications

Electrical Type	Capacitor start(CSIR)	Starting Method	SM
Poles	4	Rotation	CCW/CW
Mounting	WB	Motor Orientation	ANY
Drive End Bearing	BALL	Opp Drive End Bearing	BALL
Frame Material	Rolled Steel	Overall Length	10.38 in
Frame Length	6.15 in	Shaft Diameter	0.63 in
Shaft Extension	1.88 in		



W* IS A VARIABLE CLEARANCE DUE TO VARIATIONS IN PARTS AND ASSEMBLY.

10	KC	49	56	13.13	7.06	3.98	8.62	2.08	1.62	8.99	5	KC	49	56	11.91	5.75	4.16	8.94	2.40	2.12	7.68
9	KC	49	56	11.82	5.75	3.84	8.24	1.58	1.76	7.68	4	KC	49	56	10.38	4.22	2.63	8.94	2.40	1.91	6.15
8	KC	49	56	11.91	5.75	4.16	8.63	2.10	2.12	7.68	3	KC	49	56	11.38	5.22	3.63	8.94	2.40	2.12	7.15
7	KC	48	56	12.66	6.50	4.16	8.94	2.40	2.12	8.43	2	KC	42	56	9.95	3.79	2.20	8.94	2.40	2.34	5.72
6	KC	49	56	11.48	5.22	3.58	8.26	1.60	2.11	7.15	1	KC	46	56	10.78	4.62	2.97	8.94	2.40	2.70	6.55
P	TYPE	RBC SIZE	NEMA FR	"C"	"L"	"XH"	"XO"	"XR"	"XS"	MIN. SHELL	P	TYPE	RBC SIZE	NEMA FR	"C"	"L"	"XH"	"XO"	"XR"	"XS"	MIN. SHELL

										TOLERANCES UNLESS SPECIFIED												DRAWN MDP 10/23/90							
										DEC. INCHES												CHK							
										.X ±0.1												APPD MDP 04/11/96							
										.XX ±0.02		TITLE										SCALE 1=1							
										.XXX ±0.005		GENERAL PURPOSE MOTOR - BALL BEARING - WELDED BASE										REF							
										.XXXX ±0.0005		MAT'L.										FMF							
NO. REVISION										BY & DATE		CHK ANG ±1.0		FINISH										PREV					
THIS DRAWING IN DESIGN AND DETAIL IS OUR PROPERTY AND MUST NOT BE USED EXCEPT IN CONNECTION WITH OUR WORK ALL RIGHTS OF DESIGN AND INVENTION ARE RESERVED THIS IS AN ELECTRONICALLY GENERATED DOCUMENT - DO NOT SCALE THIS PRINT										RFP		CAD FILE		52A107630										SIZE		DRAWING NO.		REV.	
										DIST														A		52A107630		13	

