

PRODUCT INFORMATION PACKET

Modal No: 5KC49GN0022X
Catalog No: C1153
1/2,1800,DP,56,1/60/115/208-230
Open Drip Proof (ODP)



Regal and Marathon are trademarks of Regal Beloit Corporation or one of its affiliated companies.
©2017 Regal Beloit Corporation, All Rights Reserved. MC017097E

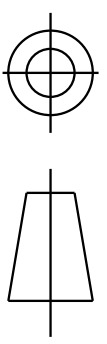


Nameplate Specifications

| | | | |
|------------------------|----------------------|----------------------------|----------------------|
| Output HP | 0.5 Hp | Output KW | 0.37 kW |
| Frequency | 60 Hz | Voltage | 115/208-230 V |
| Current | 8.6,4.1-4.3 A | Speed | 1725 rpm |
| Service Factor | 1.25 | Phases | 1 |
| Efficiency | 52.5 % | Duty | CONT |
| Insulation Class | B | KVA Code | K |
| Frame | 56 | Enclosure | DP |
| Overload Protector | AUTO | Ambient Temperature | 40 °C |
| Drive End Bearing Size | 6203 | Opp Drive End Bearing Size | 6203 |
| UL | Recognized | CSA | Yes |
| CE | N | | |

Technical Specifications

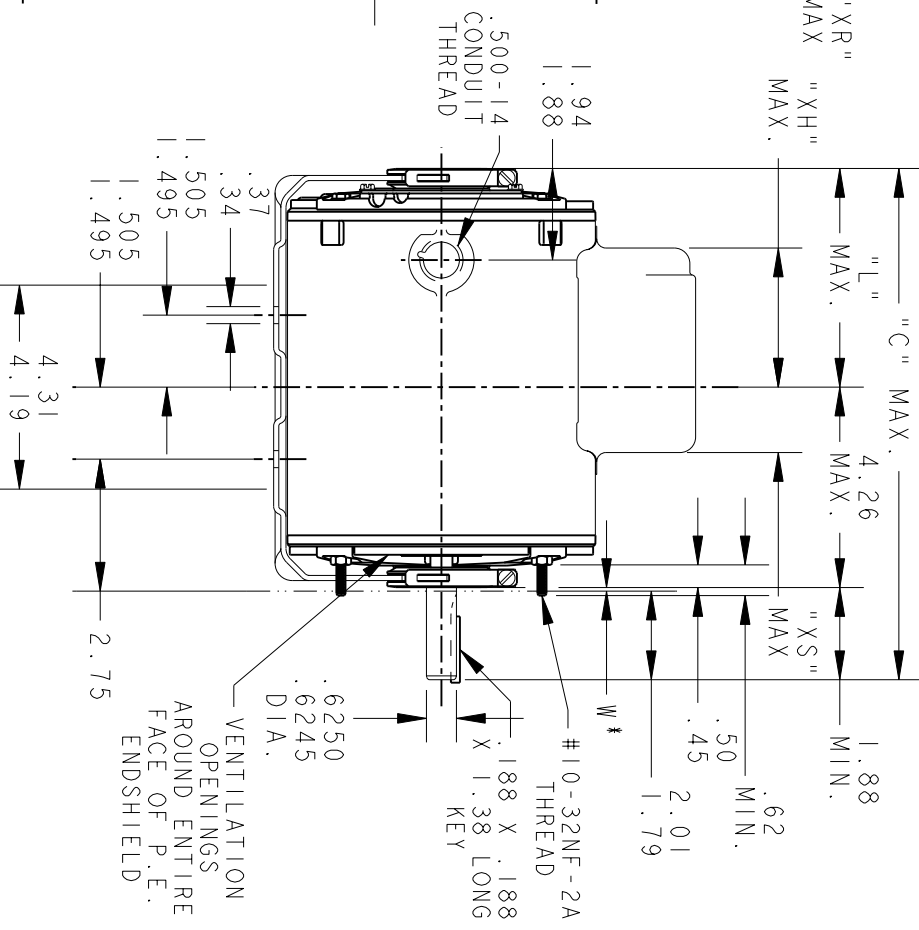
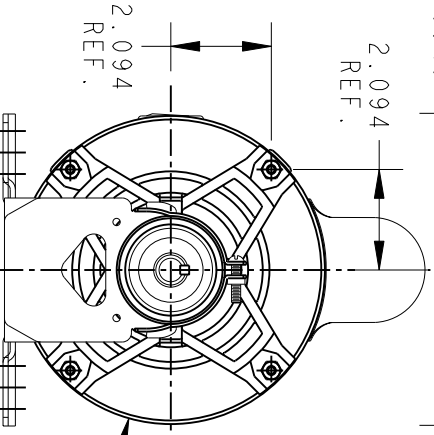
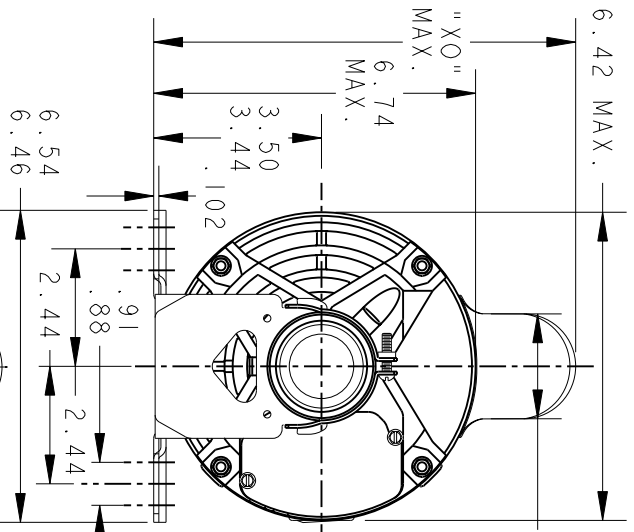
| | | | |
|-------------------|------------------------------|-----------------------|-----------------|
| Electrical Type | Capacitor start(CSIR) | Starting Method | SM |
| Poles | 4 | Rotation | CCW/CW |
| Mounting | RB | Motor Orientation | ANY |
| Drive End Bearing | BALL | Opp Drive End Bearing | BALL |
| Frame Material | Rolled Steel | Overall Length | 10.38 in |
| Frame Length | 6.15 in | Shaft Diameter | 0.63 in |
| Shaft Extension | 1.88 in | | |



| REV. | DESCRIPTION | DATE | APPROVED |
|------|----------------------------------|----------|-----------|
| 7 | UPDATED PT# 10 PER ISAAC 06-0996 | 05/17/06 | PRAVEEN.K |

52A107737 7

SIZE A DRAWING NO.



ALL DIMENSIONS ARE IN INCHES

| | | | | | | | | | | | |
|----|------|------|------|-------|------|------|------|------|------|--|------------|
| 10 | KC | 49 | 56 | 10.38 | 4.22 | 2.72 | 8.84 | 2.22 | 2.72 | | 6.15 |
| 9 | KC | 48 | 56 | 12.66 | 6.50 | 3.40 | 8.22 | 1.60 | 2.29 | | 8.43 |
| 8 | KC | 46 | 56 | 10.78 | 4.62 | 2.44 | 8.84 | 2.22 | 2.10 | | 6.55 |
| 7 | KC | 49 | 56 | 10.38 | 4.22 | 2.63 | 8.22 | 1.60 | 1.91 | | 6.15 |
| 6 | KC | 49 | 56 | 11.38 | 5.22 | 3.63 | 8.22 | 1.60 | 2.12 | | 7.15 |
| 5 | KC | 46 | 56 | 10.78 | 4.62 | 3.03 | 8.22 | 1.60 | 1.51 | | 6.55 |
| 4 | KC | 42 | 56 | 9.95 | 3.79 | 2.20 | 8.22 | 1.60 | 2.34 | | 5.72 |
| 3 | KC | 49 | 56 | 11.38 | 5.22 | 3.63 | 8.94 | 2.40 | 2.12 | | 7.15 |
| 2 | KC | 42 | 56 | 9.95 | 3.79 | 2.20 | 8.84 | 2.22 | 2.34 | | 5.72 |
| 1 | KC | 46 | 56 | 10.78 | 4.62 | 3.03 | 8.84 | 2.22 | 1.51 | | 6.55 |
| P | TYPE | GE | NEMA | "C" | "L" | "XH" | "XO" | "XR" | "XS" | | MIN. SHELL |
| | | SIZE | FR. | | | | | | | | |

| SIGNATURES | | DATE |
|-------------------------------|--------------|-------------------|
| MODEL | M.D.PAPE | 10/10/91 |
| DETAIL | | |
| CHECKED | | |
| ENGRG | | |
| FOR ADDITIONAL INFO REFER TO: | | |
| APPLIED PRACTICES | QUALITY | |
| DIMENSIONS ARE IN INCHES | ISSUED | M.D.PAPE 05/17/99 |
| MATERIAL | SOLID MODEL: | 52A107737 |



REGAL-BELOIT CORPORATION

OUTLINE

TITLE
GENERAL PURPOSE MOTOR DRIP PROOF - BALL BEARING
 - RESILIENT BASE EXTENDED CLAMP SCREWS FINE - 40 FRAME REDESIGN (SKC426N0022X)

SIZE DRAWING A
 SCALE: 0.250 REF. No.:
52A107737
 REV 7

SHEET 1 of 1

