

# PRODUCT INFORMATION PACKET

Modal No: 5KC49NN0061T  
Catalog No: 4688  
1,1725,DP,56Z,1/60/115/208-230  
Fan and Blower



Regal and Marathon are trademarks of Regal Beloit Corporation or one of its affiliated companies.  
©2017 Regal Beloit Corporation, All Rights Reserved. MC017097E



## Nameplate Specifications

Output HP	<b>1 Hp</b>	Output KW	<b>0.75 kW</b>
Frequency	<b>60 Hz</b>	Voltage	<b>115/208-230 V</b>
Current	<b>14.4,7.2-7.2 A</b>	Speed	<b>1725 rpm</b>
Service Factor	<b>1</b>	Phases	<b>1</b>
Efficiency	<b>69 %</b>	Duty	<b>CONT</b>
Insulation Class	<b>B</b>	KVA Code	<b>J</b>
Frame	<b>56Z</b>	Enclosure	<b>DP</b>
Overload Protector	<b>AUTO</b>	Ambient Temperature	<b>40 °C</b>
Drive End Bearing Size	<b>6203</b>	Opp Drive End Bearing Size	<b>6203</b>
UL	<b>Recognized</b>	CSA	<b>Yes</b>
CE	<b>N</b>		

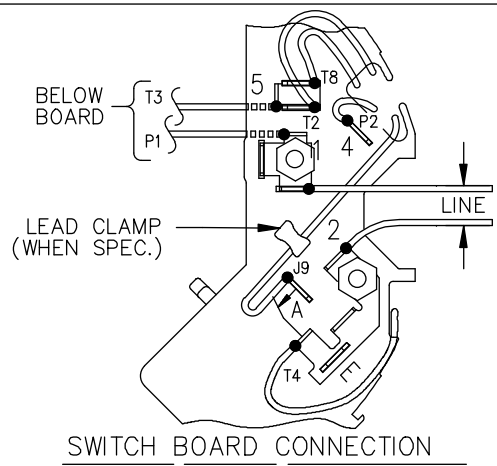
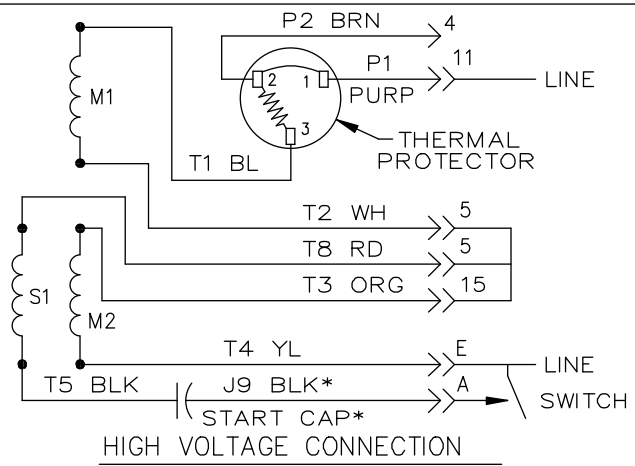
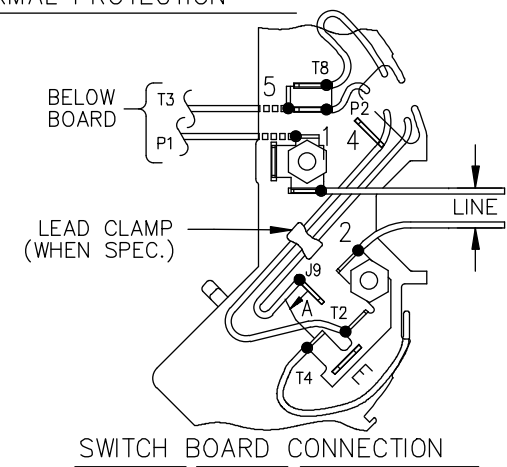
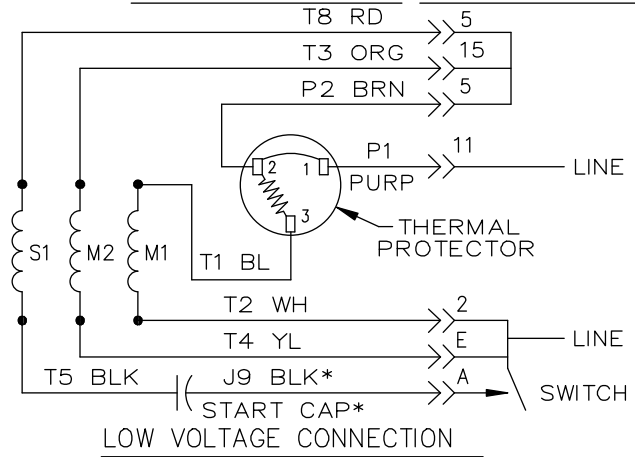
## Technical Specifications

Electrical Type	<b>Capacitor start(CSIR)</b>	Starting Method	<b>SM</b>
Poles	<b>4</b>	Rotation	<b>CCW/CW</b>
Mounting	<b>RB</b>	Motor Orientation	<b>ANY</b>
Drive End Bearing	<b>BALL</b>	Opp Drive End Bearing	<b>BALL</b>
Frame Material	<b>Rolled Steel</b>	Overall Length	<b>10.77 in</b>
Frame Length	<b>7.15 in</b>	Shaft Diameter	<b>0.63 in</b>
Shaft Extension	<b>2.25 in</b>	Thru-bolts Extension	<b>0</b>



52A105383AA

EITHER ROTATION, DUAL VOLTAGE, TYPE KC OR KH, WITH THERMAL PROTECTION



NOTE #1 - START CAP & J9 WHEN SPECIFIED (\*). IF NO CAPACITOR (KH), CONNECT T5 DIRECTLY TO SWITCH (A). WHEN MORE THAN ONE CAPACITOR IS USED, CONNECT IN PARALLEL.

NOTE #2 - TO REVERSE ROTATION, INTER CHANGE RD(T8) AND BLK(J9-KC OR T5-KH) LEADS.

SWITCH REF. - 115D958AB	CONNECTION LABEL	CCW ROTATION: NP52X332051AA
		CW ROTATION: NP52X332051AC

NO.	REVISION	BY & DATE	CHK	TOLERANCES UNLESS SPECIFIED		FINISH	TITLE	DRAWN M.D.P 06/29/87
				DEC.	INCHES			
				.X	±0.1		REGAL-BELOIT CORPORATION	CHK
				.XX	±0.02		CONNECTION DIAGRAM	APPD M.D.P 03/26/96
				.XXX	±0.005		30 FRAME SWITCH REDESIGN	SCALE 1=1
5	ADDED CONNECTION LABEL PER ECO-0030779	UD 02/06/13	PKG	.XXX	±0.005			REF
4	UPDATED PER ISO7-0150	MD 01/23/07		.XXXX	±0.0005	MAT'L.		FMF
				ANG	±1.0	4 of 4		PREV