

# PRODUCT INFORMATION PACKET

Modal No: 5KC49NN0224X  
Catalog No: C1187  
3/4, 1425, DP, 56, 1/50/110/220  
Open Drip Proof (ODP)



Regal and Marathon are trademarks of Regal Beloit Corporation or one of its affiliated companies.  
©2017 Regal Beloit Corporation, All Rights Reserved. MC017097E



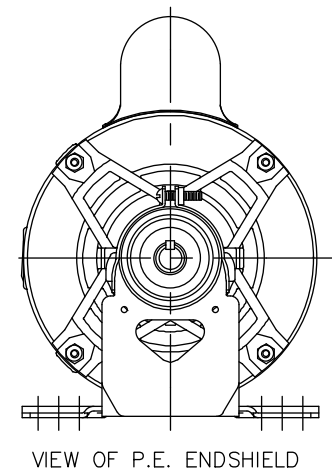
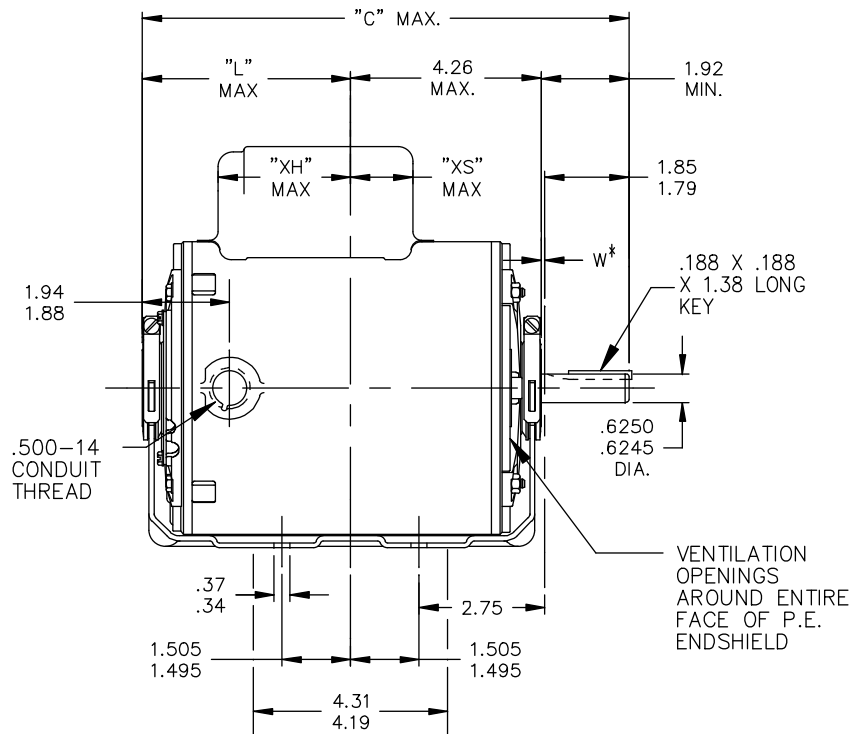
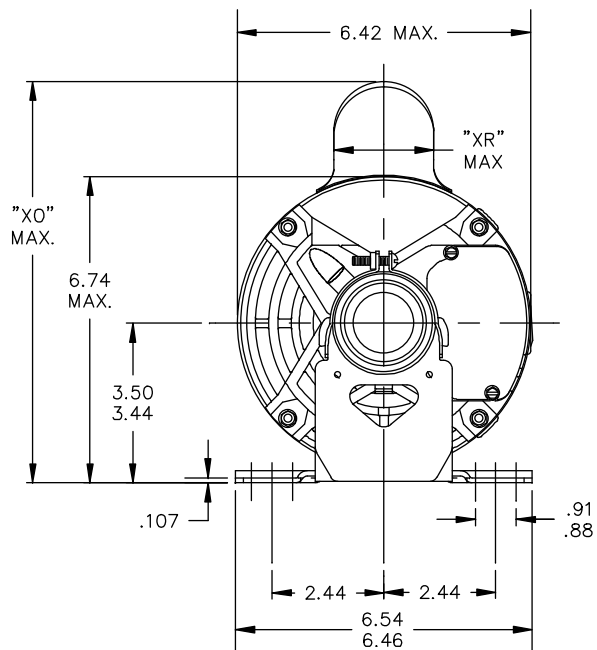
## Nameplate Specifications

Output HP	<b>0.75 Hp</b>	Output KW	<b>0.56 kW</b>
Frequency	<b>50 Hz</b>	Voltage	<b>110/220 V</b>
Current	<b>12.2,6.1 A</b>	Speed	<b>1425 rpm</b>
Service Factor	<b>1.25</b>	Phases	<b>1</b>
Efficiency	<b>68 %</b>	Duty	<b>CONT</b>
Insulation Class	<b>B</b>	KVA Code	<b>M</b>
Frame	<b>56</b>	Enclosure	<b>DP</b>
Overload Protector	<b>AUTO</b>	Ambient Temperature	<b>40 °C</b>
Drive End Bearing Size	<b>6203</b>	Opp Drive End Bearing Size	<b>6203</b>
UL	<b>Recognized</b>	CSA	<b>Yes</b>
CE	<b>N</b>		

## Technical Specifications

Electrical Type	<b>Capacitor start(CSIR)</b>	Starting Method	<b>SM</b>
Poles	<b>4</b>	Rotation	<b>CCW/CW</b>
Mounting	<b>RB</b>	Motor Orientation	<b>ANY</b>
Drive End Bearing	<b>BALL</b>	Opp Drive End Bearing	<b>BALL</b>
Frame Material	<b>Rolled Steel</b>	Overall Length	<b>11.38 in</b>
Frame Length	<b>7.15 in</b>	Shaft Diameter	<b>0.63 in</b>
Shaft Extension	<b>1.88 in</b>		

52A107622



VENTILATION OPENINGS AROUND ENTIRE FACE OF P.E. ENDSHIELD

CONTINUED ON 52A107799

\*W IS A VARIABLE CLEARANCE DUE TO VARIATIONS IN PARTS AND ASSEMBLY

ALL DIMENSIONS ARE IN INCHES

8	KC	49	56	11.38	5.22	3.63	8.62	2.08	2.12		7.15
7	KC	46	56	10.78	4.62	2.18	8.94	2.40	2.36		6.55
6	KC	49	56	11.38	5.22	3.63	8.22	1.60	2.12		7.15
5	KC	46	56	10.78	4.62	3.03	8.22	1.60	2.73		6.55
4	KC	42	56	9.95	3.79	2.20	8.22	1.60	2.34		5.72
3	KC	49	56	11.38	5.22	3.63	8.94	2.40	2.12		7.15
2	KC	42	56	9.95	3.79	2.20	8.94	2.40	2.34		5.72
1	KC	46	56	10.78	4.62	3.03	8.94	2.40	2.73		6.55
P	TYPE	FR SIZE	NEMA FR.	"C"	"L"	"XH"	"XO"	"XR"	"XS"		MIN. SHELL

TOLERANCES UNLESS SPECIFIED

DEC. INCHES

.X ±.1

.XX ±.03

.XXX ±.005

.XXXX ±.0005

ANG ±1/2"



REGAL-BELOIT CORPORATION

TITLE OUTLINE GENERAL PURPOSE MOTOR DRIP PROOF

MAT'L.

FINISH

3 of 4

DRAWN M.D.P 09/17/90

CHK M.D.P 09/17/90

APPD

SCALE 3=8

REF

FMF

PREV

13 ADDED PART # 8 PER SAMPLE DS13-2295

UD 06/21/13 GRB

.XXX ±.005

12 CHG "XS" DIMENSION PER IS08-2395

MD 07/01/08

.XXXX ±.0005

NO. REVISION

BY & DATE

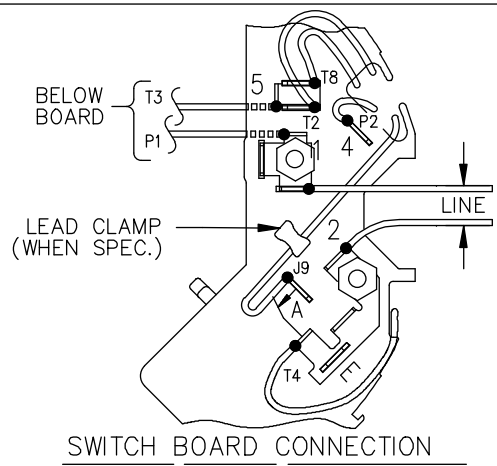
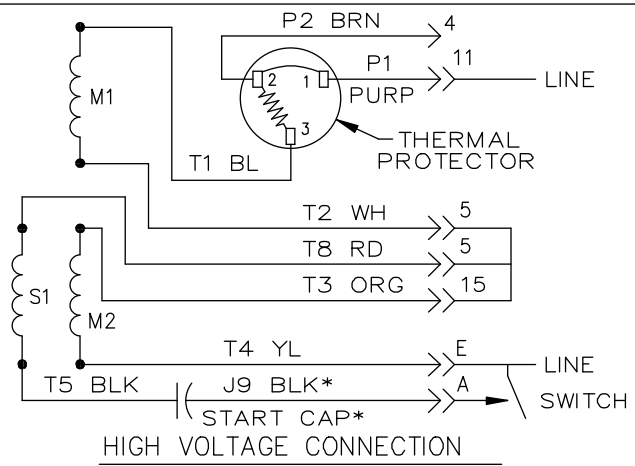
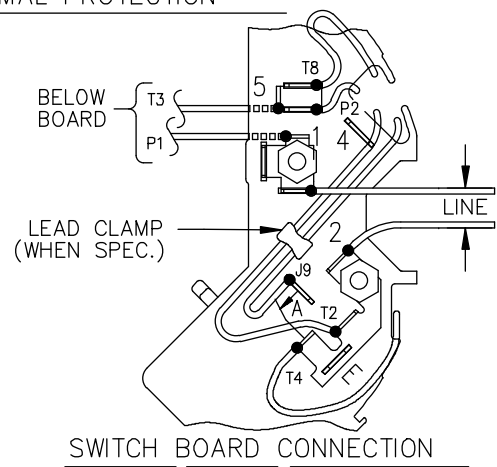
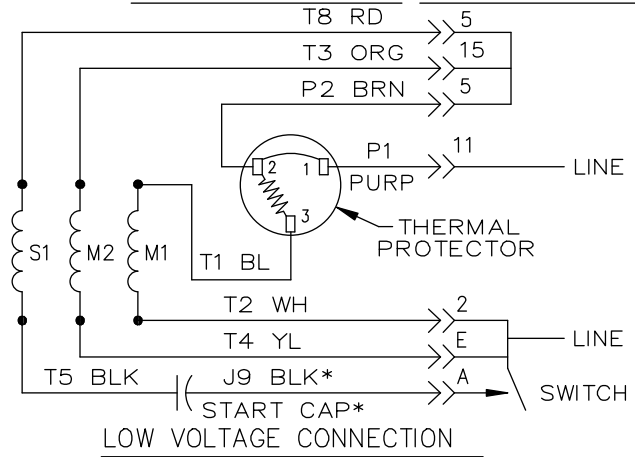
CHK

ANG ±1/2"

FINISH

52A105383AA


EITHER ROTATION, DUAL VOLTAGE, TYPE KC OR KH, WITH THERMAL PROTECTION



NOTE #1 - START CAP & J9 WHEN SPECIFIED (\*). IF NO CAPACITOR (KH), CONNECT T5 DIRECTLY TO SWITCH (A). WHEN MORE THAN ONE CAPACITOR IS USED, CONNECT IN PARALLEL.

NOTE #2 - TO REVERSE ROTATION, INTER CHANGE RD(T8) AND BLK(J9-KC OR T5-KH) LEADS.

SWITCH REF. - 115D958AB	CONNECTION LABEL	CCW ROTATION: NP52X332051AA
		CW ROTATION: NP52X332051AC

NO.	REVISION	BY & DATE	CHK	TOLERANCES UNLESS SPECIFIED		TITLE	DRAWN M.D.P 06/29/87
				DEC.	INCHES		
				.X	±0.1	 <b>REGAL-BELOIT CORPORATION</b> CONNECTION DIAGRAM 30 FRAME SWITCH REDESIGN	CHK
				.XX	±0.02		APPD M.D.P 03/26/96
5	ADDED CONNECTION LABEL PER ECO-0030779	UD 02/06/13	PKG	.XXX	±0.005		SCALE 1=1
4	UPDATED PER ISO7-0150	MD 01/23/07		.XXXX	±0.0005		REF
				ANG	±1.0		FINISH