

PRODUCT INFORMATION PACKET

Modal No: 5KC49NN2130Y
Catalog No: C274
1,3600,TEFC,56,1/60/115/230
Totally Enclosed Fan Cooled (TEFC)



Regal and Marathon are trademarks of Regal Beloit Corporation or one of its affiliated companies.
©2017 Regal Beloit Corporation, All Rights Reserved. MC017097E

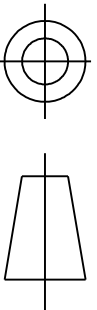


Nameplate Specifications

Output HP	1 Hp	Output KW	0.75 kW
Frequency	60 Hz	Voltage	115/230 V
Current	13.0,6.5 A	Speed	3450 rpm
Service Factor	1.15	Phases	1
Efficiency	68.5 %	Duty	CONT
Insulation Class	B	Design Code	-
KVA Code	L	Frame	56
Enclosure	TEFC	Overload Protector	MAN
Ambient Temperature	40 °C	Drive End Bearing Size	6203
Opp Drive End Bearing Size	6203	UL	Recognized
CSA	Yes	CE	N

Technical Specifications

Electrical Type	Capacitor start(CSIR)	Starting Method	SM
Poles	2	Rotation	CCW/CW
Mounting	WB	Motor Orientation	ANY
Drive End Bearing	BALL	Opp Drive End Bearing	BALL
Frame Material	Rolled Steel	Overall Length	12.43 in
Frame Length	7.15 in	Shaft Diameter	0.63 in
Shaft Extension	1.88 in		

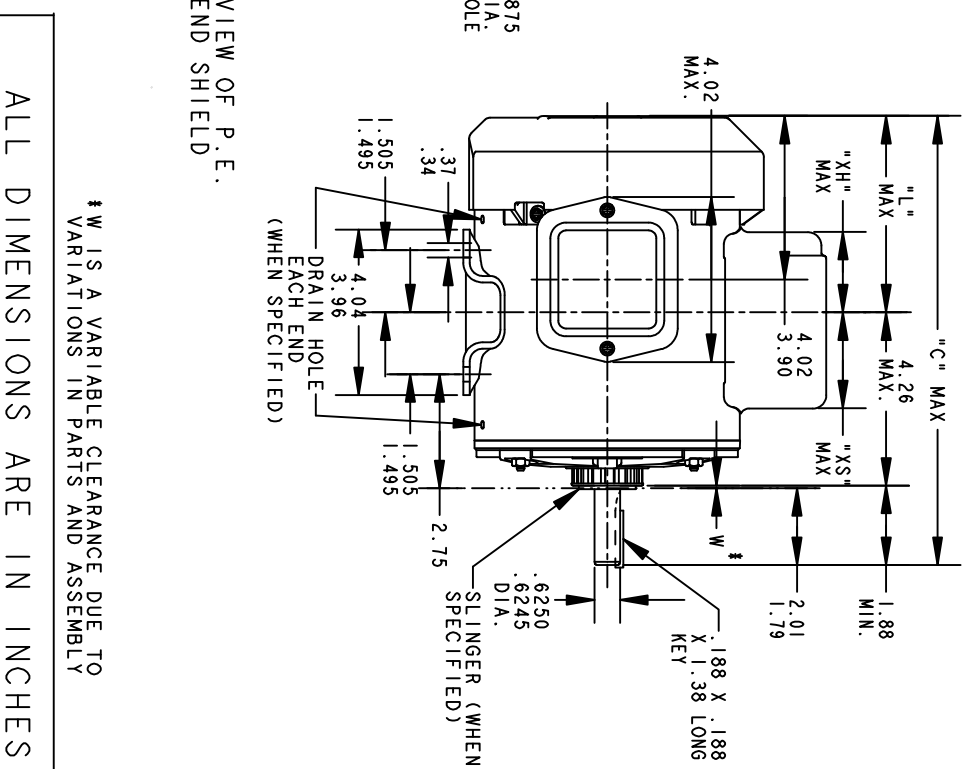
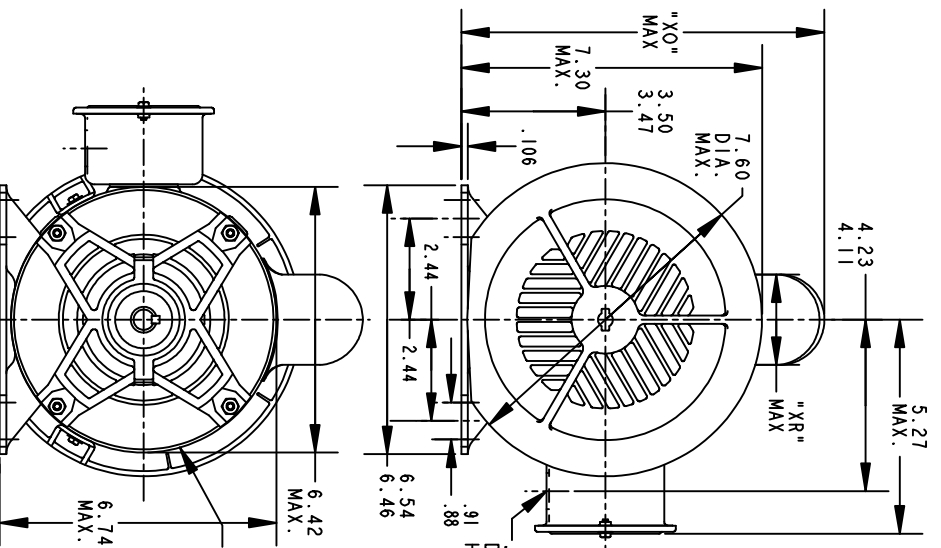


THIRD ANGLE PROJECTION

REVISIONS

REV.	DESCRIPTION	DATE	APPROVED
16	AADED PT# 9 PER DSI0-0516	05/07/10	PRAVEEN.K

REV 15
 SHEET 1
 52A107631
 DRAWING NO. A
 SIZE A



VIEW OF P. E. END SHIELD

ALL DIMENSIONS ARE IN INCHES

*W IS A VARIABLE CLEARANCE DUE TO VARIATIONS IN PARTS AND ASSEMBLY

9	8	7	6	5	4	3	2	1	P
KC	KC	KC	KC	KC	KC	KC	KC	KC	T
49	48	49	49	49	49	46	46	42	GE
56	56	56	56	56	56	56	56	56	SIZE
12.96	13.71	11.43	12.43	12.43	12.96	11.83	11.83	11.00	NEMA
6.81	6.05	5.28	6.28	6.28	6.81	5.68	5.68	4.85	FR.
3.58	4.33	2.00	3.51	3.51	3.58	2.91	2.91	2.08	"C"
8.24	8.26	8.26	8.22	8.94	8.94	8.94	8.84	8.84	"L"
1.60	2.40	1.60	1.60	2.40	2.40	2.40	2.22	2.22	"XH"
2.17	2.92	2.48	2.24	2.24	2.17	2.84	1.63	2.46	"XO"
7.68	8.43	6.15	7.15	7.15	7.68	6.55	6.55	5.72	"XR"
									"XS"
									MIN. SHELL

SIGNATURES		DATE
MODEL	M.D. PAPE	10/23/90
DETAIL		
CHECKED		
ENGRG		
MFG		
QUALITY		
ISSUED	M.D. PAPE	04/27/94

REGAL-BELOIT CORPORATION

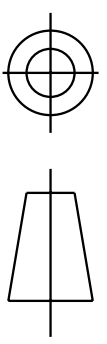
REGAL

OUTLINE
 GENERAL PURPOSE MOTOR TEFC - BALL BEARING - WELDED BASE FWF - 40 FRAME REDESIGN

SIZE A
 SCALE: 0.250
 REF. No.:
 52A107631
 REV 15

MATERIAL:
 FOR ADDITIONAL INFO REFER TO:
 APPLIED PRACTICES:
 DIMENSIONS ARE IN INCHES:
 SOLID MODEL: 52A107631

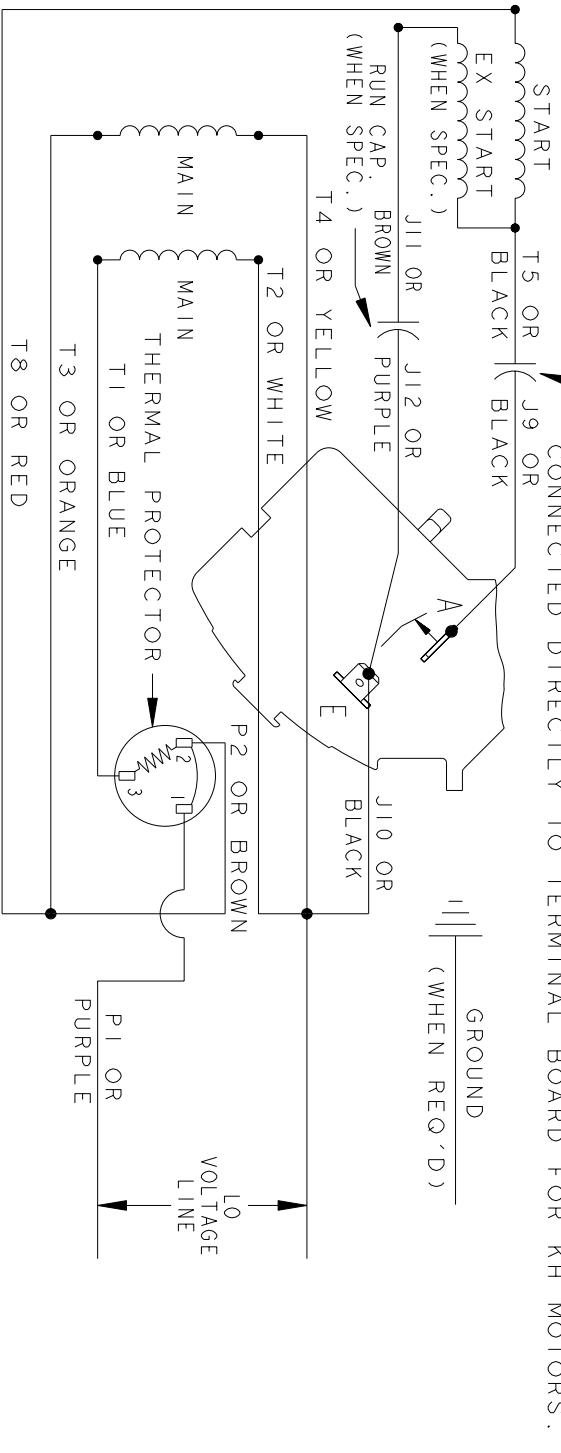
TITLE
 REGAL-BELOIT CORPORATION
 52A107631
 SHEET 1 OF 1



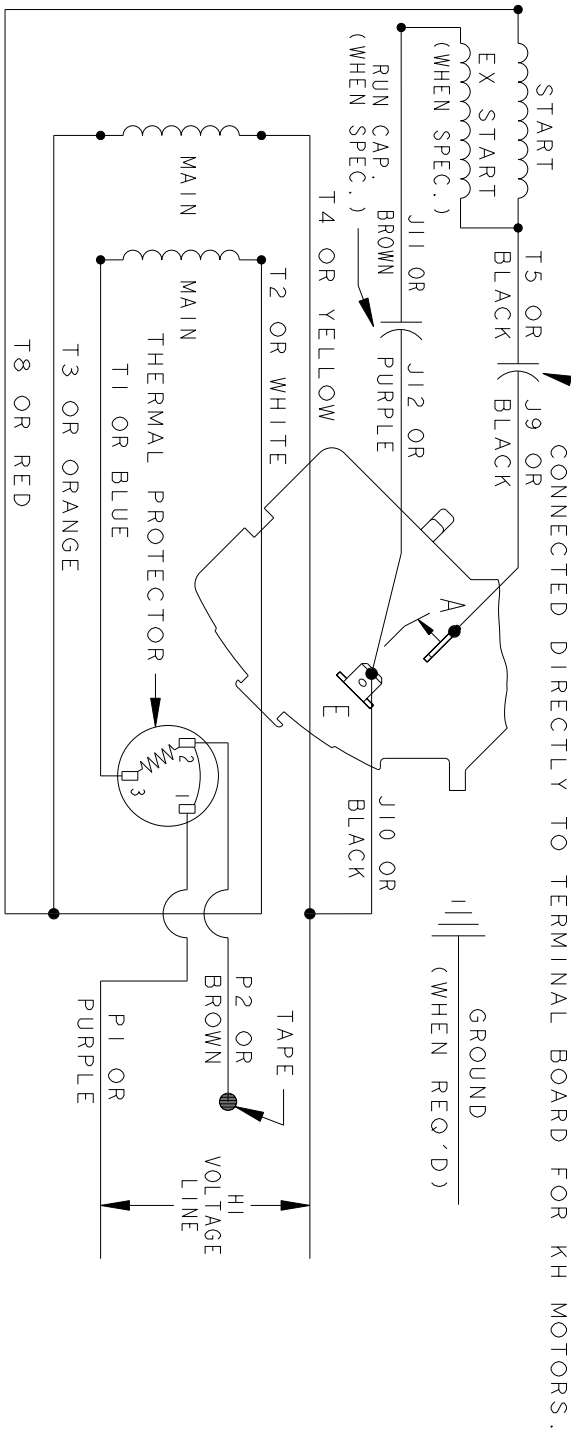
REV.	DESCRIPTION	DATE	APPROVED
7	UPDATED FORMAT	01/05/06	MAM

CCW/CW ROTATION - DUAL VOLTAGE
TYPE KC, KH OR KCR - WITH THERMAL PROTECTOR

CAPACITOR AS SHOWN FOR KC MOTORS ONLY. LEAD T5 BLACK CONNECTED DIRECTLY TO TERMINAL BOARD FOR KH MOTORS.



CAPACITOR AS SHOWN FOR KC MOTORS ONLY. LEAD T5 BLACK CONNECTED DIRECTLY TO TERMINAL BOARD FOR KH MOTORS.



NOTE#1 - TO REVERSE ROTATION, INTERCHANGE T8 RED AND J10 BLACK LEADS.
NOTE#2 - WHEN MORE THAN ONE CAPACITOR IS USED, CONNECT IN PARALLEL.
NOTE#3 - 115D958ABP5 - HIGH CURRENT CONTACTS.

SWITCH (C) - 115D958ABP5, SWITCH (H) - 115D958AA (USE 115D958DA FOR EP)

REF. DIAG. - 113A327, 119A9352 & 52A102102 CONNECTION LABEL - 52X332912

SIGNATURES		DATE	TITLE		
MODEL	M.D.P.	06/29/87	<p>REGAL-BELOIT CORPORATION</p> <p>CONNECTION DIAGRAM</p>		
DETAIL					
CHECKED					
ENGRG					
FOR ADDITIONAL INFO REFER TO:		MFG	<p>FME: 30 FRAME SWITCH REDESIGN</p> <p>SIZE DRAWING</p> <p>52A105383BA</p>		
APPLIED PRACTICES	QUALITY				
DIMENSIONS ARE IN INCHES	ISSUED	M.D.P.			
MATERIAL	SOLID MODEL: 52A105383BA	12/11/97	SCALE: 1.000	REF. No.:	SHEET 1 of 1