

PRODUCT INFORMATION PACKET

Modal No: 5KC49PN0161U
Catalog No: C1480
1,1725,DP,56,1/60/115/230
Pressure Washers



Regal and Marathon are trademarks of Regal Beloit Corporation or one of its affiliated companies.
©2017 Regal Beloit Corporation, All Rights Reserved. MC017097E

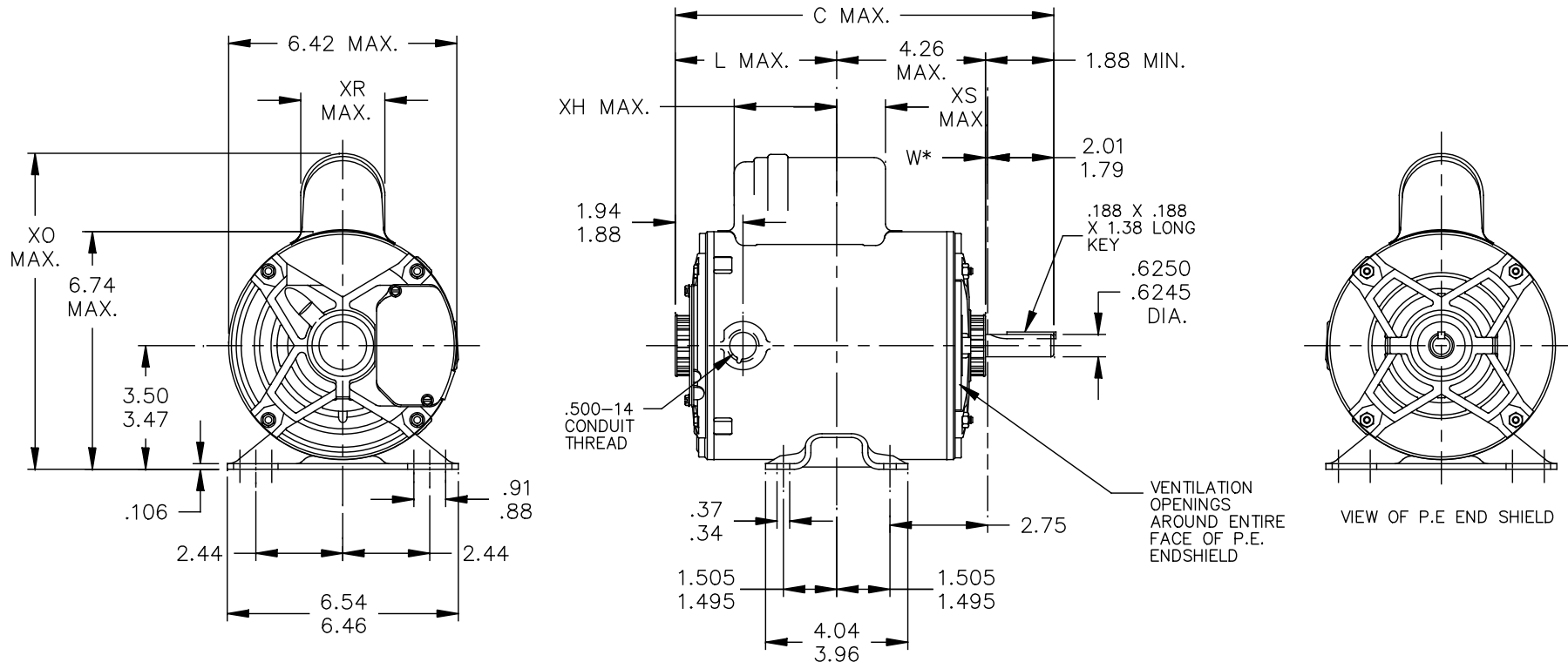


Nameplate Specifications

Output HP	1 Hp	Output KW	0.75 kW
Frequency	60 Hz	Voltage	115/230 V
Current	13.6,6.8 A	Speed	1725 rpm
Service Factor	1.15	Phases	1
Efficiency	68 %	Duty	CONT
Insulation Class	B	KVA Code	K
Frame	56	Enclosure	DP
Overload Protector	MAN	Ambient Temperature	40 °C
Drive End Bearing Size	6203	Opp Drive End Bearing Size	6203
UL	Recognized	CSA	Yes
CE	N		


Technical Specifications

Electrical Type	Capacitor start(CSIR)	Starting Method	SM
Poles	4	Rotation	CCW/CW
Mounting	WB	Motor Orientation	ANY
Drive End Bearing	BALL	Opp Drive End Bearing	BALL
Frame Material	Rolled Steel	Overall Length	11.38 in
Frame Length	7.15 in	Shaft Diameter	0.63 in
Shaft Extension	1.88 in		



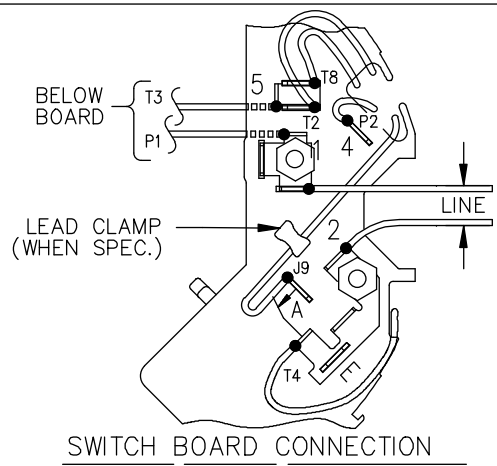
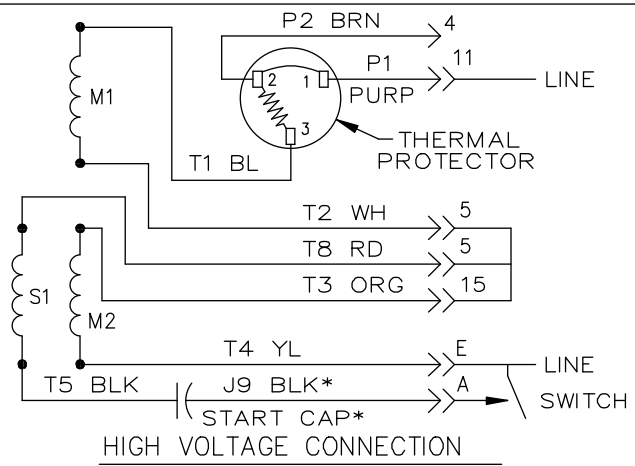
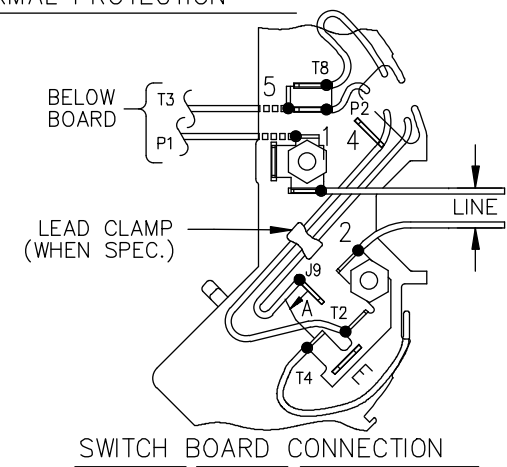
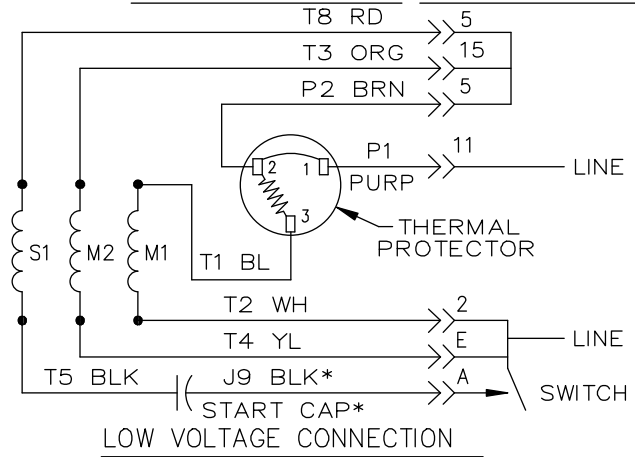
W* IS A VARIABLE CLEARANCE DUE TO VARIATIONS IN PARTS AND ASSEMBLY.

10	KC	49	56	13.13	7.06	3.98	8.62	2.08	1.62	8.99	5	KC	49	56	11.91	5.75	4.16	8.94	2.40	2.12	7.68
9	KC	49	56	11.82	5.75	3.84	8.24	1.58	1.76	7.68	4	KC	49	56	10.38	4.22	2.63	8.94	2.40	1.91	6.15
8	KC	49	56	11.91	5.75	4.16	8.63	2.10	2.12	7.68	3	KC	49	56	11.38	5.22	3.63	8.94	2.40	2.12	7.15
7	KC	48	56	12.66	6.50	4.16	8.94	2.40	2.12	8.43	2	KC	42	56	9.95	3.79	2.20	8.94	2.40	2.34	5.72
6	KC	49	56	11.48	5.22	3.58	8.26	1.60	2.11	7.15	1	KC	46	56	10.78	4.62	2.97	8.94	2.40	2.70	6.55
P	TYPE	RBC SIZE	NEMA FR	"C"	"L"	"XH"	"XO"	"XR"	"XS"	MIN. SHELL	P	TYPE	RBC SIZE	NEMA FR	"C"	"L"	"XH"	"XO"	"XR"	"XS"	MIN. SHELL

										TOLERANCES UNLESS SPECIFIED		 REGAL-BELOIT CORPORATION DRAWN MDP 10/23/90 CHK APPD MDP 04/11/96 SCALE 1=1 REF FMF PREV												
										DEC.	INCHES													
										.X	±0.1	TITLE OUTLINE GENERAL PURPOSE MOTOR - BALL BEARING - WELDED BASE												
										.XX	±0.02													
										.XXX	±0.005	MAT'L. FINISH												
										.XXXX	±0.0005													
NO.	REVISION							BY & DATE	CHK	ANG	±1.0	RFP				CAD FILE				52A107630	SIZE	DRAWING NO.		REV.
										DIST						A				52A107630		13		
THIS DRAWING IN DESIGN AND DETAIL IS OUR PROPERTY AND MUST NOT BE USED EXCEPT IN CONNECTION WITH OUR WORK ALL RIGHTS OF DESIGN AND INVENTION ARE RESERVED THIS IS AN ELECTRONICALLY GENERATED DOCUMENT - DO NOT SCALE THIS PRINT																								

52A105383AA

EITHER ROTATION, DUAL VOLTAGE, TYPE KC OR KH, WITH THERMAL PROTECTION



NOTE #1 - START CAP & J9 WHEN SPECIFIED (*). IF NO CAPACITOR (KH), CONNECT T5 DIRECTLY TO SWITCH (A). WHEN MORE THAN ONE CAPACITOR IS USED, CONNECT IN PARALLEL.

NOTE #2 - TO REVERSE ROTATION, INTER CHANGE RD(T8) AND BLK(J9-KC OR T5-KH) LEADS.

SWITCH REF. - 115D958AB	CONNECTION LABEL	CCW ROTATION: NP52X332051AA
		CW ROTATION: NP52X332051AC

NO.	REVISION	BY & DATE	CHK	TOLERANCES UNLESS SPECIFIED		TITLE	DRAWN M.D.P 06/29/87
				DEC.	INCHES		
				.X	±0.1	REGAL-BELOIT CORPORATION REGAL-BELOIT CORPORATION	CHK
				.XX	±0.02		APPD M.D.P 03/26/96
5	ADDED CONNECTION LABEL PER ECO-0030779	UD 02/06/13	PKG	.XXX	±0.005	CONNECTION DIAGRAM	SCALE 1=1
4	UPDATED PER ISO7-0150	MD 01/23/07		.XXXX	±0.0005	30 FRAME SWITCH REDESIGN	REF
				ANG	±1.0	MAT'L.	FMF
						FINISH 4 of 4	PREV